



SECTION G
PART 1 OF 2

CONTRACT DRAWINGS

**CAMP SWITZERLAND LIFT
STATION PROJECT**

FOR

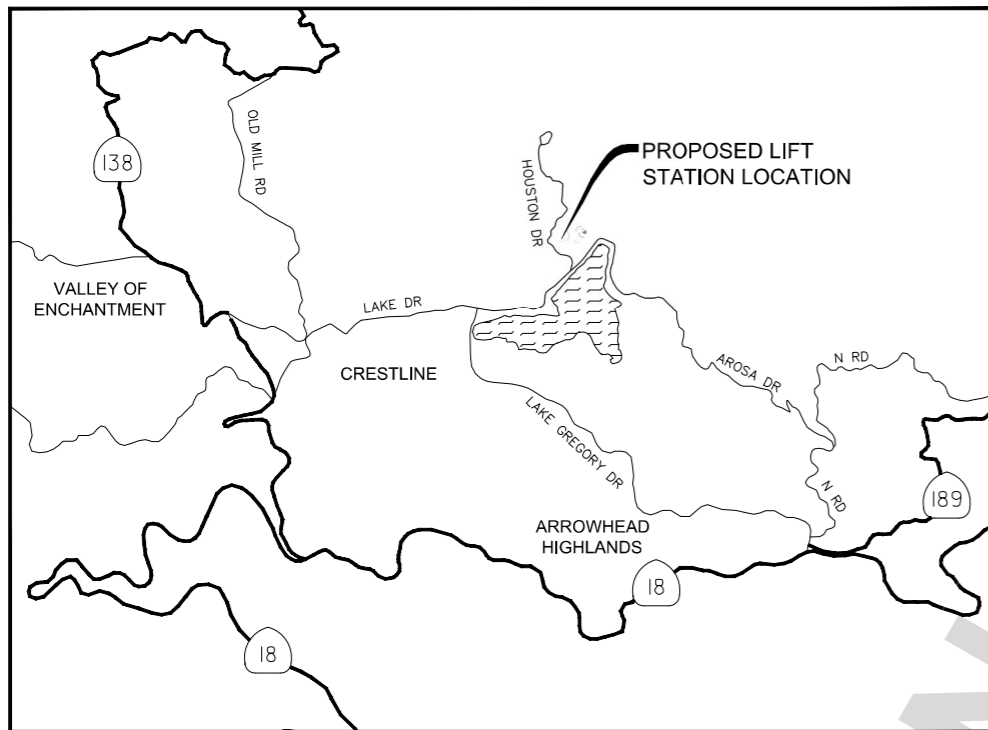
**LAKE GREGORY REGIONAL PARK
CRESTLINE, CALIFORNIA**

PROJECT NO.: 30.30.0181



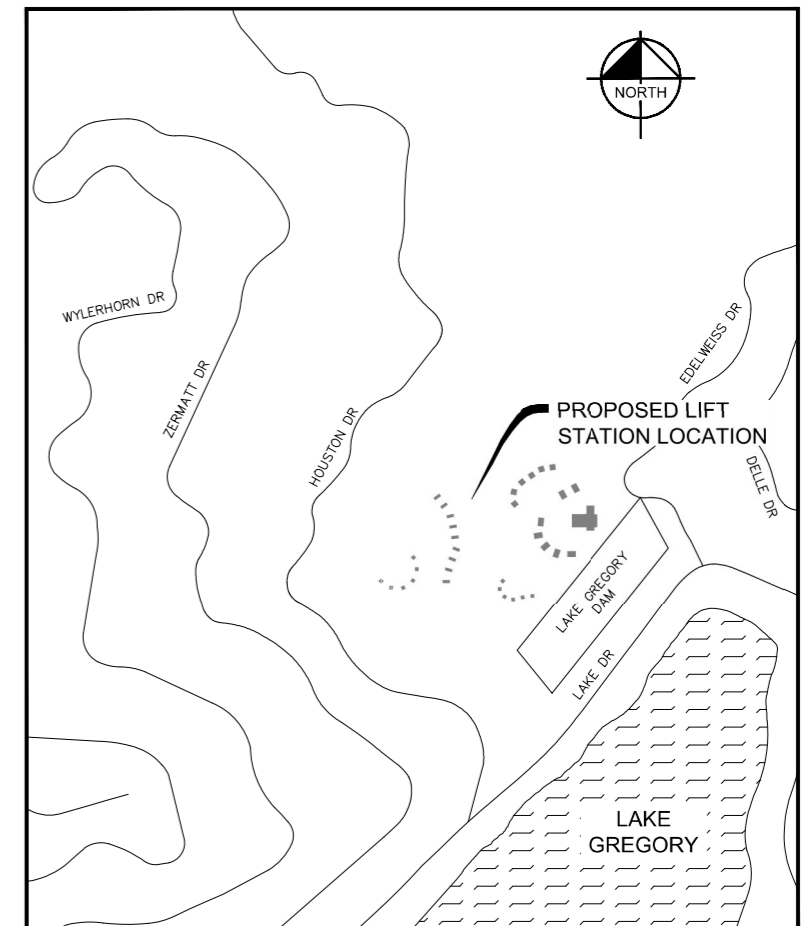
SAN BERNARDINO COUNTY DEPARTMENT OF PUBLIC WORKS SPECIAL DISTRICTS

CAMP SWITZERLAND SEWER LIFT STATION APN: 033714105



PROJECT VICINITY MAP
NOT TO SCALE

SHEET LIST TABLE	
SHEET NUMBER	SHEET TITLE
1	COVER
2	GENERAL NOTES
3	SITE PLAN
4	MECHANICAL PLAN
5	SECTIONS
6	SECTIONS
7	FORCE MAIN PLAN AND PROFILE
8	EROSION CONTROL
9	DETAILS
10	DETAILS
11	DETAILS
12	ELECTRICAL COVER
13	ELECTRICAL SITE PLAN
14	ELECTRICAL DETAILS
15	ELECTRICAL DETAILS
16	ELECTRICAL DETAILS
17	ANTENNA DETAILS
18	ANTENNA DETAILS
19	P&ID SYMBOLS AND ABBREVIATIONS
20	P&ID



PROJECT LOCATION MAP
NOT TO SCALE

UNDERGROUND SERVICE ALERT
Call: TOLL FREE
1-800-227-2600
OR
811
TWO WORKING DAYS BEFORE YOU DIG

BENCHMARK:
ON CHS MARK AT NORTH WESTERLY CORNER OF BRIDGE AT HOUSTON SPILLWAY AND LAKE DRIVE SAN BERNARDINO COUNTY SURVEYOR BENCH MARK DATUM = NGVD 29
REFERENCE: CSFB4084 - PAGES 1308, 1540 & 2202

BASIS OF BEARINGS:
THE BEARINGS ARE BASED ON CALIFORNIA COORDINATE SYSTEM ZONE 5. THE BEARING N 62° 10' 52" E BETWEEN SOPAC CORS STATIONS P612 AND MS08 WAS USED AS THE BASIS OF BEARINGS FOR THIS SURVEY.



COMPANY ADDRESS AND LOGO
401 B STREET, SUITE 600
SAN DIEGO, CA 92101
(951) 543-9868
WWW.KIMLEY-HORN.COM
Kimley»Horn
PREPARED UNDER THE SUPERVISION OF:
RENEE K. CHUANG 92140 6/14/2024
PROFESSIONAL ENGINEER R.C.E. No. DATE

REVISIONS					
MARK	DATE	INITIAL	DESCRIPTION	APPR.	DATE

PLANS APPROVED BY:
SAN BERNARDINO COUNTY - PUBLIC WORKS
SPECIAL DISTRICTS
David R. Doublet
ASSISTANT DIRECTOR

PROJECT MANAGER	INITIAL	DATE
WAS. DIVISION MANAGER	Deanna Lestina	
PM. DIVISION MANAGER	Greg Snyder	
	Noel Mondragon	

100% DRAFT IMPROVEMENT PLANS
APN NO. 033714105
CAMP SWITZERLAND
SEWER LIFT STATION
COVER

DWG NO. 30.30.XXXX
FILE NO. SDD-XXX
SHEET 1 OF 20

GENERAL NOTES

- EXISTING UTILITIES AND STRUCTURES (UNDERGROUND, SURFACE, AND OVERHEAD) ARE INDICATED ONLY TO THE EXTENT THAT SUCH INFORMATION WAS KNOWN BY THE ENGINEER IN PREPARING THE DRAWINGS. THE LOCATIONS, CONFIGURATIONS, AND ELEVATIONS OF SUBSURFACE UTILITIES ARE APPROXIMATE AND ALL UTILITIES MAY NOT BE SHOWN. UNLESS OTHERWISE INDICATED ON THE DRAWINGS, THE ENGINEERING INVESTIGATIONS, LOCATION, AND DESIGNATION OF SUBSURFACE UTILITIES SHOWN ON THESE PLANS HAVE BEEN PERFORMED TO QUALITY LEVEL C IN ACCORDANCE WITH GENERALLY ACCEPTED ENGINEERING PRINCIPLES AND PRACTICES AS OUTLINED IN ASCE STANDARD GUIDELINE C1/ASCE 38-02. THE UNDERGROUND UTILITIES SHOWN ARE BASED ON THE BEST INFORMATION AVAILABLE. ADDITIONAL UTILITY LINES MAY BE PRESENT ON SITE. THE CONTRACTOR IS RESPONSIBLE FOR LOCATING, IDENTIFYING, AND PROTECTING ALL BURIED UTILITIES AND UNDERGROUND STRUCTURES. EXISTING UTILITIES DAMAGED DURING CONSTRUCTION ACTIVITIES SHALL BE REPAIRED TO AS GOOD OR BETTER CONDITION AT THE CONTRACTOR'S EXPENSE. CONTRACTOR SHALL NOTIFY THE ENGINEER IMMEDIATELY OF ANY CONFLICT OR UTILITIES NOT SHOWN ON THE PLANS.
- PRIOR TO THE BEGINNING OF ANY CONSTRUCTION, CONTRACTOR SHALL VERIFY THE LOCATION, MATERIAL, SIZE, AND DEPTH OF ALL CROSSINGS AND CONNECTING UTILITIES REQUIRED TO COMPLETE THE WORK. UTILITY INVESTIGATION SHALL BE COMPLETED BY HAND OR HYDRO-VAC METHODS. CONTRACTOR TO PROVIDE SCALED, DETAILED, UTILITY CONFLICT FIELD NOTES AS CONDITION PRECEDENT TO PAYMENT FOR MOBILIZATION ACTIVITIES. PAY ITEMS FOR PIPELINE ADJUSTMENTS ARE INCLUDED IN THE BID FORMS IF REQUIRED IN THE ENGINEER'S SOLE OPINION.
- CONTRACTOR SHALL LOCATE AND PROTECT ALL SURVEY POINTS AND POTHOLE ALL SUBSURFACE UTILITIES AND POINTS OF CONNECTION NOTED ON THE PLANS BEFORE STARTING WORK, SUBMIT A RECORD OF FIELD VERIFICATION PRIOR TO SUBMITTAL OF MAJOR EQUIPMENT SHOP DRAWINGS AND SHALL IMMEDIATELY NOTIFY THE ENGINEER OF ANY DISCREPANCIES. CONTRACTOR SHALL FIELD VERIFY THE CONDITION AND DIMENSIONS OF EXISTING STRUCTURES AND UTILITIES TO BE MAINTAINED. CONTRACTOR SHALL NOTIFY ENGINEER IF THERE IS A CONFLICT BETWEEN THE CONTRACT DOCUMENTS AND EXISTING CONSTRUCTION BEFORE PROCEEDING WITH WORK.
- ACCESS CONTROL: ALL CONTRACTOR'S PERSONNEL AND SUBCONTRACTORS ARE SUBJECT TO SAN BERNARDINO COUNTY'S SECURITY POLICY REFER TO CONTRACT GENERAL CONDITION 3.1.3.3; SEE SUPPLEMENTAL GENERAL PROVISIONS. THE CONTRACTOR SHALL COORDINATE THE LOCATION OF PARKING AND STORAGE AREAS WITH THE OWNER'S REPRESENTATIVE CONTRACTOR PARKING AND STORAGE OF EQUIPMENT AND MATERIALS SHALL BE RESTRICTED TO AGREED UPON AREAS.
- CONTRACTOR SHALL REESTABLISH PRE-CONSTRUCTION GROUND ELEVATIONS IN AREAS WHERE GRADING IS NOT DEFINED.
- UNLESS OTHERWISE INDICATED ON THE DRAWINGS OR SPECIFIED, CIVIL CONSTRUCTION SHALL BE PER COUNTY STANDARD DETAILS AND SPECIFICATIONS. TYPICAL DETAILS SHALL APPLY EVEN THOUGH NOT REFERENCED AT SPECIFIC LOCATIONS ON DRAWINGS.
- CONTRACTOR SHALL COMPLY WITH LOCAL CONSTRUCTION STORM WATER DISCHARGE REGULATIONS AND REQUIREMENTS.
- PIPES SMALLER THAN 12" SHALL HAVE A MINIMUM COVER OF 30" UNLESS OTHERWISE NOTED. PIPES SHALL BE ROUTED AS SHOWN UNLESS ADJUSTMENTS ARE NECESSARY TO AVOID EXISTING PIPES, CONDUITS, BURIED STRUCTURES, ETC. CONTRACTOR SHALL BE RESPONSIBLE FOR FURNISHING ALL FITTINGS AND ADAPTERS REQUIRED TO MAKE THE ADJUSTMENTS AT THE UNIT BID PER ADJUSTMENT AS DESCRIBED IN THE BIDDING DOCUMENTS.
- THE CONTRACTOR SHALL TAKE ALL PRECAUTIONARY MEASURES NECESSARY TO PROTECT FROM DAMAGE EXISTING FACILITIES AND UTILITIES SHOWN OR NOT SHOWN THAT ARE TO REMAIN IN PLACE. ALL FACILITIES DAMAGED BY THE CONTRACTOR'S OPERATIONS SHALL BE EXPEDITIOUSLY REPAIRED OR RECONSTRUCTED TO THE ORIGINAL OR BETTER CONDITION AT THE CONTRACTOR'S EXPENSE WITHOUT ADDITIONAL COMPENSATION.
- CONTRACTOR SHALL MAKE CONNECTIONS TO EXISTING PIPE, EQUIPMENT, ETC. AS REQUIRED AND SHALL PROVIDE ALL FITTINGS, ADAPTERS, AND APPURTENANCES REQUIRED TO MAKE THE CONNECTIONS. PROVIDE ALL SUPPORTS REQUIRED FOR A RIGIDLY SUPPORTED COMPLETE AND WORKING SYSTEM.
- ADJUST ALL VALVE BOXES, VAULTS, PULL BOXES, AND MANHOLES TO FINISHED GRADE UNLESS OTHERWISE SHOWN OR DIRECTED. MANHOLES IN OPEN FIELDS SHALL BE SET TWELVE INCHES ABOVE FINISHED GRADE AND VAULTS SHALL BE SIX INCHES ABOVE FINISHED GRADE.
- CONTRACTOR SHALL VERIFY THAT PIPING SHOWN TO BE ABANDONED OR AS ABANDONED PREVIOUSLY IS NO LONGER IN SERVICE. LINES IN SERVICE SHALL BE MAINTAINED UNTIL NO LONGER REQUIRED BY THE OWNER.
- THE CONTRACTOR SHALL TAKE SPECIAL PRECAUTIONS IN THE VICINITY OF ANY UNDERGROUND OR OVERHEAD ELECTRIC LINES. CONTRACTOR SHALL ABIDE BY THE NATIONAL ELECTRIC CODE AND ANY REQUIREMENT BY THE OWNER OF THE ELECTRIC LINES.
- ALL WORK SHALL BE IN ACCORDANCE WITH THE LATEST ADOPTED EDITION OF
 - SAN BERNARDINO COUNTY GRADING & EXCAVATION REGULATIONS AND GRADING MANUAL
 - SAN BERNARDINO COUNTY STANDARD PLANS
 - SAN BERNARDINO COUNTY - SPECIAL DISTRICTS STANDARD SEWER SPECIFICATIONS AND DRAWINGS
 - SPECIAL REQUIREMENTS OF THE GRADING PERMIT
 - THE CALIFORNIA BUILDING CODE (2022)
 - STANDARD SPECIFICATIONS FOR PUBLIC WORKS CONSTRUCTION (GREEN BOOK, 2021)
 - MANUAL OF UNIFORM TRAFFIC CONTROL DEVICES (MUTCD) 2023 CALIFORNIA SUPPLEMENT WHENEVER SPECIAL REQUIREMENTS CONFLICT ON ANY SUBJECT MATTER, THE OWNERS REPRESENTATIVE WILL DETERMINE WHICH SPECIAL REQUIREMENTS AND/OR CODE WILL GOVERN.
- EXPORT SOIL MUST GO TO A LEGAL DUMPSITE OR TO A LEGAL PERMITTED SITE APPROVED BY THE OWNERS REPRESENTATIVE.
- NO DIRT, ROCK OR CONSTRUCTION MATERIAL MAY BE TRACKED OR DROPPED WITHIN THE PUBLIC RIGHTS-OF-WAY DURING THE PROJECT. ANY DEBRIS IN THE PUBLIC RIGHT-OF-WAY SHALL BE REMOVED IMMEDIATELY AND/OR AS DEEMED NECESSARY BY THE GRADING INSPECTOR.
- CONTRACTOR SHALL TAKE CARE TO PROVIDE ODOR CONTROL MEASURES AS NECESSARY AT THE SOLE COST OF THE CONTRACTOR.
- ALL WORK SHALL BE DONE IN ACCORDANCE WITH THESE PLANS AND TO THE LATEST EDITION OF THE STANDARD PLANS FOR PUBLIC WORKS CONSTRUCTION.
- IT IS THE CONTRACTOR'S RESPONSIBILITY TO MAINTAIN A CURRENT AND APPROVED SET OF PLANS AND SPECIFICATIONS ON THE JOB SITE AT ALL TIMES. .
- THE CONTRACTOR SHALL BE RESPONSIBLE FOR MAKING ARRANGEMENTS FOR CONSTRUCTION INSPECTION AT LEAST 48 HOURS PRIOR TO BEGINNING WORK.
- IT SHALL BE THE RESPONSIBILITY OF THE CONTRACTOR TO FAMILIARIZE THEMSELVES WITH THE JOB SITE AND THE LOCATION OF ALL UNDERGROUND FACILITIES SHOWN OR NOT SHOWN ON THESE PLANS. THE CONTRACTOR IS RESPONSIBLE FOR ALL DIG ALERT REQUESTS AND EXPLORATORY EFFORTS NECESSARY TO VERIFY ANY UNDERGROUND OBSTRUCTIONS. THE CONTRACTOR WILL BE UNILATERALLY RESPONSIBLE FOR ANY DAMAGE DONE TO EXISTING UTILITIES THAT ARE SHOWN OR NOT SHOWN ON THESE PLANS.
- THE CONTRACTOR SHALL OBTAIN ALL NECESSARY STATE, COUNTY OR LOCAL PERMITS.
- CONTRACTOR SHALL OBTAIN AN EXCAVATION PERMIT AND ENCROACHMENT PERMIT OR OTHER REQUIRED PERMITS FROM THE SAN BERNARDINO COUNTY DEPARTMENT OF PUBLIC WORKS TRANSPORTATION, PRIOR TO ANY WORK WITHIN THE COUNTY RIGHT OF WAY BY CALLING (909) 387-7910.
- THE CONTRACTOR SHALL NOTIFY ALL SERVING UTILITY COMPANIES 48 HOURS PRIOR WHEN WORK IS TO BE PERFORMED NEAR THEIR FACILITIES BY CALLING 811.
- CONTRACTOR SHALL ENSURE THAT EASEMENTS HAVE BEEN RECORDED PRIOR TO START OF WORK.
- THE CONTRACTOR SHALL BE HELD RESPONSIBLE FOR ANY FIELD CHANGES MADE WITHOUT PRIOR WRITTEN AUTHORIZATION FROM THE UNDERSIGNED ENGINEER AND SAN BERNARDINO COUNTY SPECIAL DISTRICTS.
- THE CONTRACTOR AGREES THAT IT SHALL ASSUME SOLE AND COMPLETE RESPONSIBILITY FOR JOB SITE CONDITIONS DURING THE COURSE OF CONSTRUCTION OF THIS PROJECT, INCLUDING SAFETY OF ALL PERSONS AND PROPERTY; THAT THIS REQUIREMENT SHALL APPLY CONTINUALLY AND NOT BE LIMITED TO NORMAL WORKING HOURS; AND THAT CONTRACTOR SHALL DEFEND, INDEMNIFY AND HOLD THE OWNER AND THE ENGINEER HARMLESS FROM ANY AND ALL LIABILITY, REAL OR ALLEGED, IN CONNECTION WITH THE PERFORMANCE OF WORK ON THIS PROJECT EXCEPTING FOR LIABILITY ARISING FROM THE SOLE NEGLIGENCE OF THE OWNER OR THE ENGINEER.
- ALL EXCAVATIONS SHALL BE BACKFILLED AT THE END OF EACH WORKING DAY AND ROADS OPEN TO VEHICULAR TRAFFIC UNLESS OTHERWISE APPROVED BY SPECIAL DISTRICTS.
- ALL WORK SHALL BE CONSTRUCTED ACCORDING TO THE VERTICAL AND HORIZONTAL MEASUREMENTS OF THESE PLANS AND EXISTING DESIGN STANDARDS. ADEQUATE STAKES SHALL BE SET UNDER THE DIRECTION OF A LICENSED SURVEYOR/ENGINEER FOR THE CONSTRUCTOR. ALL CONSTRUCTION SURVEYING SHALL BE PERFORMED IN ACCORDANCE TO THE SURVEYING PROCEDURES OF THE SURVEYOR/ENGINEER OF RECORD. IF THIRD PARTY SUBCONTRACTORS PERFORM THE CONSTRUCTION LAYOUT AND SURVEYING FOR THIS PROJECT WITHOUT THE COORDINATION OF THE SURVEYOR/ENGINEER OF RECORD, THEY HAVE ASSUMED THE POSITION OF SURVEYOR/ENGINEER OF RECORD. THE FINAL CHECK OF THIS DESIGN IS TO BE THE CONSTRUCTION STAKING AS THE DESIGN MEETS THE EXISTING CONTROL AND ELEVATIONS. ALL EXISTING DISCREPANCIES TO THE STANDARD DESIGN CRITERIA SHALL BE BROUGHT TO THE SURVEYOR/ENGINEER OF RECORD'S ATTENTION PRIOR TO PROCEEDING WITH CONSTRUCTION. IF CONSTRUCTION CONTINUES WITHOUT VERIFICATION THE CONSTRUCTOR ASSUMES THE RESPONSIBILITY OF THE CORRECTNESS OF THE INTENDED DESIGN.
- THE PROJECT AREA HAS THE POTENTIAL TO ENCOUNTER BEDROCK. CONTRACTOR ADVISED TO REFER TO GEOTECHNICAL REPORT AND FINDINGS FOR INFORMATION ON BEDROCK.

PRIVATE ENGINEER'S NOTE TO CONTRACTOR

THE EXISTENCE AND LOCATION OF ANY UNDERGROUND UTILITY PIPES, CONDUITS, OR STRUCTURES SHOWN ON THESE PLANS ARE OBTAINED BY A SEARCH OF THE AVAILABLE RECORDS. TO THE BEST OF OUR KNOWLEDGE THERE ARE NO EXISTING UTILITIES EXCEPT AS SHOWN ON THESE PLANS. THE CONTRACTOR IS REQUIRED TO TAKE DUE PRECAUTIONARY MEASURES TO PROTECT THE UTILITIES SHOWN ON THESE DRAWINGS AND TO VERIFY ALL DIMENSIONS, PIPE SIZES, PIPE MATERIALS, FLANGE SIZES, AND BOLT CONFIGURATIONS PRIOR TO ORDERING PARTS AND BEGINNING WORK. THE CONTRACTOR FURTHER ASSUMES ALL LIABILITY AND RESPONSIBILITY FOR THE UTILITY PIPES, CONDUITS OR STRUCTURES SHOWN ON THESE DRAWINGS.

CONTRACTOR AGREES THAT HE/SHE SHALL ASSUME SOLE AND COMPLETE RESPONSIBILITY FOR JOB SITE CONDITIONS DURING THE COURSE OF CONSTRUCTION OF THIS PROJECT, INCLUDING SAFETY OF ALL PERSONS AND PROPERTY, THAT THIS REQUIREMENT SHALL APPLY CONTINUOUSLY AND NOT BE LIMITED TO NORMAL WORKING HOURS, AND THAT THE CONTRACTOR SHALL DEFEND, INDEMNIFY AND HOLD SAN BERNARDINO COUNTY, SPECIAL DISTRICTS, THE OWNER AND THE ENGINEER HARMLESS FROM ANY AND ALL LIABILITY, REAL OR ALLEGED, IN CONNECTION WITH THE PERFORMANCE OF WORK ON THIS PROJECT, EXCEPTING FOR LIABILITY ARISING FROM THE SOLE NEGLIGENCE OF THE OWNER OR THE ENGINEER.

NOTIFICATIONS

- AT LEAST 48 HOURS PRIOR TO COMMENCING CONSTRUCTION, CONTRACTOR SHALL NOTIFY:
- SPECIAL DISTRICTS - (909) 386-8800
 - PERMIT AGENCY: SAN BERNARDINO COUNTY, SPECIAL DISTRICTS
 - CRESTLINE SANITATION DISTRICT - (919) 338-1751
 - UNDERGROUND SERVICE ALERT (USA): 811
 - ALL OTHER AFFECTED AGENCIES THAT ARE NOT MEMBERS OF USA ALERT

LEGEND/ABBREVIATIONS

AC	ASPHALT CONCRETE
ARV	AIR RELEASE VALVE
BFV	BUTTERFLY VALVE
CIDH	CAST-IN-DRILLED HOLE
CL	CENTERLINE
CMU	CONCRETE MASONRY UNIT
CONC	CONCRETE
CSA	COUNTY SERVICE AREA
DET	DETAIL
DI	DUCTILE IRON
DIP	DUCTILE IRON PIPE
EG	EXISTING GRADE
EXIST	EXISTING
FG	FINISHED GRADE
FLG	FLANGE
FS	FINISHED SURFACE
GE	GROOVE END
GPM	GALLONS PER MINUTE
HDPE	HIGH-DENSITY POLYETHYLENE
HORZ	HORIZONTAL
HP	HORSEPOWER
HWY	HIGHWAY
I.D.	INSIDE DIAMETER
INV	INVERT
MAX	MAXIMUM
MFR	MANUFACTURER
MIN	MINIMUM
O.C.	ON CENTER
O.D.	OUTSIDE DIAMETER
PCC	PORTLAND CEMENT CONCRETE
PE	PLAIN END
PIP	PROTECT IN PLACE
PROP	PROPOSED
PRV	PRESSURE RELEASE VALVE
PVC	POLYVINYL CHLORIDE
P&ID	PIPING AND INSTRUMENTATION DRAWING
RD	ROAD
PPM	REVOLUTIONS PER MINUTE
SBCSD	SAN BERNARDINO COUNTY STANDARD DRAWINGS
SCH	SCHEDULE
SS	STAINLESS STEEL
SSPWC	STANDARD SPECIFICATIONS FOR PUBLIC WORKS CONSTRUCTION
STD	STANDARD
STL	STEEL
TDH	TOTAL DYNAMIC HEAD
V	VOLT
VCP	VITRIFIED CLAY PIPE
VERT	VERTICAL
VFD	VARIABLE FREQUENCY DRIVE
WAS	WATER AGENCIES' STANDARDS

UNDERGROUND SERVICE ALERT



Call: TOLL FREE
1-800-227-2600
OR
811


TWO WORKING DAYS BEFORE YOU DIG

BENCHMARK:
ON CHS MARK AT NORTH WESTERLY CORNER OF BRIDGE AT HOUSTON SPILLWAY AND LAKE DRIVE SAN BERNARDINO COUNTY SURVEYOR BENCH MARK DATUM = NGVD 29
REFERENCE: CSFB4084 - PAGES 1308, 1540 & 2202

BASIS OF BEARINGS:
THE BEARINGS ARE BASED ON CALIFORNIA COORDINATE SYSTEM ZONE 5. THE BEARING N 62° 10' 52" E BETWEEN SOPAC CORS STATIONS P612 AND MS0B WAS USED AS THE BASIS OF BEARINGS FOR THIS SURVEY.



COMPANY ADDRESS AND LOGO
401 B STREET, SUITE 600
SAN DIEGO, CA 92101
(951) 543-9868
WWW.KIMLEY-HORN.COM



PREPARED UNDER THE SUPERVISION OF:
RENEE K. CHUANG 92140 6/14/2024
PROFESSIONAL ENGINEER R.C.E. No. DATE

REVISIONS					
MARK	DATE	INITIAL	DESCRIPTION	APPR.	DATE

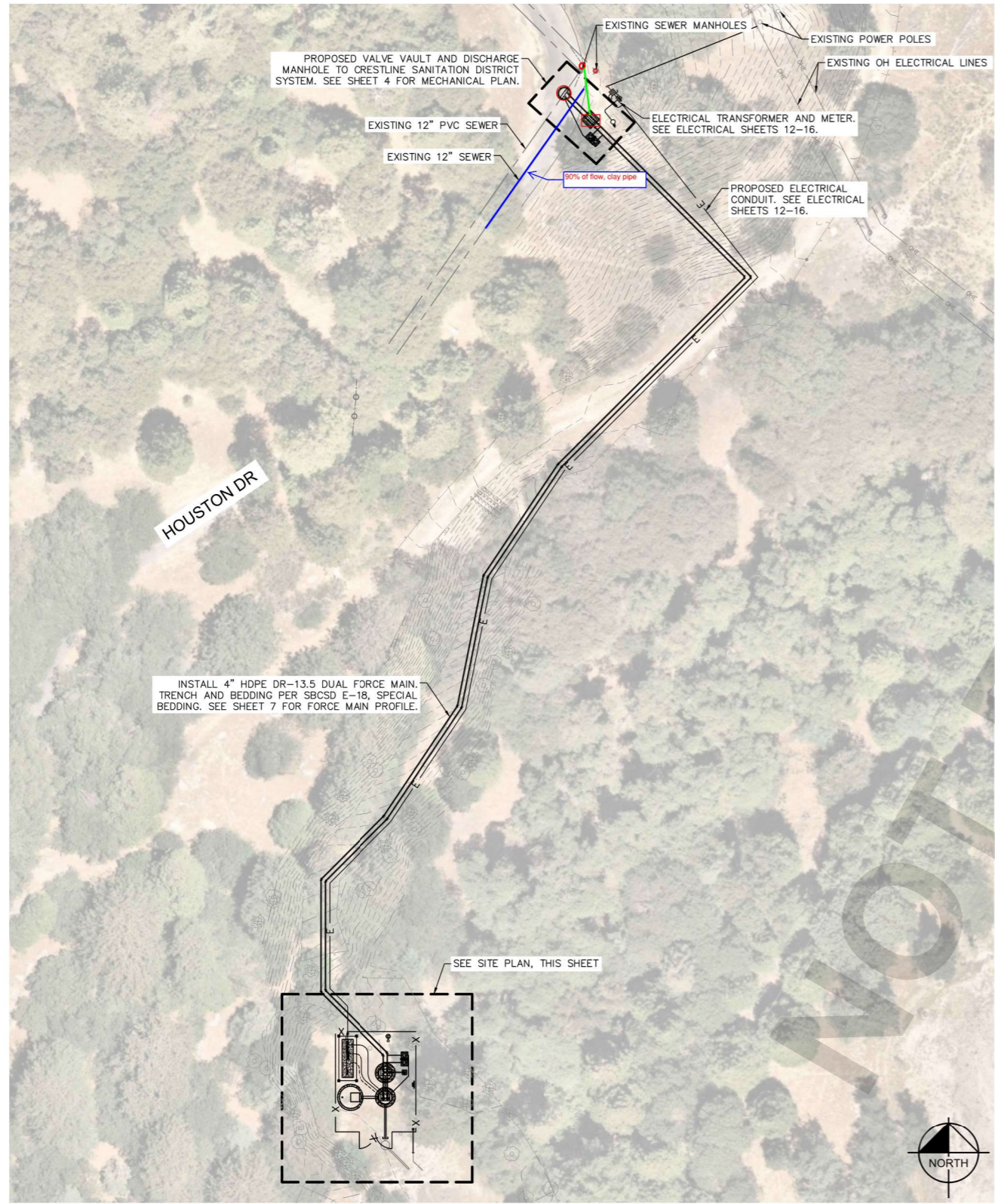
PLANS APPROVED BY:
SAN BERNARDINO COUNTY - PUBLIC WORKS SPECIAL DISTRICTS
David R. Doublet
ASSISTANT DIRECTOR

APPROVALS	PROJECT MANAGER	INITIAL	DATE
	Deanna Lestina		
	WAS, DIVISION MANAGER		
	Greg Snyder		
	PM, DIVISION MANAGER	Noel Mondragon	

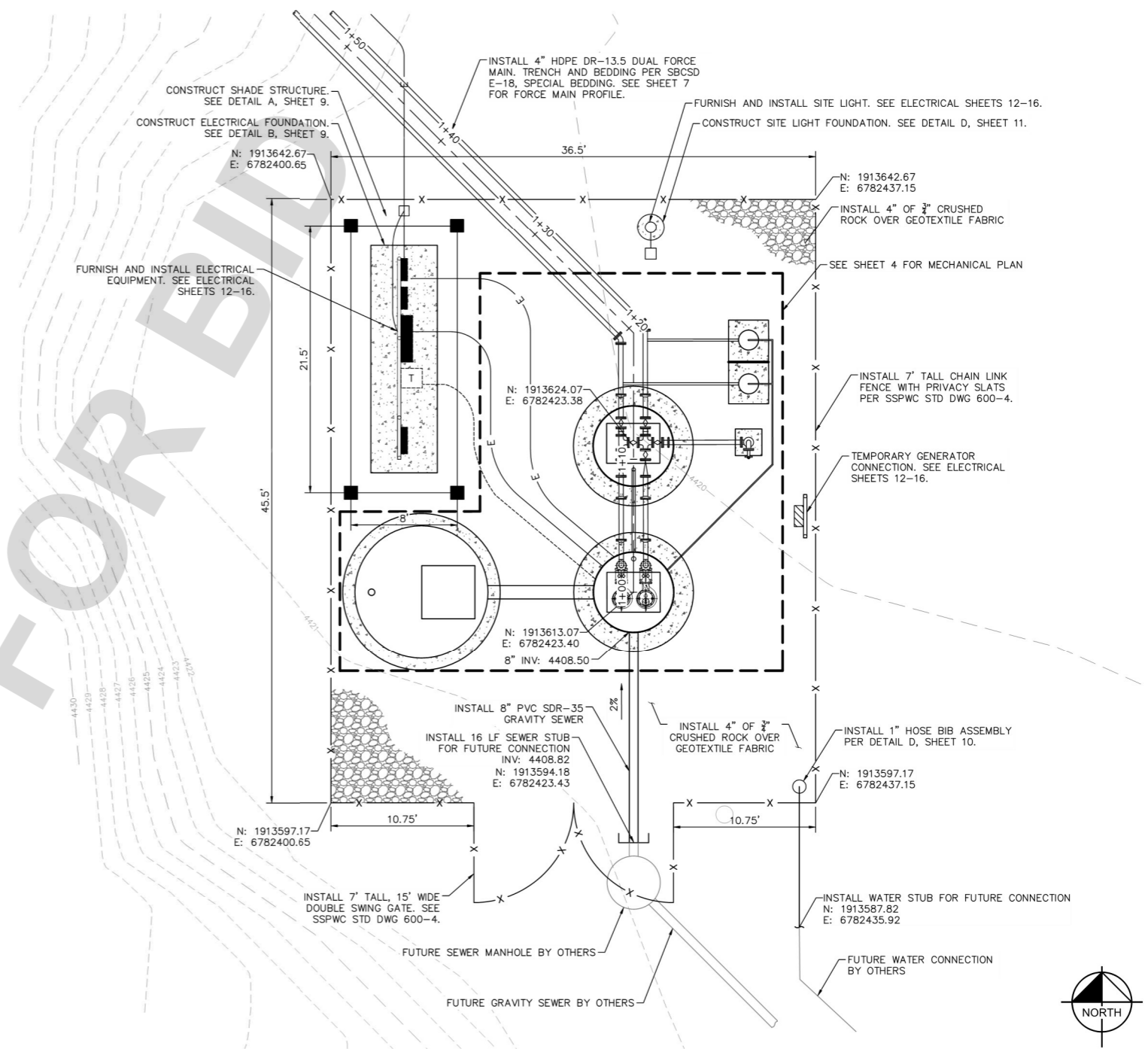
100% DRAFT IMPROVEMENT PLANS

APN NO. 033714105
CAMP SWITZERLAND
SEWER LIFT STATION
GENERAL NOTES

DWG NO. 30.30.XXXX
FILE NO. SDD-XXX
SHEET 2 OF 20



PROJECT VICINITY
SCALE: 1" = 30'



SITE PLAN
SCALE: 1" = 5'

UNDERGROUND SERVICE ALERT
Call: TOLL FREE
1-800-227-2600
OR
811
TWO WORKING DAYS BEFORE YOU DIG

BENCHMARK:
ON CHS MARK AT NORTH WESTERLY CORNER OF BRIDGE AT HOUSTON SPILLWAY AND LAKE DRIVE SAN BERNARDINO COUNTY SURVEYOR BENCH MARK DATUM = NGVD 29 REFERENCE: CSFB4084 - PAGES 1308, 1540 & 2202

BASIS OF BEARINGS:
THE BEARINGS ARE BASED ON CALIFORNIA COORDINATE SYSTEM ZONE 5. THE BEARING N 62° 10' 52" E BETWEEN SOPAC CORS STATIONS P612 AND MS08 WAS USED AS THE BASIS OF BEARINGS FOR THIS SURVEY.



COMPANY ADDRESS AND LOGO
401 B STREET, SUITE 600
SAN DIEGO, CA 92101
(951) 543-9868
WWW.KIMLEY-HORN.COM
KimleyHorn
PREPARED UNDER THE SUPERVISION OF:
RENEE K. CHUANG 92140 6/14/2024
PROFESSIONAL ENGINEER R.C.E. No. DATE

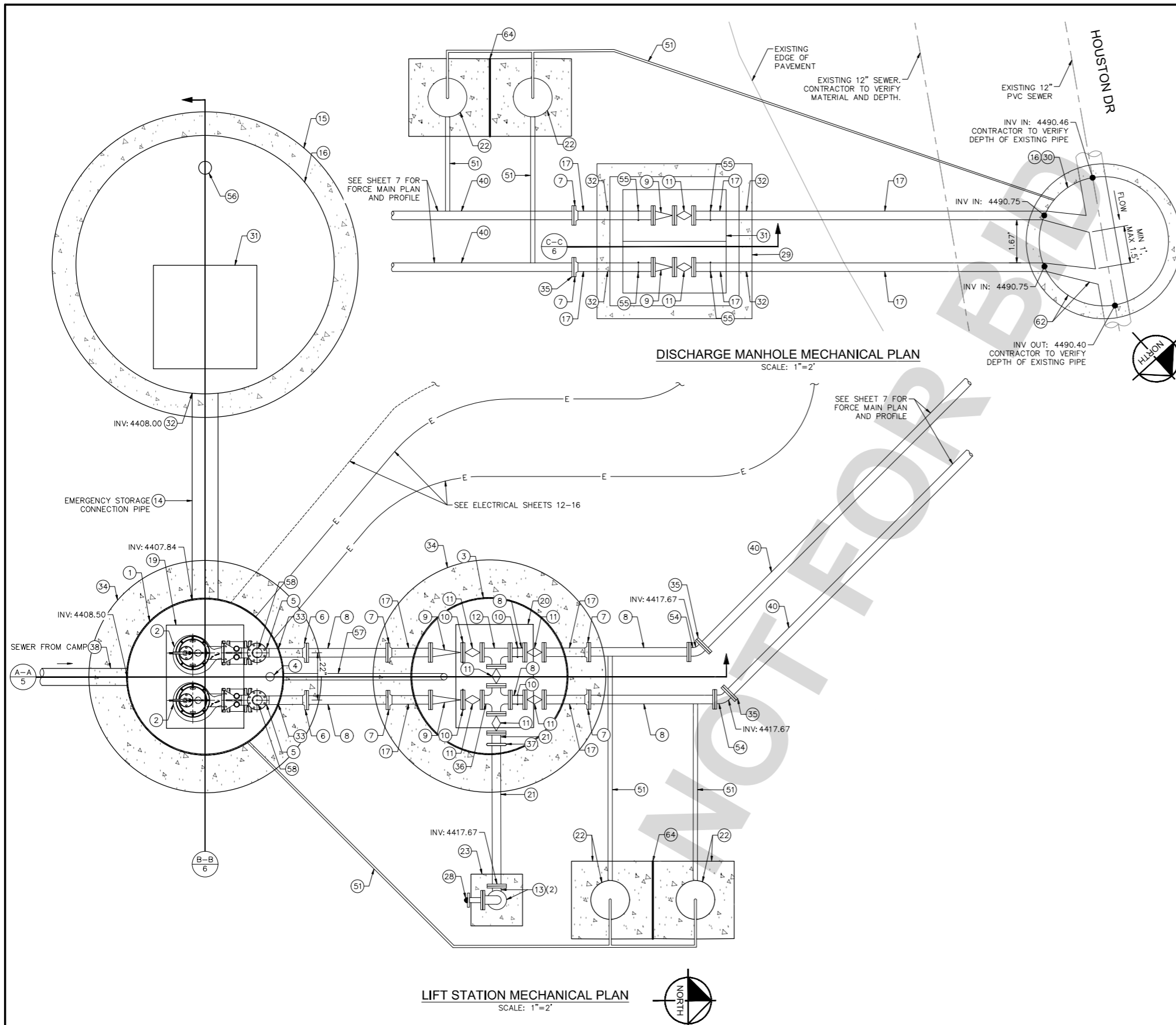
REVISIONS					
MARK	DATE	INITIAL	DESCRIPTION	APPR.	DATE

PLANS APPROVED BY:
SAN BERNARDINO COUNTY - PUBLIC WORKS
SPECIAL DISTRICTS
David R. Doublet
ASSISTANT DIRECTOR

APPROVALS	PROJECT MANAGER	INITIAL	DATE
	Deanna Lestina		
	WAS, DIVISION MANAGER	Greg Snyder	
	PM, DIVISION MANAGER	Noel Mondragon	

100% DRAFT IMPROVEMENT PLANS
APN NO. 033714105
CAMP SWITZERLAND
SEWER LIFT STATION
SITE PLAN

DWG NO.
30.30.XXXX
FILE NO.
SDD-XXX
SHEET 3 OF 20



- ### CONSTRUCTION NOTES
- ① FURNISH AND INSTALL 6" DIAMETER FLYGT PRE-PACKAGED FIBERGLASS LIFT STATION, OR APPROVED EQUAL.
 - ② FURNISH AND INSTALL FLYGT SUBMERSIBLE PUMP, Q = 90 GPM AT 91.5' TDH. CONCERTOR INTEGRATED VFD PUMP, 3 PHASE, 480 V. SEE DETAIL E, SHEET 10 FOR PUMP CURVE.
 - ③ FURNISH AND INSTALL 6" DIAMETER FLYGT PRE-PACKAGED VALVE VAULT, OR APPROVED EQUAL.
 - ④ FURNISH AND INSTALL 4" VENT - MUSHROOM STYLE PER MFR.
 - ⑤ FURNISH AND INSTALL 4" SCH 10, 316 STAINLESS STEEL PIPE.
 - ⑥ FURNISH AND INSTALL 4" INSULATING FLANGE COUPLING ADAPTER.
 - ⑦ FURNISH AND INSTALL 4" DI RESTRAINED FLANGE COUPLING ADAPTER.
 - ⑧ FURNISH AND INSTALL 4" DIP (FLG x FLG).
 - ⑨ FURNISH AND INSTALL 4" SWING CHECK VALVE.
 - ⑩ FURNISH AND INSTALL PIPE SUPPORT. SEE DETAIL A, SHEET 10.
 - ⑪ FURNISH AND INSTALL 4" ECCENTRIC PLUG VALVE.
 - ⑫ FURNISH AND INSTALL 4" DI TEE.
 - ⑬ FURNISH AND INSTALL 4" 90° DI BEND.
 - ⑭ FURNISH AND INSTALL 12" SDR-35 PVC. TRENCH AND BEDDING PER SBCSD E-18, NORMAL BEDDING.
 - ⑮ FURNISH AND INSTALL 10' DIAMETER JENSEN PRECAST EMERGENCY STORAGE MANHOLE, OR APPROVED EQUAL.
 - ⑯ FURNISH AND INSTALL SINGLE APPLICATION SPRAY-APPLIED EPOXY LINER (200 MILS) ON ALL INTERIOR WALL SURFACES.
 - ⑰ FURNISH AND INSTALL 4" DIP (FLG X PE).
 - ⑱ FURNISH AND INSTALL WET WELL HATCH WITH FALL PROTECTION PER MFR.
 - ⑳ FURNISH AND INSTALL VALVE VAULT HATCH PER MFR.
 - ㉑ FURNISH AND INSTALL 4" DIP (FLG X GE).
 - ㉒ FURNISH AND INSTALL SEWER AIR AND VACUUM COMBINATION RELEASE VALVE ASSEMBLY AND ENCLOSURE. SEE DETAIL A, SHEET 11.
 - ㉓ CONSTRUCT 2' X 2' X 12" CONCRETE PAD. SET PAD 2" ABOVE SURROUNDING FS.
 - ㉔ FURNISH AND INSTALL SEWER BYPASS WITH FLANGE NIPPLE ADAPTER AND 4" DIXON CAM AND GROOVE TYPE D COUPLER, FEMALE NPT PART #400-D-AL WITH DASH PLUG AND T-HANDLE 400-DP-ALPHA, OR APPROVED EQUAL. SEE DETAIL C, SHEET 9.
 - ㉕ FURNISH AND INSTALL 60" X 60" JENSEN PRECAST VALVE VAULT, OR APPROVED EQUAL.
 - ㉖ FURNISH AND INSTALL 5' DIAMETER DISCHARGE MANHOLE PER WAS STD DET SM-02 AND SM-03. SEE DETAIL B, SHEET 11.
 - ㉗ FURNISH AND INSTALL 48" X 48" USF FABRICATION VALVE VAULT HATCH WITH FALL PROTECTION, OR APPROVED EQUAL.
 - ㉘ FURNISH AND INSTALL PIPE PENETRATION. SEE DETAIL B, SHEET 10.
 - ㉙ FURNISH AND INSTALL PIPING KIT PER LIFT STATION MFR.
 - ㉚ CONSTRUCT CONCRETE RING. SEE DETAIL C, SHEET 11.
 - ㉛ FURNISH AND INSTALL 4" FLANGED HDPE WITH RETAINER RING.
 - ㉜ FURNISH AND INSTALL 4" DI CROSS.
 - ㉝ FURNISH AND INSTALL 4" VICTAULIC COUPLING.
 - ㉞ FURNISH AND INSTALL 8" SDR-35 PVC. TRENCH AND BEDDING PER SBCSD E-18, NORMAL BEDDING.
 - ㉟ FURNISH AND INSTALL 4" HDPE DR-13.5 DUAL FORCE MAIN. TRENCH AND BEDDING PER SBCSD E-18, SPECIAL BEDDING.
 - ㊱ FURNISH AND INSTALL 1" SCH 80 PVC COMBINATION AIR RELEASE PIPING. SEE DETAIL A, SHEET 11.
 - ㊲ FURNISH AND INSTALL 4" 45° DI BEND.
 - ㊳ FURNISH AND INSTALL VAULT PIPE SUPPORT. SEE DETAIL C, SHEET 10.
 - ㊴ FURNISH AND INSTALL 4" STAINLESS STEEL GOOSENECK VAULT VENT WITH STAINLESS STEEL SCREEN. INSERT AND CLAMP IN PLACE. SET VENT 12" ABOVE RIM.
 - ㊵ FURNISH AND INSTALL 3" SCH 80 PVC VALVE VAULT DRAIN WITH P-TRAP. TRENCH AND BEDDING PER SBCSD E-18, NORMAL BEDDING.
 - ㊶ FURNISH AND INSTALL 4" SCH 10, 316 STAINLESS STEEL 90° BEND.
 - ㊷ CONTRACTOR TO INSTALL PRECAST MANHOLE PER WAS SM-02 AND CAST-IN-PLACE BASE PER WAS SM-03 AROUND EXISTING 12" PIPE. CONTRACTOR TO REMOVE EXISTING 12" PIPE WITHIN BASE AFTER FORMATION.
 - ㊸ FURNISH AND INSTALL EXPANSION JOINT

UNDERGROUND SERVICE ALERT

 Call: TOLL FREE
 1-800-227-2600
 OR
 811
 TWO WORKING DAYS BEFORE YOU DIG

BENCHMARK:
 ON CHS MARK AT NORTH WESTERLY CORNER OF BRIDGE AT HOUSTON SPILLWAY AND LAKE DRIVE SAN BERNARDINO COUNTY SURVEYOR BENCH MARK DATUM = NGVD 29 REFERENCE: CSFB4084 - PAGES 1308, 1540 & 2202

BASIS OF BEARINGS:
 THE BEARINGS ARE BASED ON CALIFORNIA COORDINATE SYSTEM ZONE 5. THE BEARING N 62° 10' 52" E BETWEEN SOPAC CORNERS STATIONS P612 AND MS0B WAS USED AS THE BASIS OF BEARINGS FOR THIS SURVEY.



COMPANY ADDRESS AND LOGO
 401 B STREET, SUITE 600
 SAN DIEGO, CA 92101
 (951) 543-9868
 WWW.KIMLEY-HORN.COM
Kimley Horn
 PREPARED UNDER THE SUPERVISION OF:
 RENE E. CHUANG 92140 6/14/2024
 PROFESSIONAL ENGINEER R.C.E. No. DATE

REVISIONS					
MARK	DATE	INITIAL	DESCRIPTION	APPR.	DATE

PLANS APPROVED BY:
SAN BERNARDINO COUNTY - PUBLIC WORKS SPECIAL DISTRICTS
David R. Doublet
 ASSISTANT DIRECTOR

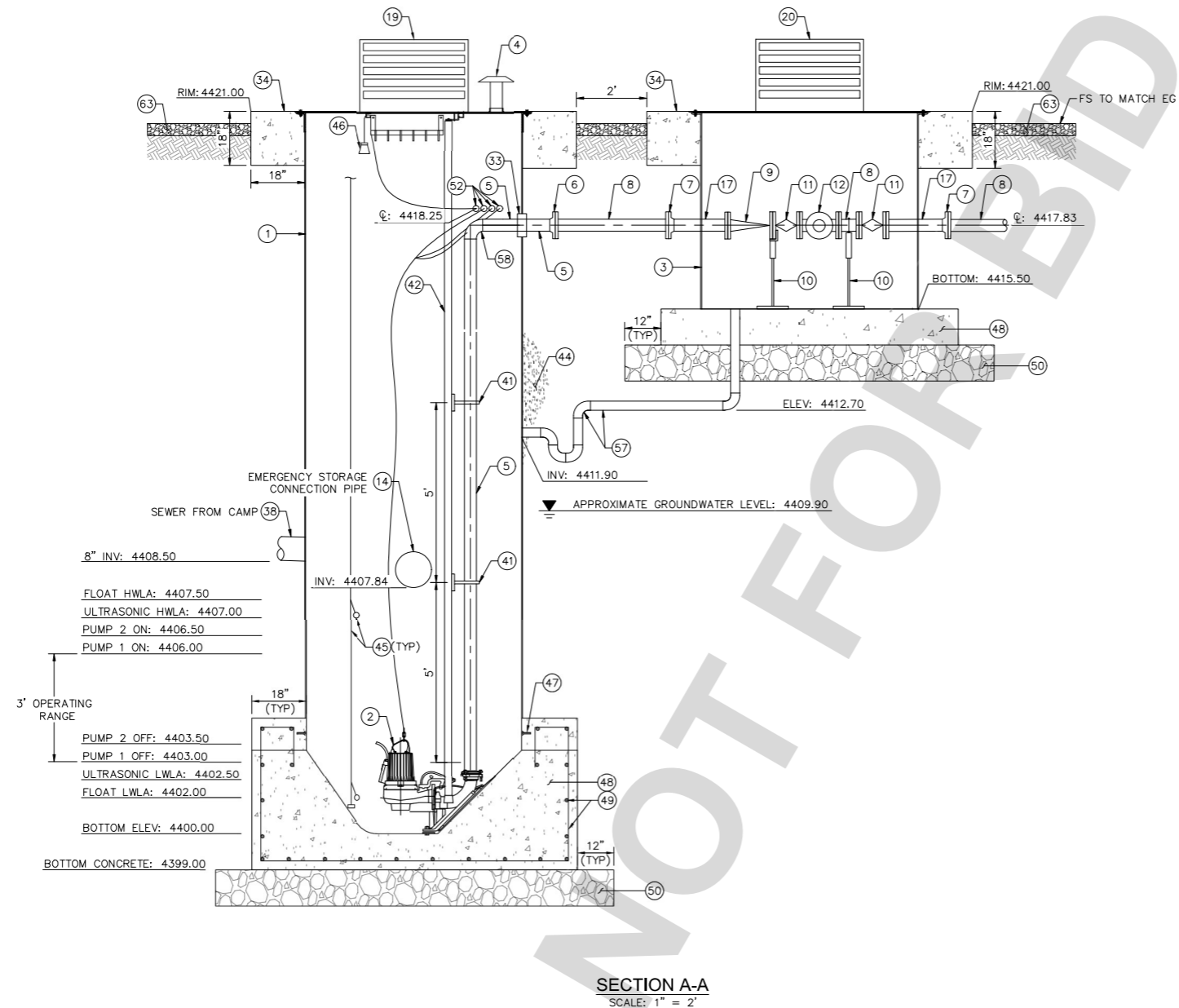
PROJECT MANAGER	INITIAL	DATE
Deanna Lestina		
Greg Snyder		
PM, DIVISION MANAGER	Noel Mondragon	

100% DRAFT IMPROVEMENT PLANS
 APN NO. 033714105
 CAMP SWITZERLAND
 SEWER LIFT STATION
 MECHANICAL PLAN

DWG NO.
30.30.XXXX
 FILE NO.
SDD-XXX
 SHEET 4 OF 20

CONSTRUCTION NOTES

- ① FURNISH AND INSTALL 6' DIAMETER FLYGT PRE-PACKAGED FIBERGLASS LIFT STATION, OR APPROVED EQUAL.
- ② FURNISH AND INSTALL FLYGT SUBMERISBLE PUMP. Q = 90 GPM AT 91.5' TDH. CONCERTOR INTEGRATED VFD PUMP, 3 PHASE, 480 V. SEE DETAIL E, SHEET 10 FOR PUMP CURVE.
- ③ FURNISH AND INSTALL 6' DIAMETER FLYGT PRE-PACKAGED VALVE VAULT, OR APPROVED EQUAL.
- ④ FURNISH AND INSTALL 4" VENT - MUSHROOM STYLE PER MFR.
- ⑤ FURNISH AND INSTALL 4" SCH 10, 316 STAINLESS STEEL PIPE.
- ⑥ FURNISH AND INSTALL 4" INSULATING FLANGE COUPLING ADAPTER.
- ⑦ FURNISH AND INSTALL 4" DI RESTRAINED FLANGE COUPLING ADAPTER.
- ⑧ FURNISH AND INSTALL 4" DIP (FLG x FLG).
- ⑨ FURNISH AND INSTALL 4" SWING CHECK VALVE.
- ⑩ FURNISH AND INSTALL PIPE SUPPORT. SEE DETAIL A, SHEET 10.
- ⑪ FURNISH AND INSTALL 4" ECCENTRIC PLUG VALVE.
- ⑫ FURNISH AND INSTALL 4" DI TEE.
- ⑭ FURNISH AND INSTALL 12" SDR-35 PVC. TRENCH AND BEDDING PER SBCSD E-18, NORMAL BEDDING.
- ⑰ FURNISH AND INSTALL 4" DIP (FLG X PE).
- ⑱ FURNISH AND INSTALL WET WELL HATCH WITH FALL PROTECTION PER MFR.
- ⑳ FURNISH AND INSTALL VALVE VAULT HATCH PER MFR.
- ㉓ FURNISH AND INSTALL PIPING KIT PER LIFT STATION MFR.
- ㉔ CONSTRUCT CONCRETE RING. SEE DETAIL C, SHEET 11.
- ㉘ FURNISH AND INSTALL 8" SDR-35 PVC. TRENCH AND BEDDING PER SBCSD E-18, NORMAL BEDDING.
- ㉙ FURNISH AND INSTALL U-BOLT PER LIFT STATION MFR.
- ㉚ FURNISH AND INSTALL PUMP GUIDERAILS PER LIFT STATION MFR.
- ㉜ FURNISH AND INSTALL GRANULAR BACKFILL PER LIFT STATION MFR.
- ㉝ FURNISH AND INSTALL CABLE AND BACKUP FLOATS.
- ㉞ FURNISH AND INSTALL LEVEL TRANSDUCER.
- ㉟ FURNISH AND INSTALL ANTI-FLOTATION FLANGE PER LIFT STATION MFR.
- ㊱ CONSTRUCT CONCRETE FOUNDATION. CONCRETE TO BE CLASS 560-C-3250. FOUNDATION PREP PER MFR AND GEOTECH RECOMMENDATIONS.
- ㊲ FURNISH AND INSTALL #6 @ 12" O.C. EACH WAY.
- ㊳ FURNISH AND INSTALL 12" DEPTH OF 3/4" CRUSHED ROCK BEDDING.
- ㊵ FURNISH AND INSTALL FOUR (4) 3" ELECTRICAL CONDUIT PENETRATIONS.
- ㊶ FURNISH AND INSTALL 3" SCH 80 PVC VALVE VAULT DRAIN WITH P-TRAP. TRENCH AND BEDDING PER SBCSD E-18, NORMAL BEDDING.
- ㊷ FURNISH AND INSTALL 4" SCH 10, 316 STAINLESS STEEL 90° BEND.
- ㊸ INSTALL 4" OF 3/4" CRUSHED ROCK OVER GEOTEXTILE FABRIC

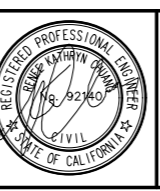


SECTION A-A
SCALE: 1" = 2'

UNDERGROUND SERVICE ALERT
Call: TOLL FREE
1-800-227-2600
OR
811
TWO WORKING DAYS BEFORE YOU DIG

BENCHMARK:
ON CHS MARK AT NORTH WESTERLY CORNER OF BRIDGE AT HOUSTON SPILLWAY AND LAKE DRIVE SAN BERNARDINO COUNTY SURVEYOR BENCH MARK DATUM = NGVD 29 REFERENCE: CSFB4084 - PAGES 1308, 1540 & 2202

BASIS OF BEARINGS:
THE BEARINGS ARE BASED ON CALIFORNIA COORDINATE SYSTEM ZONE 5. THE BEARING IS 62° 10' 52" E BETWEEN SOPAC CORRS STATIONS P612 AND MS08 WAS USED AS THE BASIS OF BEARINGS FOR THIS SURVEY.



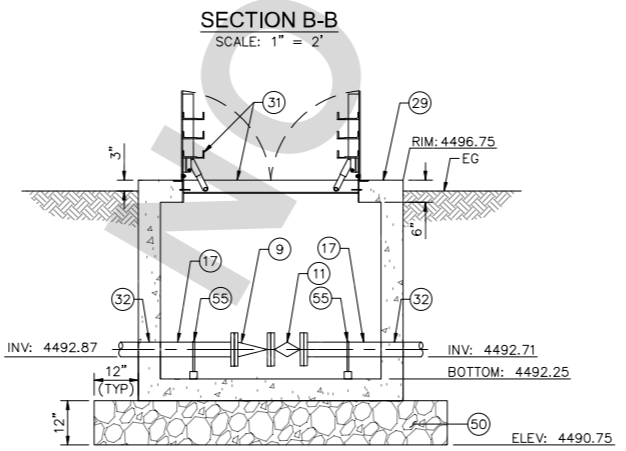
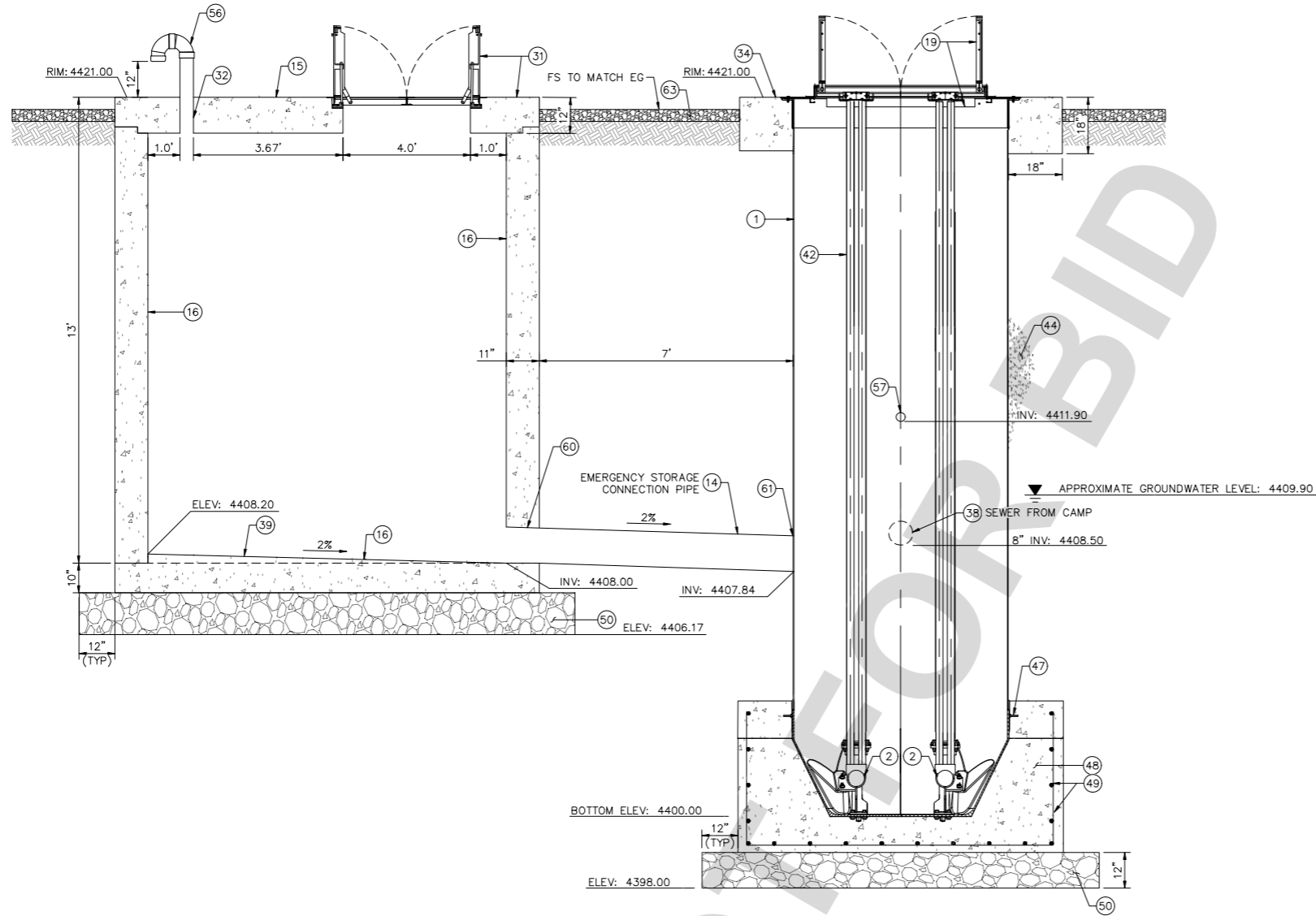
COMPANY ADDRESS AND LOGO
401 B STREET, SUITE 600
SAN DIEGO, CA 92101
(951) 543-9868
WWW.KIMLEY-HORN.COM
Kimley Horn
PREPARED UNDER THE SUPERVISION OF:
RENEE K. CHUANG 92140 6/14/2024
PROFESSIONAL ENGINEER R.C.E. No. DATE

REVISIONS					
MARK	DATE	INITIAL	DESCRIPTION	APPR.	DATE

PLANS APPROVED BY:
SAN BERNARDINO COUNTY - PUBLIC WORKS SPECIAL DISTRICTS
David R. Doublet
ASSISTANT DIRECTOR
APPROVALS:
PROJECT MANAGER: Deanna Lestina
WAS, DIVISION MANAGER: Greg Snyder
PM, DIVISION MANAGER: Noel Mondragon

100% DRAFT IMPROVEMENT PLANS
APN NO. 033714105
CAMP SWITZERLAND
SEWER LIFT STATION
SECTIONS

DWG NO. 30.30.XXXX
FILE NO. SDD-XXX
SHEET 5 OF 20



CONSTRUCTION NOTES

- 1 FURNISH AND INSTALL 6' DIAMETER FLYGT PRE-PACKAGED FIBERGLASS LIFT STATION, OR APPROVED EQUAL.
- 2 FURNISH AND INSTALL FLYGT SUBMERISBLE PUMP, Q = 90 GPM AT 91.5' TDH, CONCERTOR INTEGRATED VFD PUMP, 3 PHASE, 480 V. SEE DETAIL E, SHEET 10 FOR PUMP CURVE.
- 9 FURNISH AND INSTALL 4" SWING CHECK VALVE.
- 11 FURNISH AND INSTALL 4" ECCENTRIC PLUG VALVE.
- 14 FURNISH AND INSTALL 12" SDR-35 PVC TRENCH AND BEDDING PER SBCSD E-18, NORMAL BEDDING.
- 15 FURNISH AND INSTALL 10' DIAMETER JENSEN PRECAST EMERGENCY STORAGE MANHOLE, OR APPROVED EQUAL.
- 16 FURNISH AND INSTALL SINGLE APPLICATION SPRAY-APPLIED EPOXY LINER (200 MILS) ON ALL INTERIOR WALL SURFACES.
- 17 FURNISH AND INSTALL 4" DIP (FLG X PE).
- 19 FURNISH AND INSTALL WET WELL HATCH WITH FALL PROTECTION PER MFR.
- 29 FURNISH AND INSTALL 60" X 60" JENSEN PRECAST VALVE VAULT, OR APPROVED EQUAL.
- 31 FURNISH AND INSTALL 48" X 48" USF FABRICATION VALVE VAULT HATCH WITH FALL PROTECTION, OR APPROVED EQUAL.
- 32 FURNISH AND INSTALL PIPE PENETRATION. SEE DETAIL B, SHEET 10.
- 34 CONSTRUCT CONCRETE RING. SEE DETAIL C, SHEET 11.
- 38 FURNISH AND INSTALL 8" SDR-35 PVC TRENCH AND BEDDING PER SBCSD E-18, NORMAL BEDDING.
- 39 CONSTRUCT GROUT STRUCTURE BASE AT 2% TOWARDS OUTLET
- 42 FURNISH AND INSTALL PUMP GUIDERAILS PER LIFT STATION MFR.
- 44 FURNISH AND INSTALL GRANULAR BACKFILL PER LIFT STATION MFR.
- 47 FURNISH AND INSTALL ANTI-FLOTATION FLANGE PER LIFT STATION MFR.
- 48 CONSTRUCT CONCRETE FOUNDATION. CONCRETE TO BE CLASS 560-C-3250. FOUNDATION PREP PER MFR AND GEOTECH RECOMMENDATIONS.
- 49 FURNISH AND INSTALL #6 @ 12" O.C. EACH WAY.
- 50 FURNISH AND INSTALL 12" DEPTH OF 3/4" CRUSHED ROCK BEDDING.
- 55 FURNISH AND INSTALL VAULT PIPE SUPPORT. SEE DETAIL C, SHEET 10.
- 56 FURNISH AND INSTALL 4" STAINLESS STEEL GOOSENECK VAULT VENT WITH STAINLESS STEEL SCREEN. INSERT AND CLAMP IN PLACE. SET VENT 12" ABOVE RIM.
- 57 FURNISH AND INSTALL 3" SCH 80 PVC VALVE VAULT DRAIN WITH P-TRAP. TRENCH AND BEDDING PER SBCSD E-18, NORMAL BEDDING.
- 60 FURNISH AND INSTALL 12" A-LOK BOOT CONNECTOR, OR APPROVED EQUAL.
- 61 FURNISH AND INSTALL 12" INSERTA-TEE TYPE FITTING PER LIFT STATION MFR RECOMMENDATIONS, OR APPROVED EQUAL.
- 63 INSTALL 4" OF 3/4" CRUSHED ROCK OVER GEOTEXTILE FABRIC

UNDERGROUND SERVICE ALERT

 Call: TOLL FREE
 1-800-227-2600
 OR
 811
 TWO WORKING DAYS BEFORE YOU DIG

BENCHMARK:
 ON CHS MARK AT NORTH WESTERLY CORNER OF BRIDGE AT HOUSTON SPILLWAY AND LAKE DRIVE SAN BERNARDINO COUNTY SURVEYOR BENCH MARK DATUM = NGVD 29 REFERENCE: CSFB4084 - PAGES 1308, 1540 & 2202

BASIS OF BEARINGS:
 THE BEARINGS ARE BASED ON CALIFORNIA COORDINATE SYSTEM ZONE 5. THE BEARING N 62° 10' 52" E BETWEEN SOPAC CORS STATIONS P612 AND MS0B WAS USED AS THE BASIS OF BEARINGS FOR THIS SURVEY.



COMPANY ADDRESS AND LOGO
 401 B STREET, SUITE 600
 SAN DIEGO, CA 92101
 (951) 543-9868
 WWW.KIMLEY-HORN.COM
Kimley Horn
 PREPARED UNDER THE SUPERVISION OF:
 RENEE K. CHUANG 92140 6/14/2024
 PROFESSIONAL ENGINEER R.C.E. No. DATE

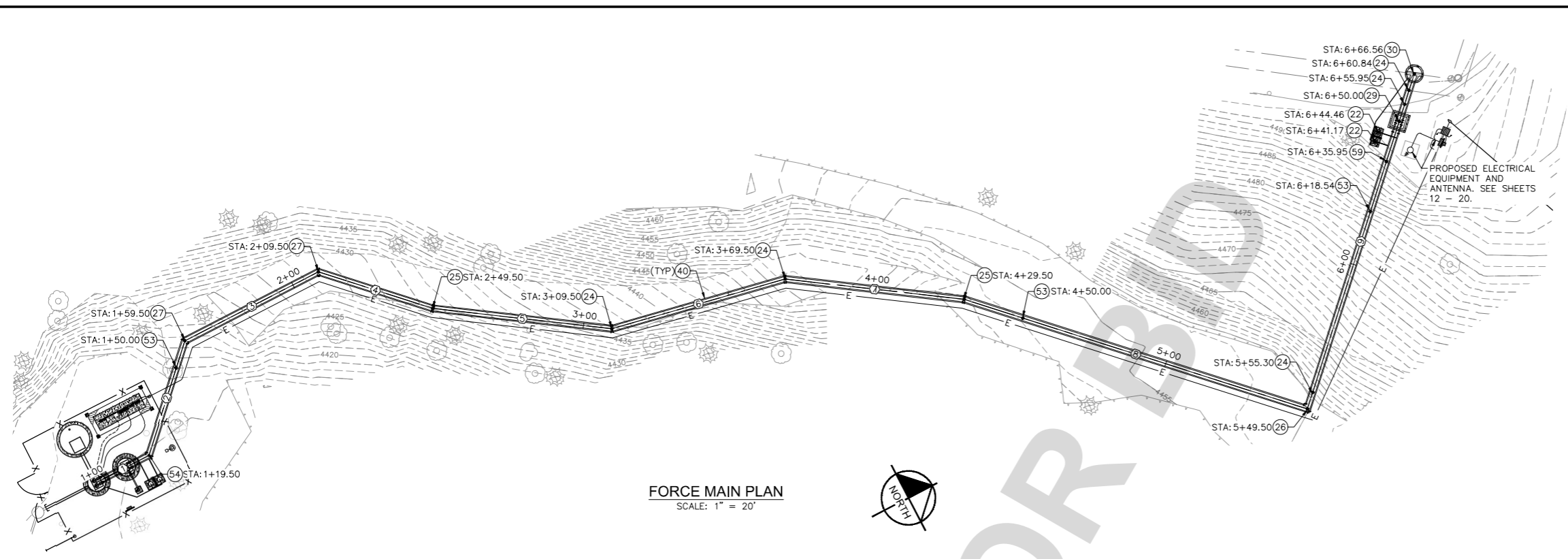
REVISIONS					
MARK	DATE	INITIAL	DESCRIPTION	APPR.	DATE

PLANS APPROVED BY:
SAN BERNARDINO COUNTY - PUBLIC WORKS SPECIAL DISTRICTS
 David R. Doublet
 ASSISTANT DIRECTOR

PROJECT MANAGER	INITIAL	DATE
Deanna Lestina		
WAS. DIVISION MANAGER		
Greg Snyder		
PM. DIVISION MANAGER		
Noel Mondragon		

100% DRAFT IMPROVEMENT PLANS
 APN NO. 033714105
 CAMP SWITZERLAND
 SEWER LIFT STATION
 SECTIONS

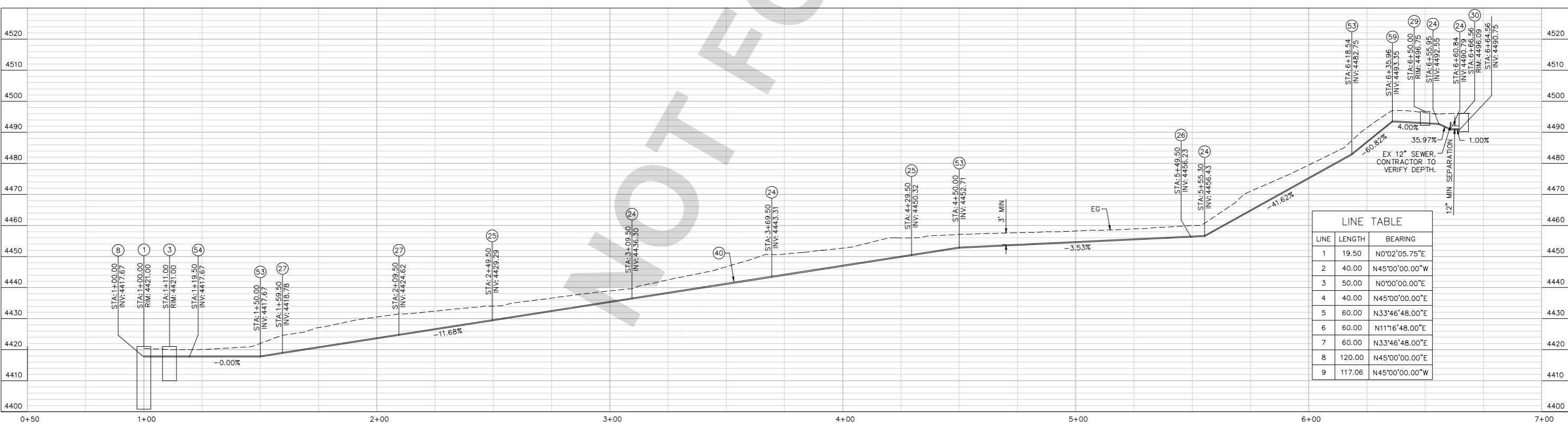
DWG NO.
 30.30.XXXX
 FILE NO.
 SDD-XXX
 SHEET 6 OF 20



CONSTRUCTION NOTES

- ① FURNISH AND INSTALL 6" DIAMETER FLYGT PRE-PACKAGED FIBERGLASS LIFT STATION, OR APPROVED EQUAL.
- ③ FURNISH AND INSTALL 6" DIAMETER FLYGT PRE-PACKAGED VALVE VAULT, OR APPROVED EQUAL.
- ⑧ FURNISH AND INSTALL 4" DIP (FLG x FLG).
- ②② FURNISH AND INSTALL SEWER AIR AND VACUUM COMBINATION RELEASE VALVE ASSEMBLY AND ENCLOSURE. SEE DETAIL A, SHEET 11.
- ②④ FURNISH AND INSTALL 4" 22.5" HDPE DR-13.5 BUTT-FUSION BONDED BEND PER PIPE MFR.
- ②⑤ FURNISH AND INSTALL 4" 11.25" HDPE DR-13.5 BUTT-FUSION BONDED BEND PER PIPE MFR.
- ②⑥ FURNISH AND INSTALL 4" 90" HDPE DR-13.5 BUTT-FUSION BONDED BEND PER PIPE MFR.
- ②⑦ FURNISH AND INSTALL 4" 45" HDPE DR-13.5 BUTT-FUSION BONDED BEND PER PIPE MFR.
- ②⑨ FURNISH AND INSTALL 60" X 60" JENSEN PRECAST VALVE VAULT, OR APPROVED EQUAL.
- ③① FURNISH AND INSTALL 5" DIAMETER DISCHARGE MANHOLE PER WAS STD SM-02 AND SM-03. SEE DETAIL B, SHEET 11.
- ④① FURNISH AND INSTALL 4" HDPE DR-13.5 DUAL FORCE MAIN. TRENCH AND BEDDING PER BCSDD E-18, SPECIAL BEDDING.
- ⑤③ CONSTRUCT HDPE BUTT-FUSION DEFLECTION. ANGLE PER PROFILE.
- ⑤④ FURNISH AND INSTALL 4" 45" DI BEND.
- ⑤⑨ FURNISH AND INSTALL 4" 33.5" HDPE DR-13.5 BUTT-FUSION BONDED BEND PER MFR.

FORCE MAIN PLAN
SCALE: 1" = 20'



FORCE MAIN PROFILE
VERTICAL: 1" = 15'
HORIZONTAL: 1" = 20'

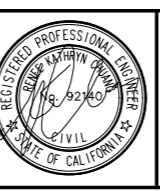
UNDERGROUND SERVICE ALERT

Call: TOLL FREE
1-800-227-2600
OR
811

TWO WORKING DAYS BEFORE YOU DIG

BENCHMARK:
ON CHS MARK AT NORTH WESTERLY CORNER OF BRIDGE AT HOUSTON SPILLWAY AND LAKE DRIVE SAN BERNARDINO COUNTY SURVEYOR BENCH MARK DATUM = NGVD 29
REFERENCE: CSFB4084 - PAGES 1308, 1540 & 2202

BASIS OF BEARINGS:
THE BEARINGS ARE BASED ON CALIFORNIA COORDINATE SYSTEM ZONE 5. THE BEARING N 62° 10' 52" E BETWEEN SOPAC CORS STATIONS P612 AND MS0B WAS USED AS THE BASIS OF BEARINGS FOR THIS SURVEY.



COMPANY ADDRESS AND LOGO
401 B STREET, SUITE 600
SAN DIEGO, CA 92101
(951) 543-9868
WWW.KIMLEY-HORN.COM

Kimley Horn

PREPARED UNDER THE SUPERVISION OF:
RENEE K. CHUANG 92140 6/14/2024
PROFESSIONAL ENGINEER R.C.E. No. DATE

MARK	DATE	INITIAL	DESCRIPTION	APPR.	DATE

PLANS APPROVED BY:
SAN BERNARDINO COUNTY - PUBLIC WORKS
SPECIAL DISTRICTS

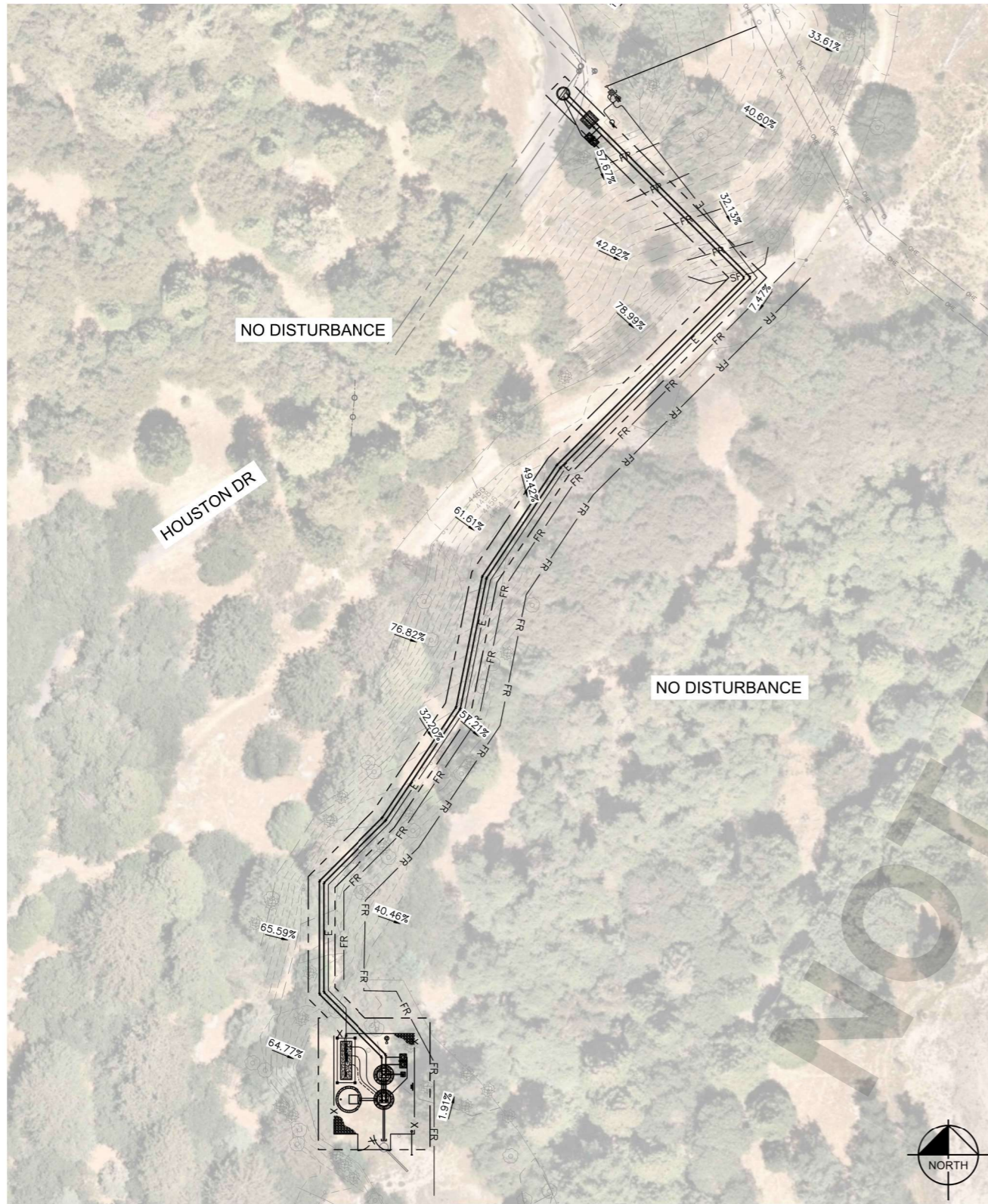
David R. Doublet
ASSISTANT DIRECTOR

PROJECT MANAGER	INITIAL	DATE
Deanna Lestina		
WAS. DIVISION MANAGER	Greg Snyder	
PM. DIVISION MANAGER	Noel Mondragon	

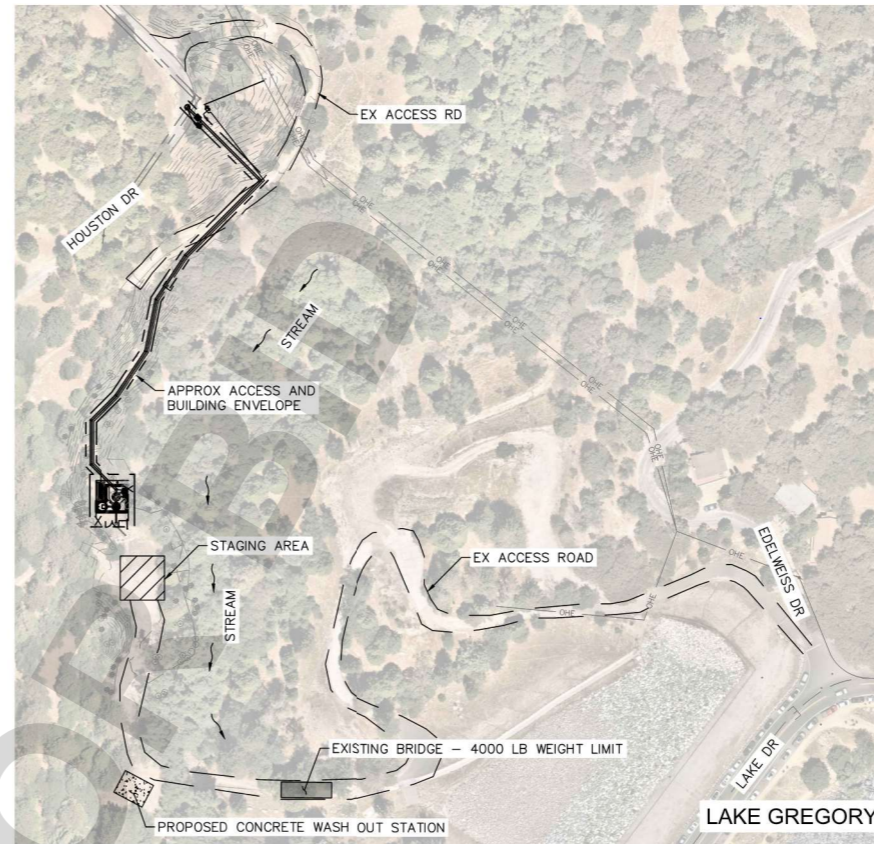
100% DRAFT IMPROVEMENT PLANS

APN NO. 033714105
CAMP SWITZERLAND
SEWER LIFT STATION
FORCE MAIN PLAN AND PROFILE

DWG NO. 30.30.XXXX
FILE NO. SDD-XXX
SHEET 7 OF 20



PROJECT SITE
SCALE: 1" = 30'



PROJECT VICINITY
SCALE: 1" = 100'

EROSION CONTROL LEGEND

BMP FACT SHEET*	NAME	SYMBOL
SE-1	STANDARD SILT FENCE	— SF —
SC-5	TYPE 1 TEMPORARY FIBER ROLLS	— FR —
WM-1	MATERIALS STORAGE AND STAGING AREA	[Hatched Box]
N/A	APPROX ACCESS AND BUILDING ENVELOPE LINE	---
N/A	DIRECTION OF FLOW	57.67%
N/A	CONSTRUCTION ACCESS/EXIT	---
N/A	CONCRETE WASH OUT STATION	[Stippled Box]

*NOTE: BMP FACT SHEETS PER "CALIFORNIA STORMWATER BEST MANAGEMENT PRACTICE HANDBOOK" (CASQA)

RELEVANT BMP FACT SHEETS

- EC-1 SCHEDULING
- EC-2 PRESERVATION OF EXISTING VEGETATION
 - CONTRACTOR TO PRESERVE ALL VEGETATION OUTSIDE OF ACCESS AND BUILDING ENVELOPE LINE
- EC-4 HYDROSEEDING
 - CONTRACTOR TO SUBMIT REVEGETATION PROPOSAL TO COUNTY PRIOR TO REVEGETATION SPECIFYING TYPES OF PLANTS FOR ALL SURFACE TO BE EXPOSED DURING DEVELOPMENT ACTIVITIES
- SE-1 SILT FENCE
- SE-5 FIBER ROLLS
- SE-6 STREET SWEEPING AND VACUUMING
- WE-1 WIND EROSION CONTROL
- WM-1 MATERIAL DELIVERY AND STORAGE
- WM-5 SOLID WASTE MANAGEMENT
 - WHEN CONIFERS ARE CUT DOWN, THE STUMP SHALL BE TREATED WITH GRANULAR BORAX WITHIN ONE (1) HOUR OF CUTTING. ALL FRESHLY CUT LOGS USED ON SITE SHALL BE TREATED WITH AN INSECTICIDE OR THE BARK REMOVED. SLASH SHALL BE TREATED IN A METHOD APPROVED BY THE AGRICULTURE COMMISSIONER
 - ALL EXCESS SPOILS SHALL BE REMOVED TO A SITE WHICH HAS APPROVED EROSION CONTROL.
- WM-8 CONCRETE WASTE MANAGEMENT

EROSION CONTROL NOTES

- IN CASE OF EMERGENCY, CALL THE COUNTY'S EMERGENCY CONTACT AT (760) 995 9885, PRESS 1.
- POLLUTION AND EROSION PREVENTION MEASURES, ALSO KNOWN AS BEST MANAGEMENT PRACTICES (BMPs), MUST BE INSTALLED PRIOR TO CONSTRUCTION. THESE MEASURES, INCLUDING THE PREVENTION OF SEDIMENTATION OR FLOOD DAMAGE, TO OFFSITE PROPERTY SHALL BE ADEQUATE WHETHER OR NOT AN EROSION CONTROL PERMIT IS REQUIRED.
- ERODED SEDIMENTS AND OTHER POLLUTANTS MUST BE RETAINED ONSITE AND MAY NOT BE TRANSPORTED FROM THE SITE VIA SHEET FLOW, SWALES, AREA DRAINS, NATURAL DRAINAGE COURSES, OR WIND.
- EROSION CONTROL DEVICES SHALL BE FUNCTIONING AT ALL TIMES. IN CASE OF FAILURE, RAPID CONSTRUCTION OF EMERGENCY DEVICES SHALL BE IMPLEMENTED.
- STOCKPILES OF EARTH AND OTHER CONSTRUCTION-RELATED MATERIALS MUST BE PROTECTED FROM BEING TRANSPORTED FROM THE SITE BY THE FORCES OF WIND OR WATER.
- FUELS, OILS, SOLVENTS, AND OTHER TOXIC MATERIALS MUST BE STORED IN ACCORDANCE WITH THEIR LISTING AND ARE NOT TO CONTAMINATE THE SOILS AND SURFACE WATERS. ALL APPROVED STORAGE CONTAINERS ARE TO BE PROTECTED FROM THE WEATHER. SPILLS MUST BE CLEANED UP IMMEDIATELY AND DISPOSED OF IN A PROPER MANNER. SPILLS MAY NOT BE WASHED INTO THE DRAINAGE SYSTEM.
- EXCESS OR WASTE CONCRETE MUST BE CONTAINED ONSITE. PROVISIONS SHALL BE MADE TO RETAIN CONCRETE WASTES ONSITE UNTIL THEY CAN BE DISPOSED OF AS SOLID WASTE.
- CONTRACTORS ARE RESPONSIBLE TO ENSURE ALL EROSION CONTROL DEVICES AND BMPs ARE INSTALLED AND FUNCTIONING PROPERLY PER PLAN. PROPER PRECAUTION SHALL BE CONSIDERED WHEN 50% OR GREATER PROBABILITY OF PREDICTED PRECIPITATION, AND AFTER ACTUAL PRECIPITATION. A CONSTRUCTION SITE INSPECTION CHECKLIST AND INSPECTION LOG SHALL BE MAINTAINED AT THE PROJECT SITE AT ALL TIMES AND AVAILABLE FOR REVIEW BY THE COUNTY.
- TRASH AND CONSTRUCTION-RELATED SOLID WASTES MUST BE DEPOSITED INTO A COVERED RECEPTACLE TO PREVENT CONTAMINATION OF RAINWATER AND DISPERSAL BY WIND.
- SEDIMENTS AND OTHER MATERIALS MAY NOT BE TRACKED FROM THE SITE BY VEHICLE TRAFFIC. THE CONSTRUCTION ENTRANCE ROADWAYS MUST BE STABILIZED SO AS TO INHIBIT SEDIMENTS FROM BEING DEPOSITED INTO THE PUBLIC WAY. ACCIDENTAL DEPOSITIONS MUST BE SWEEPED UP IMMEDIATELY AND MAY NOT BE WASHED DOWN BY RAIN OR OTHER MEANS.
- ANY SLOPES WITH DISTURBED SOILS OR DENUDED OF VEGETATION MUST BE STABILIZED SO AS TO INHIBIT EROSION BY WIND AND WATER.
- ALL SILT AND DEBRIS SHALL BE REMOVED FROM ALL DEVICES WITHIN 24 HOURS AFTER EACH RAINSTORM AND BE DISPOSED OF PROPERLY.
- ALL STORM WATER CAPTURE DEVICES SHALL BE PROTECTED AT ALL TIMES.

UNDERGROUND SERVICE ALERT
Call: TOLL FREE
1-800-227-2600
OR
811
TWO WORKING DAYS BEFORE YOU DIG

BENCHMARK:
ON CHS MARK AT NORTH WESTERLY CORNER OF BRIDGE AT HOUSTON SPILLWAY AND LAKE DRIVE SAN BERNARDINO COUNTY SURVEYOR BENCH MARK DATUM = NGVD 29
REFERENCE: CSFB4084 - PAGES 1308, 1540 & 2202

BASIS OF BEARINGS:
THE BEARINGS ARE BASED ON CALIFORNIA COORDINATE SYSTEM ZONE 5. THE BEARING IS 62° 10' 52" E BETWEEN SOPAC CORN STATIONS P612 AND MS0B WAS USED AS THE BASIS OF BEARINGS FOR THIS SURVEY.



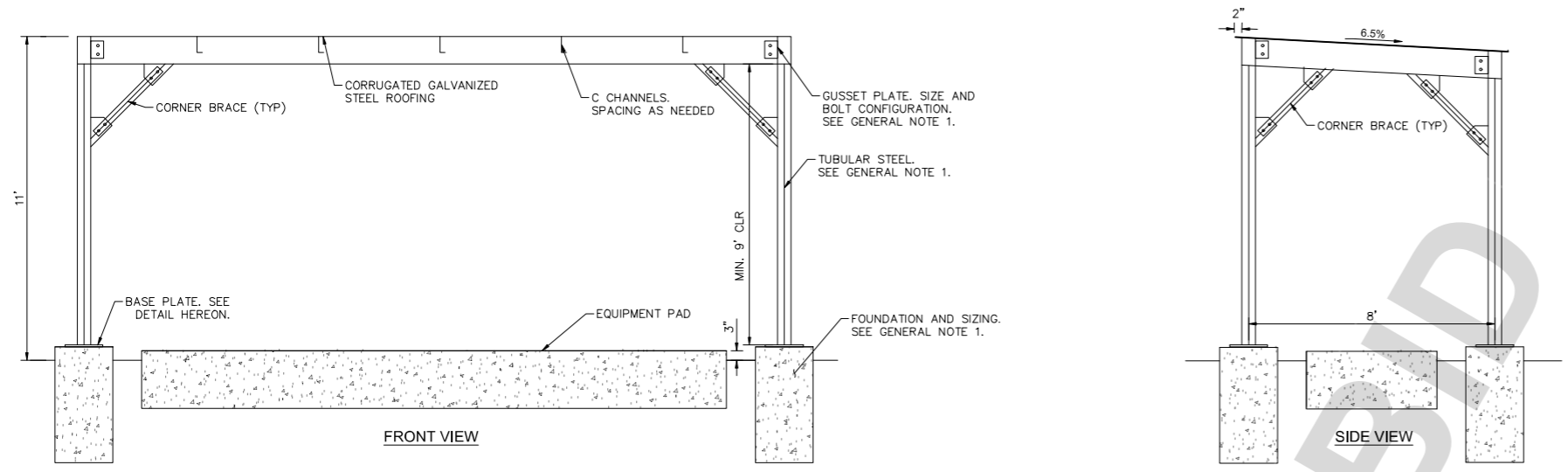
COMPANY ADDRESS AND LOGO
401 B STREET, SUITE 600
SAN DIEGO, CA 92101
(951) 543-9868
WWW.KIMLEY-HORN.COM
KimleyHorn
PREPARED UNDER THE SUPERVISION OF:
RENEE K. CHUANG 92140 6/14/2024
PROFESSIONAL ENGINEER R.C.E. No. DATE

REVISIONS					
MARK	DATE	INITIAL	DESCRIPTION	APPR.	DATE

PLANS APPROVED BY:			
SAN BERNARDINO COUNTY - PUBLIC WORKS SPECIAL DISTRICTS			
David R. Doublet		DATE	
ASSISTANT DIRECTOR			
PROJECT MANAGER	INITIAL	DATE	
WAS, DIVISION MANAGER	Deanna Lesina		
PM, DIVISION MANAGER	Greg Snyder		
	Noel Mondragon		

100% DRAFT IMPROVEMENT PLANS
APN NO. 033714105
CAMP SWITZERLAND
SEWER LIFT STATION
EROSION CONTROL

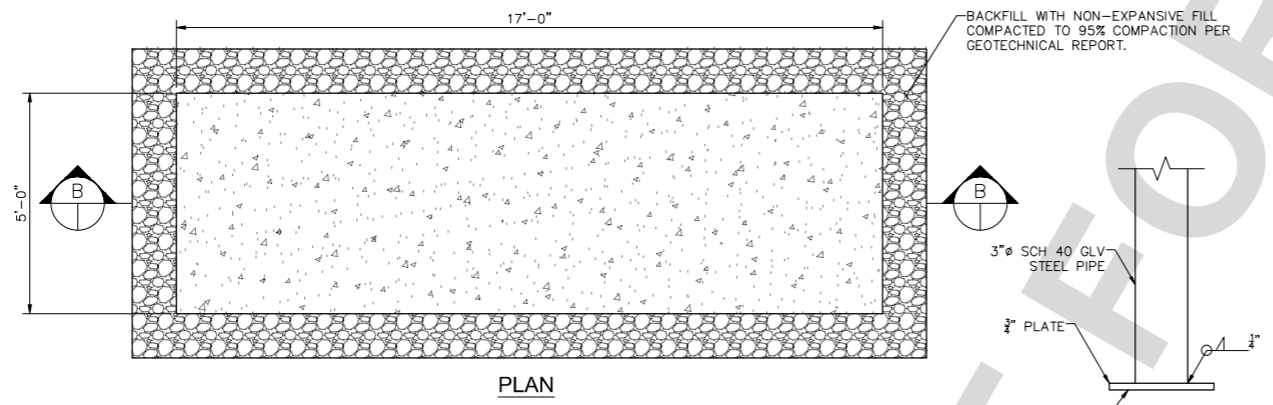
DWG NO.
30.30.XXXX
FILE NO.
SDD-XXX
SHEET 8 OF 20



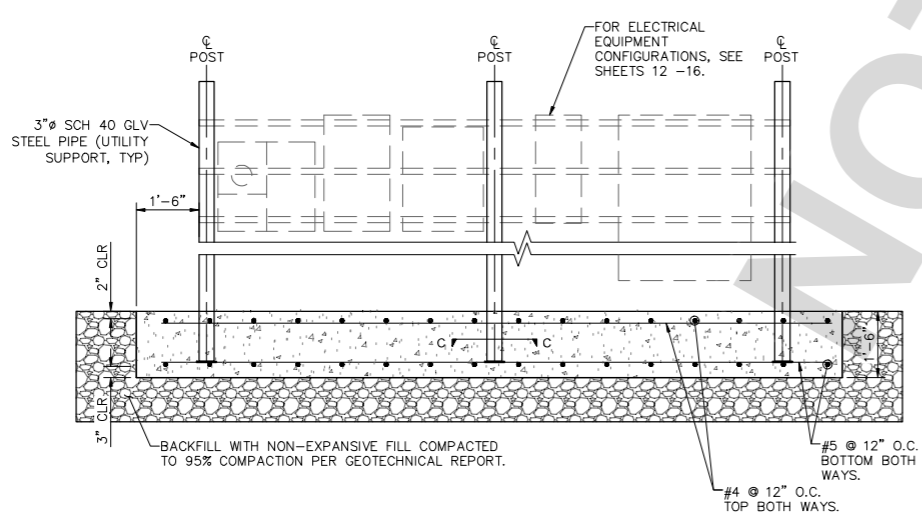
GENERAL NOTES

1. CONTRACTOR IS RESPONSIBLE FOR PREPARING, SUBMITTING, AND PROCESSING SHADE STRUCTURE PLANS AND CALCULATIONS THROUGH THE SAN BERNARDINO COUNTY BUILDING DEPARTMENT FOR PERMIT AND APPROVAL PRIOR TO CONSTRUCTION. SHADE STRUCTURE SHALL BE UNITED DURALUME PRODUCTS, OR APPROVED EQUAL.
2. SHADE STRUCTURE DESIGN SHALL BE BASED ON A WIND SPEED OF 106 MPH AND SEISMIC RECOMMENDATIONS CONTAINED IN THE PROJECT GEOTECHNICAL REPORT.
3. CONTRACTOR TO DESIGN SHADE STRUCTURE FOR LOCAL WEATHER CONDITIONS AND SNOW LOADING. PROVIDE CALCULATIONS TO ENGINEER FOR REVIEW.

A SHADE STRUCTURE FOUNDATION
NOT TO SCALE



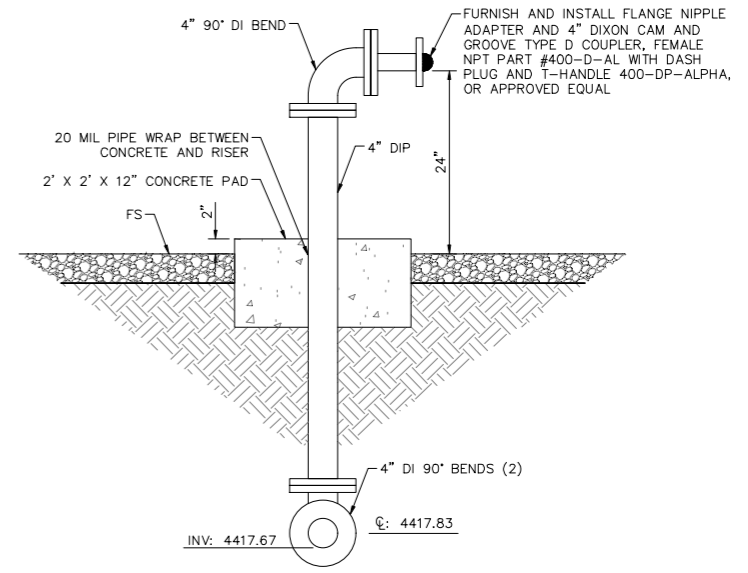
UTILITY SUPPORT SECTION C-C



B ELECTRICAL EQUIPMENT FOUNDATION
NOT TO SCALE

NOTE

1. FOR CABINET ANCHORAGE TO FOUNDATION USE 4, 3/8" HILTI BOLT TZ EXPANSION ANCHORS WITH 3-1/2" MINIMUM EMBEDMENT AT EACH LOCATION.
2. FOLLOW MANUFACTURERS RECOMMENDATION FOR INSTALLATION.
3. DESIGN SPECIFICATIONS:
REINFORCED CONCRETE
F'c = 4,000 PSI
Fy = 60,000 PSI
SOIL
Kp = 2.08 PSF/FT
COEFFICIENT OF FRICTION = 0.36
ALLOWABLE PRESSURE = 2,000 PSF
GEOTECHNICAL REPORT PREPARED BY GEOENGINEERS (AUGUST 9, 2023). REFER TO REPORT FOR FINDINGS AND RECOMMENDATIONS.

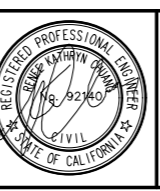


C SEWER BYPASS
NOT TO SCALE

UNDERGROUND SERVICE ALERT
Call: TOLL FREE 1-800-227-2600 OR 811
TWO WORKING DAYS BEFORE YOU DIG

BENCHMARK:
ON CHS MARK AT NORTH WESTERLY CORNER OF BRIDGE AT HOUSTON SPILLWAY AND LAKE DRIVE SAN BERNARDINO COUNTY SURVEYOR BENCH MARK DATUM = NGVD 29 REFERENCE: CSFB4084 - PAGES 1308, 1540 & 2202

BASIS OF BEARINGS:
THE BEARINGS ARE BASED ON CALIFORNIA COORDINATE SYSTEM ZONE 5. THE BEARING N 62° 10' 52" E BETWEEN SOPAC CORS STATIONS P612 AND MS08 WAS USED AS THE BASIS OF BEARINGS FOR THIS SURVEY.



COMPANY ADDRESS AND LOGO
401 B STREET, SUITE 600
SAN DIEGO, CA 92101
(951) 543-9868
WWW.KIMLEY-HORN.COM
Kimley Horn
PREPARED UNDER THE SUPERVISION OF:
RENEE K. CHUANG 92140 6/14/2024
PROFESSIONAL ENGINEER R.C.E. No. DATE

REVISIONS					
MARK	DATE	INITIAL	DESCRIPTION	APPR.	DATE

PLANS APPROVED BY:
SAN BERNARDINO COUNTY - PUBLIC WORKS SPECIAL DISTRICTS
David R. Doublet
ASSISTANT DIRECTOR

PROJECT MANAGER	INITIAL	DATE
Deanna Lestina		
Greg Snyder		
Noel Mondragon		

100% DRAFT IMPROVEMENT PLANS
APN NO. 033714105
CAMP SWITZERLAND
SEWER LIFT STATION
DETAILS

DWG NO. 30.30.XXXX
FILE NO. SDD-XXX
SHEET 9 OF 20