

1. APPROVED RISER BENDS ARE SHOWN ON FOLLOWING TABLE:

MATERIAL	1"	1-1/2"	2"	2-1/2"	3"	4"	5"	6"
UBS	-	-	-	X	X	X	X	X
FIBERGLASS	X	X	X	X	X	X	X	X
HDC	X	X	X	X	X	X	X	X

NOTE: 6" HDC OR FIBERGLASS RISER BEND SHALL BE USED WHEN SPECIFIED ON THE WORKING DRAWING. SEE UGS AC 702 FOR GROUNDING HDC RISER BENDS.

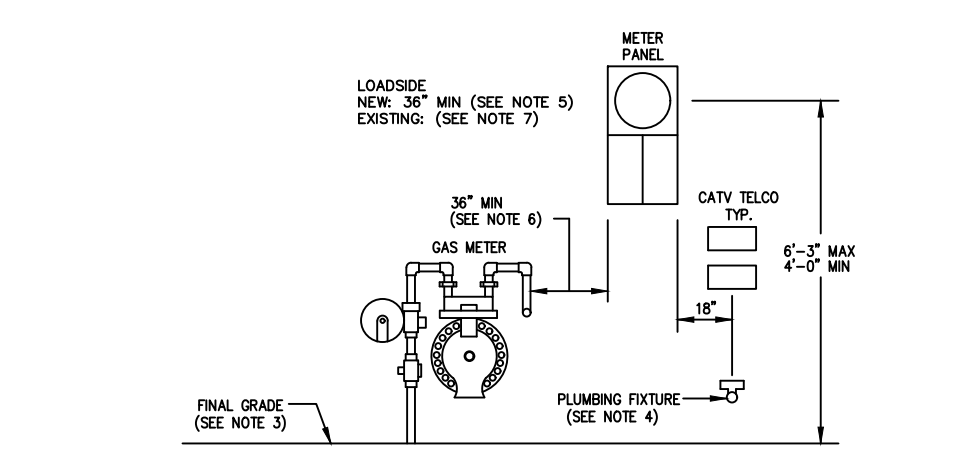
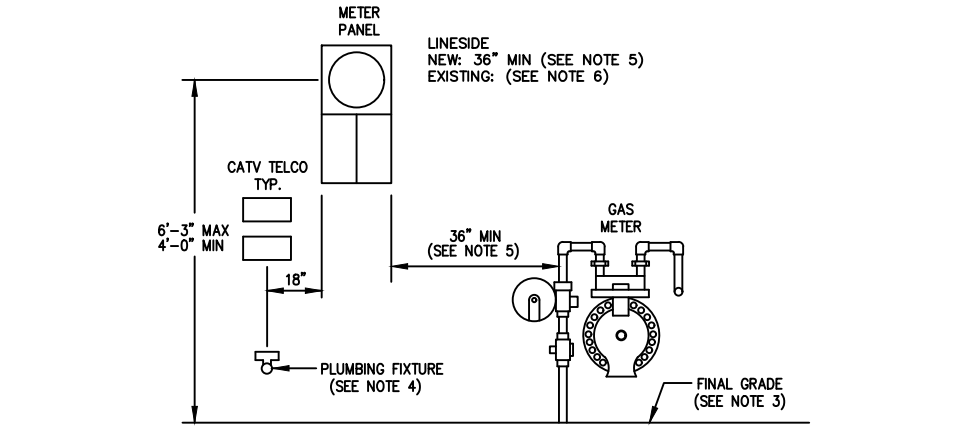
2. THE TOP AND BOTTOM OF 3", 4", 5" OR 6" FIBERGLASS BENDS ARE FURNISHED WITH PERMANENTLY ATTACHED PVC COUPLINGS. ALSO INCLUDED IS A 6" LONG 3", 4", 5" OR 6" SCHEDULE 80 PVC SUB-OUT, SOLVENT WELDED INTO THE TOP COUPLING. SEE UGS CD 166 FOR FIBERGLASS RISER BEND MATERIAL INFORMATION AND SUPPLIERS.

3. TWO GROUND RODS ARE REQUIRED AT ALL PRIMARY RISER POLES. DRIVE RODS IN TRENCH BOTTOM WITH 6" MINIMUM SEPARATION IN UNDISTURBED EARTH. LEAVE THE ROD TOPS 3" ABOVE THE TRENCH BOTTOM AND ATTACH CONTINUOUS GROUND WIRE WITH CLAMP. EXTEND WIRE TO INDICATED LOCATION ON POLE AND STUB UP 2' ABOVE GRADE IN WOOD MOULDING. ALL GROUNDING MATERIALS FURNISHED BY CONTRACTORS. SEE UGS AC 703 FOR APPROVED GROUNDING MATERIALS.

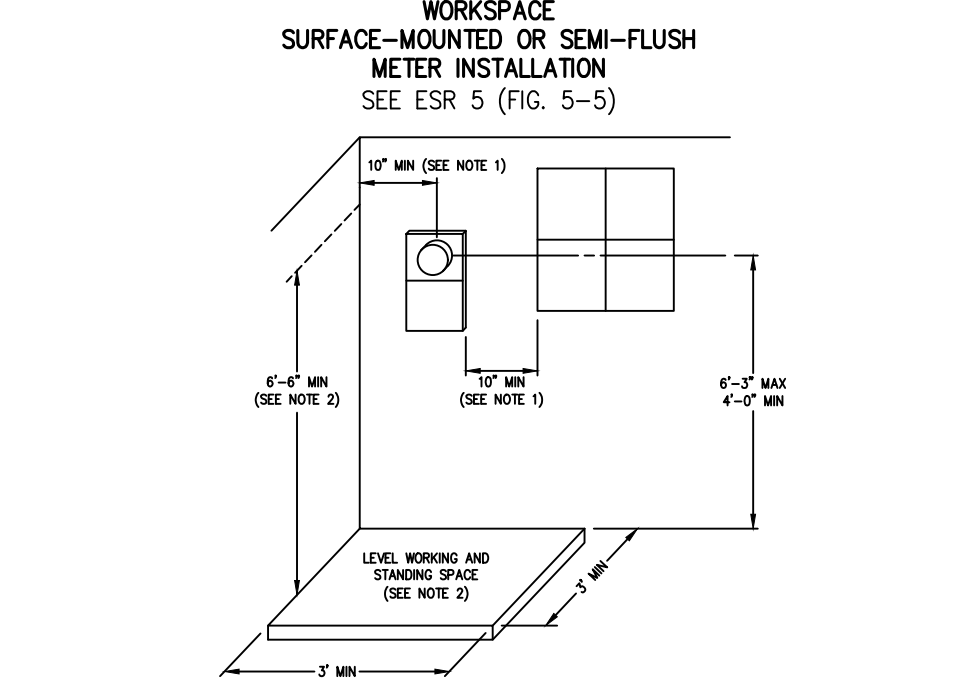
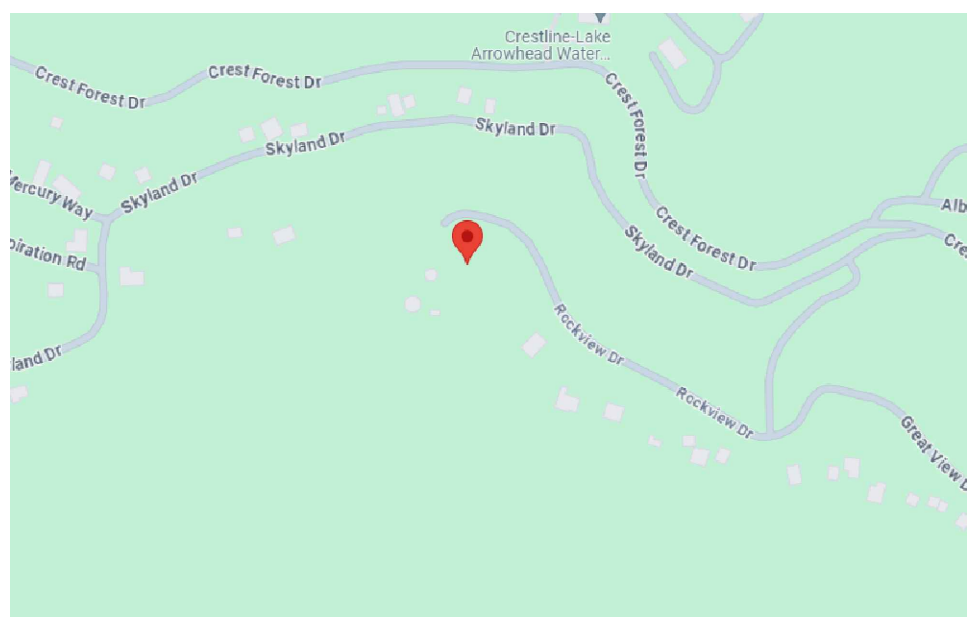
4. ENCLOSURE REQUIRED ONLY WHEN CALLED OUT ON WORKING DRAWING.

5. PVC RISERS MAY BE SUBSTITUTED FOR FIBERGLASS FOR STRAIGHT RUNS OF 150' OR LESS IN CONDUIT SIZES 4" AND UNDER.

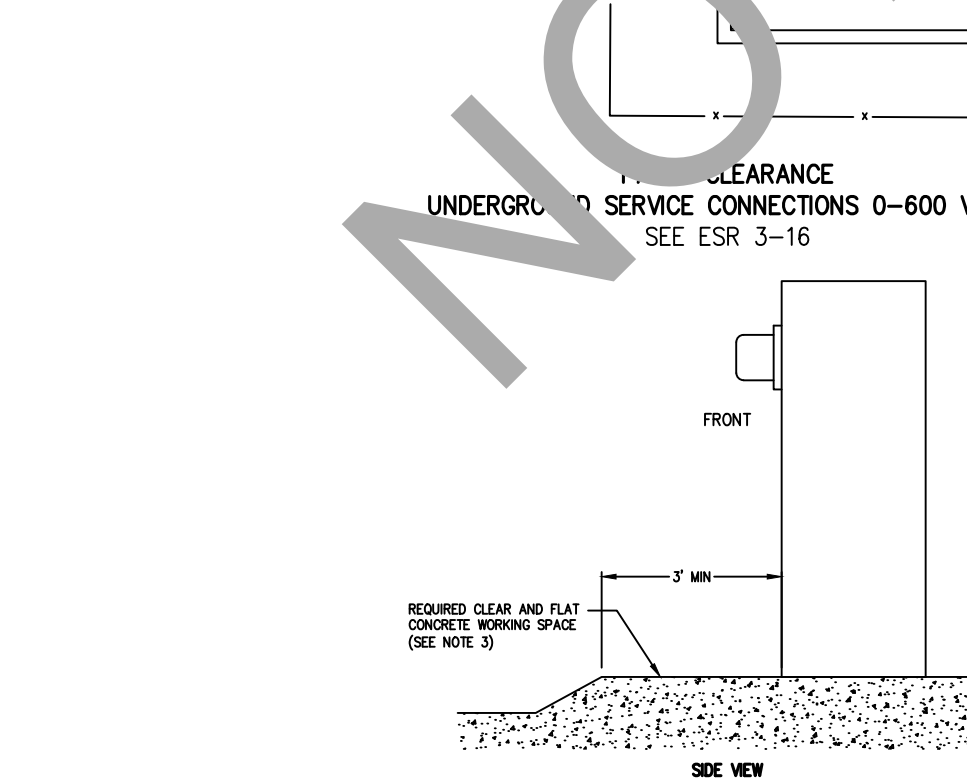
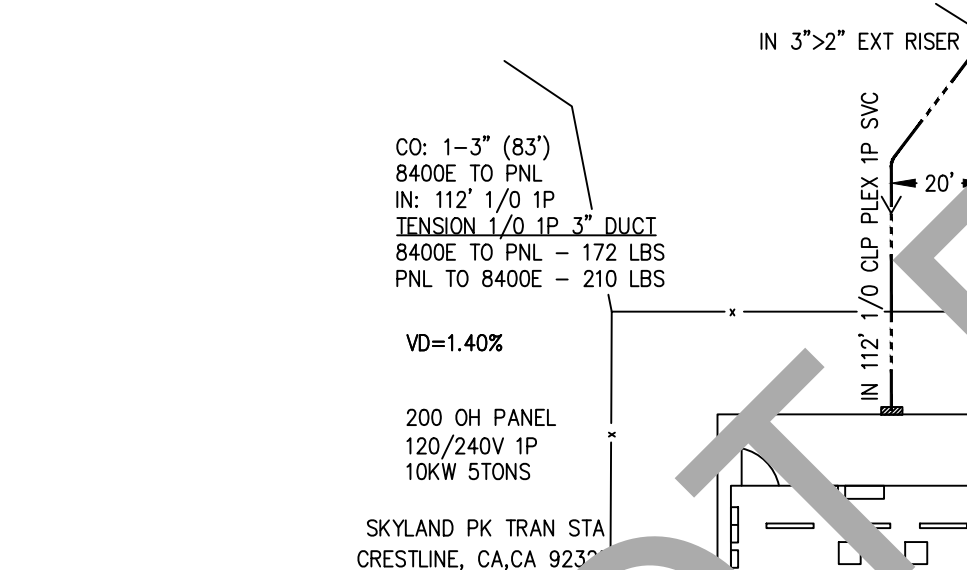
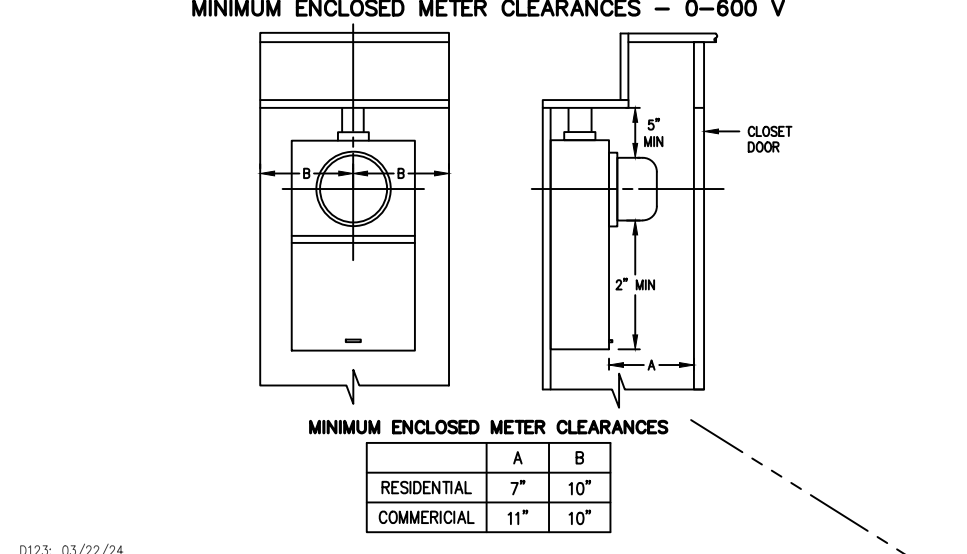
SEPARATION OF METER ASSEMBLIES FOR ELECTRIC & GAS SERVICES SEE ESR 5-19



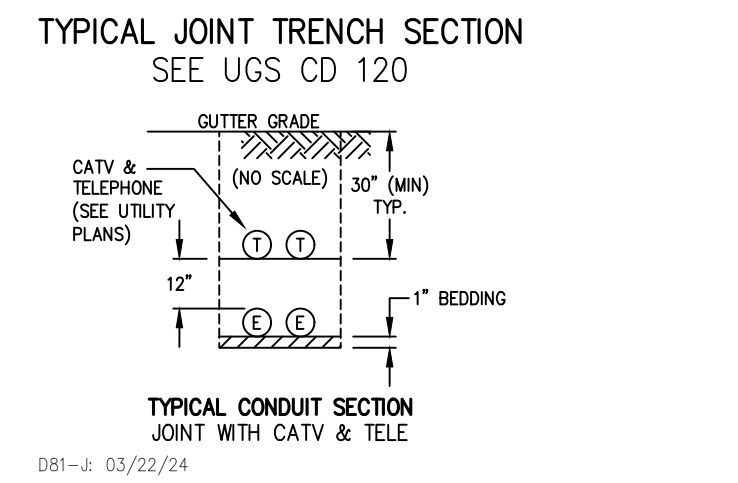
- NOTES:
1. SIZE AND DIMENSIONS OF PANELS WILL VARY. DRAWINGS ARE NOT TO SCALE.
  2. THIS DRAWING PERTAINS TO BOTH OVERHEAD AND UNDERGROUND ELECTRIC SERVICE APPLICATIONS.
  3. MAINTAIN A 3'-0" CLEAR, LEVEL, AND UNOBSTRUCTED WORKSPACE IN FRONT OF ELECTRIC SERVICE EQUIPMENT.
  4. PLUMBING FIXTURES THAT EXTEND MORE THAN 6 INCHES OUT FROM WALL SURFACE MUST BE LOCATED 18 INCHES MINIMUM FROM THE OUTSIDE EDGE OF THE METER PANEL.
  5. FOR NEW CONSTRUCTION ONLY, DOES NOT APPLY FOR UPGRADES.
  6. UPGRADES AND REPLACEMENTS - LINE SIDE PANELS THAT ARE CURRENTLY INSTALLED 24 INCHES OR GREATER FROM THE LINE SIDE OF THE GAS METER, CLEARANCE MAY NOT BE REDUCED. PANELS THAT ARE CURRENTLY INSTALLED LESS THAN 24 INCHES FROM THE GAS METER, MAY REMAIN (OR BE RE-INSTALLED) IN EXISTING LOCATION.
  7. UPGRADES AND REPLACEMENTS - LOAD SIDE PANELS THAT ARE CURRENTLY INSTALLED 18 INCHES OR GREATER FROM THE LOAD SIDE OF THE GAS METER, CLEARANCE MAY NOT BE REDUCED. PANELS THAT ARE CURRENTLY INSTALLED LESS THAN 18 INCHES FROM THE GAS METER, MAY REMAIN (OR BE RE-INSTALLED) IN EXISTING LOCATION.



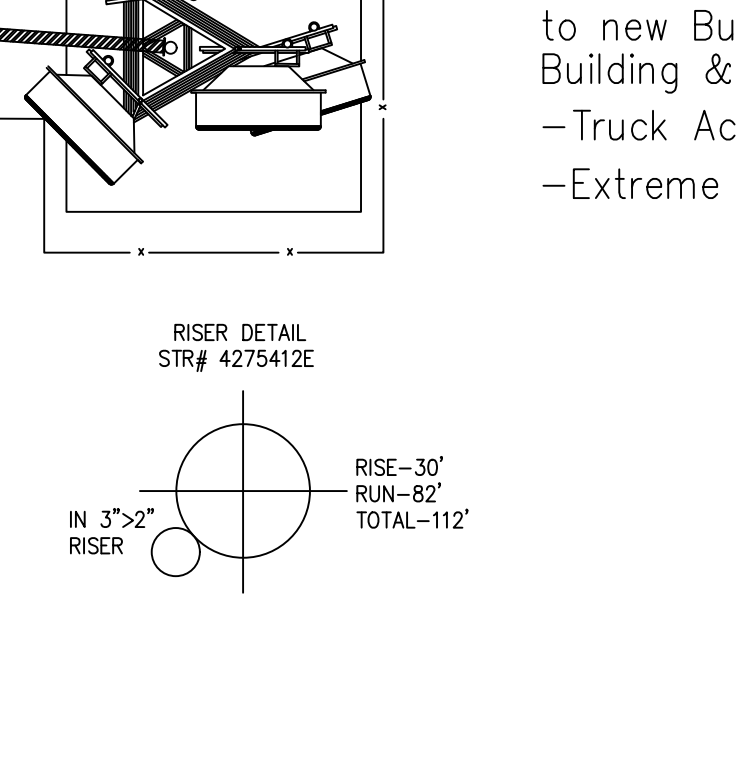
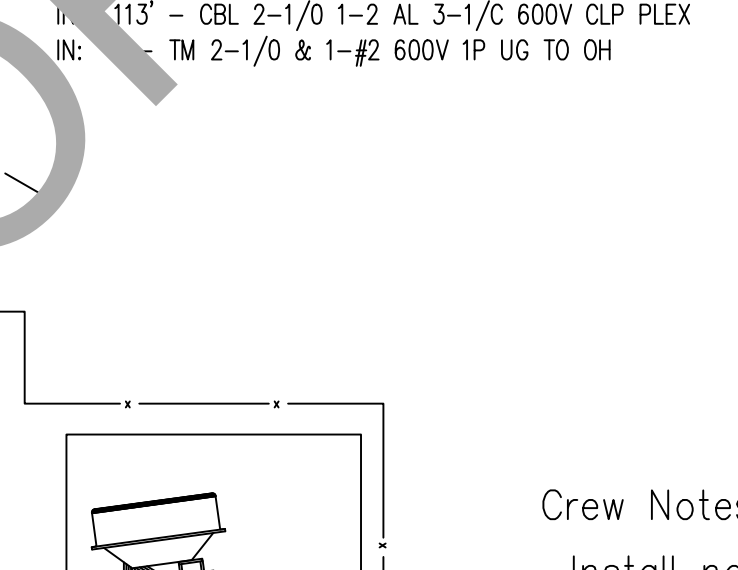
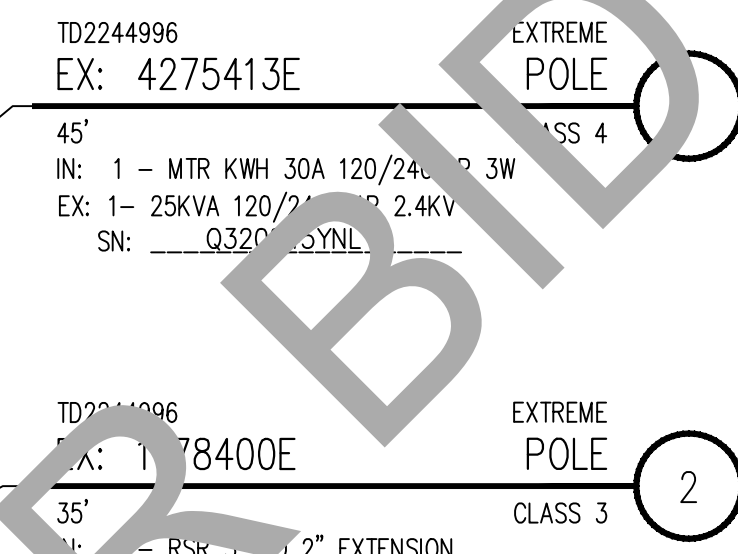
- NOTES:
1. THE HORIZONTAL CLEARANCE FROM THE CENTERLINE OF THE METER TO THE NEAREST SIDE WALL OR OTHER OBSTRUCTION SHALL BE 10 INCHES MINIMUM. A HORIZONTAL CLEARANCE FROM THE EDGE OF THE METER PANEL TO THE EDGE OF A WINDOW OR DOORWAY (INCLUDING SLIDING GLASS DOORS) SHALL BE 10 INCHES MINIMUM. A GAS METER OR PLUMBING FIXTURE THAT DOES NOT PROTRUDE MORE THAN 6 INCHES OUT FROM THE WALL, OR EXTEND LESS THAN 18 INCHES HORIZONTALLY FROM THE OUTSIDE EDGE OF THE METER PANEL, SHALL NOT BE CONSIDERED AN OBSTRUCTION. SEE FIGURE 5-4.
  2. A LEVEL WORKING AND STANDING SURFACE, CLEAR AND UNOBSTRUCTED, ENTIRELY ON THE PROPERTY OF THE CUSTOMER, SHALL BE PROVIDED. THE MINIMUM WIDTH OF THE WORKSPACE SHALL BE 36 INCHES OVERALL, BUT NEED NOT BE CENTERED BENEATH THE METER. THE MINIMUM DEPTH OF THE WORKSPACE SHALL BE 36 INCHES, WHERE METERS ARE ENCLOSED IN A CLOSET OR RECESSED IN AN ENCLOSURE, THE DEPTH OF THE WORKSPACE IS MEASURED FROM THE OUTER FACE OF THE CLOSET OR RECESS. THE MINIMUM HEIGHT OF THE WORKSPACE SHALL BE 78 INCHES.



- NOTES:
1. A MINIMUM OF THREE (3) FEET OF CLEAR, LEVEL WORKSPACE IS REQUIRED IN FRONT OF ALL TERMINATION, METERING, AND SERVICE EQUIPMENT.
  2. SEE ESR-5 FOR METER-MOUNTING HEIGHT REQUIREMENTS. METER-MOUNTING HEIGHT WILL BE MEASURED FROM THE STANDING AND WORKING SPACE TO THE CENTERLINE OF THE METERS.
  3. WHEN SERVICE EQUIPMENT IS INSTALLED ON AN ELEVATED PORTION OF THE FLOOR/GROUND, OR HOUSEKEEPING PAD, THE PAD SHALL BE FLUSH WITH AND EXTEND A MINIMUM OF THREE (3) FEET. THIS IS MEASURED FROM THE FRONT OF THE SERVICE EQUIPMENT OR THE OUTER DOOR(S) OF THE SWITCHBOARD ROOM OR ENCLOSURE WHEN INSTALLED. IN NO CASE SHALL THE MAXIMUM METER HEIGHT OF 6'-3" BE EXCEEDED.
  4. TO MAINTAIN A SAFE, CLEAR, AND LEVEL WORKING AREA IN FRONT OF NEW OR EXISTING METER AND SERVICE EQUIPMENT, A CONCRETE SLAB, ACCEPTABLE TO THE COMPANY, MUST BE USED.
  5. FOR SWITCHBOARDS ABOVE 600V, FIVE-FOOT MINIMUM OF CLEAR AND LEVEL CONCRETE STANDING AND WORKING SPACE IS REQUIRED IN THE FRONT, REAR, AND SIDE OF ANY SECTION WHERE SUCH PART SUPPORTS OR PROVIDES ACCESS TO METERING, TESTING EQUIPMENT, OR SERVICE CABLE TERMINATION SECTIONS.
- 16.11 PROTECTIVE BARRIERS (POSTS/BOLLARDS) FOR SERVICE EQUIPMENT**  
 BARRIER POSTS/BOLLARDS ARE USED TO PROTECT THE METER AND SERVICE EQUIPMENT, AS WELL AS PERSONNEL, FROM VEHICULAR CONTACT, AND TO PROMPT ENCRICHMENT INTO THE WORKING SPACE (FOR EXAMPLE, LOADING ZONES, DRIVEWAYS, CONGESTED AREAS, OFF STREET PARKING, AND SO ON).
- THE CUSTOMER SHALL PROVIDE AND INSTALL "NON-REMOVABLE" BARRIERS (POSTS/BOLLARDS) TO PROVIDE THE PROPER SAFE WORKING CLEARANCES WHERE THE WORKSPACE IS EXPOSED TO VEHICULAR OR OTHER HAZARDOUS CONDITIONS. METERS WILL NOT BE SET UNTIL THE BARRIERS HAVE BEEN INSTALLED. METER CABINET DOORS MUST OPEN A MINIMUM OF 90 DEGREES AND NOT CONFLICT WITH BARRIER POSTS. A MINIMUM CLEARANCE OF 3'-FEET IS REQUIRED FROM THE FACE OF THE SWITCH GEAR TO THE BOLLARD/POST.



T.D. DATA: 4275413E  
 SIZE KVA CUST % LOAD  
 EXIST. 25 12.3 3 49 %  
 PROP. 25 12.3 3 49 %  
 VOLTAGE DROP: 1.40%  
 FLICKER FACTOR: -  
 PRI. CIRCUIT: CRESTLINE 2.4



Crew Notes:  
 -Install new Riser, Meter & Service to new Building for County Communication Building & Antenna.  
 -Truck Access OK  
 -Extreme High Fire Area

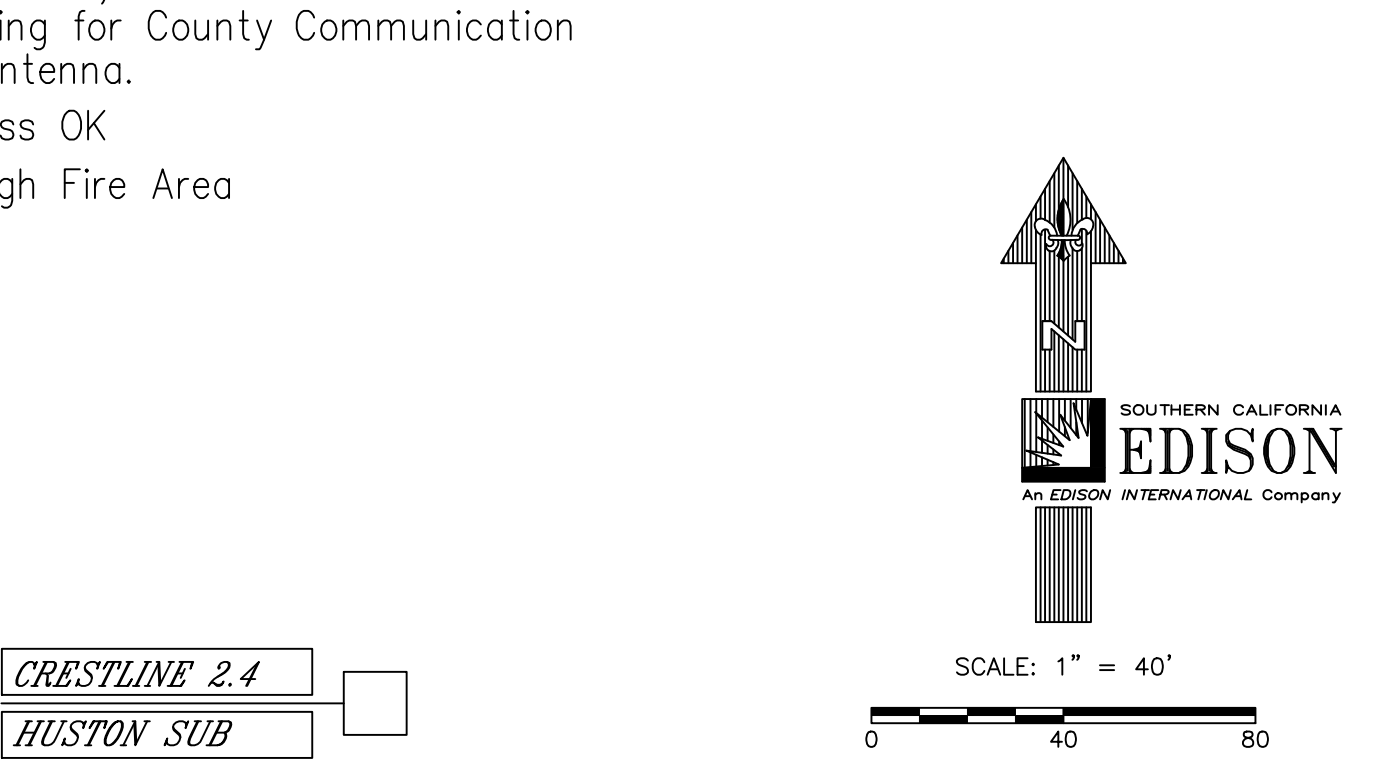
PROJECT REQUIREMENTS (Y/N)

EDISON EASEMENT REQUIRED	<input checked="" type="checkbox"/>
PWRD 88 REQUIRED UG	<input checked="" type="checkbox"/>
CIVIL ONLY WORK ORDER	<input checked="" type="checkbox"/>
PERMIT REQUIRED	<input checked="" type="checkbox"/>
OUTAGE REQUIRED	<input checked="" type="checkbox"/>
TRAFFIC CONTROL REQUIRED	<input checked="" type="checkbox"/>
PED. TRAFFIC CONTROL REQ'D	<input checked="" type="checkbox"/>
CONVEYANCE LETTER REQ'D	<input checked="" type="checkbox"/>
ENVIRONMENTAL REQUIREMENTS DOCUMENT (ERD) REQUIRED	<input checked="" type="checkbox"/>
CSD 140 (TLM) REQ'D	<input checked="" type="checkbox"/>
CIRCUIT MAP CHANGE REQ'D (TD 203)	<input checked="" type="checkbox"/>
DIG ALERT APP	<input checked="" type="checkbox"/>
VERIFIED ACTIVE AND CONFIRMED USA TICKETS	<input checked="" type="checkbox"/>
UTILQUEST NOTIFIED	<input type="checkbox"/>
FAA MARKING REQ'D	<input type="checkbox"/>
STANDARD ADHERENCE: 1_Q/2024_Y	

NOTE: ALL ELECTRICAL DUCTS AND STRUCTURES WILL CONFORM TO GENERAL ORDER #128 (RULES FOR CONSTRUCTION OF UNDERGROUND ELECTRICAL SUPPLY AND COMMUNICATION PRESCRIBED BY THE PUBLIC UTILITIES COMMISSION OF THE STATE OF CALIFORNIA, JANUARY 2006).

**WARNING**  
 THE EXCAVATOR MUST TAKE ALL STEPS NECESSARY TO AVOID CONTACT WITH UNDERGROUND FACILITIES WHICH MAY RESULT IN INJURY TO PERSONS OR DAMAGE TO FACILITIES IN THE AREA. THE INDICATED LOCATIONS OF EDISON UNDERGROUND FACILITIES, AS PROVIDED, ARE BELIEVED TO BE ACCURATE. HOWEVER, THE FINAL DETERMINATION OF EXACT LOCATIONS AND THE COST OF REPAIR TO DAMAGED FACILITIES IS THE RESPONSIBILITY OF THE EXCAVATOR.

**UNDERGROUND SERVICE ALERT**  
 Contact USA  
 Dial 811 or 800-422-4133  
 www.digalert.org/contact  
 FOR UNDERGROUND LOCATING  
 TWO WORKING DAYS BEFORE YOU DIG



DISTRICT 40 - ARROWHEAD		PROJ. MGR. Branson, Tim	PLANNER Branson, Tim	DESIGNER Branson, Tim
PROJECT NO. 2677860	SERVICE REQUEST 356367	MSR NO.	PRODUCT-1 2244996-METER & SERVICE CHANGE	ASSOC DESGN
CIRCUIT / VOLTAGE CRESTLINE 2.4		GPS SEE MAP	PRODUCT-2	ASSOC DESGN
SUB / PG NO. HUSTON	CIRCUIT CODE 04260	PRODUCT-3	ASSOC DESGN	
INVENTORY MAP 266-2217-1	J.P.A. NO.	PROPOSED CONSTRUCTION (LOCATION)		
34.232627° N, 117.278099° W CRESTLINE CA 92325				
TYPE	DATE	APPROVED BY	CHECKED BY	DRAWN BY
Southern California Edison Company				
SHEET # OF ##				DESIGN/DRWG NO. 1716368_0.01