

WARNING: ALL INDIVIDUALS INTERESTED IN BIDDING ON THIS PROJECT MUST OBTAIN THE FINAL PLANS AND SPECIFICATIONS FROM THE DEPARTMENT MANAGING THE PROJECT OR AS OTHERWISE STATED IN THE ADVERTISEMENT FOR BIDS FOR THE PROJECT. DO NOT USE THE PLANS AND SPECIFICATIONS POSTED ON THE CLERK OF THE BOARD'S WEBSITE FOR BIDDING ON THIS PROJECT.

TOPOGRAPHIC SURVEY
SAN BERNARDINO SHERIFF'S EVOC
18901 INSTITUTION RD, SAN BERNARDINO, CALIFORNIA
 SEPTEMBER 2022



VICINITY MAP
NOT TO SCALE

LEGEND

- CONTROL POINT
- SIGN
- ADA STALL
- CONTOURS
- SPOT ELEVATION
- SEWER LINE
- ELECTRICAL LINE
- COMMUNICATION LINE
- GAS LINE
- WATER LINE
- STORM DRAIN LINE

ABBREVIATIONS

- BFP BACKFLOW PREVENTOR
- CF CURB FACE
- CLF CHAIN LINK FENCE
- CO CLEAN OUT
- CONC CONCRETE
- E EQUIP
- EP EDGE OF PAVEMENT
- E TRANS ELECTRICAL TRANSFORMER
- HCR HANDICAP RAMP
- ICV IRRIGATION CONTROL VALVE
- LIP LIP OF GUTTER
- LP LIGHT POLE
- MH MANHOLE
- MON MONUMENT
- OVHG OVERHANG
- PB PULL BOX
- P.F. POWER POLE
- S SEWER
- TE TRASH ENCLOSURE
- TU TOP OF UTILITY
- UNK UNKNOWN
- V VALVE
- VLT VAULT
- W WATER

HORIZONTAL & VERTICAL DATUM

THE BASIS OF COORDINATES IS BASED UPON THE CALIFORNIA STATE PLANE COORDINATE SYSTEM OF 1983, ZONE 5 (NAD83), 2010 EPOCH. THE BASIS OF ELEVATION IS NORTH AMERICAN VERTICAL DATUM OF 1988 (NAVD88).

UTILITY NOTE

THE LOCATIONS OF UTILITIES ARE SHOWN HEREON BY OBSERVED EVIDENCE ONLY. THE SURVEYOR MAKES NO GUARANTEE THE UNDERGROUND UTILITIES SHOWN HEREON CONSISTS ALL SUCH UTILITIES IN THE AREA. THE SURVEYOR FURTHER DOES NOT WARRANT THE EXACT LOCATIONS OF UTILITIES SHOWN HEREON. THE SURVEYOR HAS NOT PHYSICALLY LOCATED THE UNDERGROUND UTILITIES.

SURVEYORS NOTE

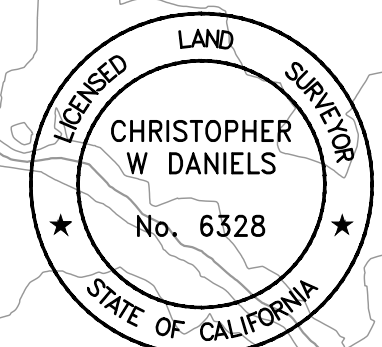
NO TITLE REPORT WAS SUPPLIED TO THE SURVEYOR. THE SURVEYOR CLAIMS NO RESPONSIBILITY FOR EASEMENTS OR ANY OTHER RESTRICTIONS AFFECTING THE PROPERTY THAT ARE NOT SHOWN, IF ANY.

SURVEYOR'S STATEMENT

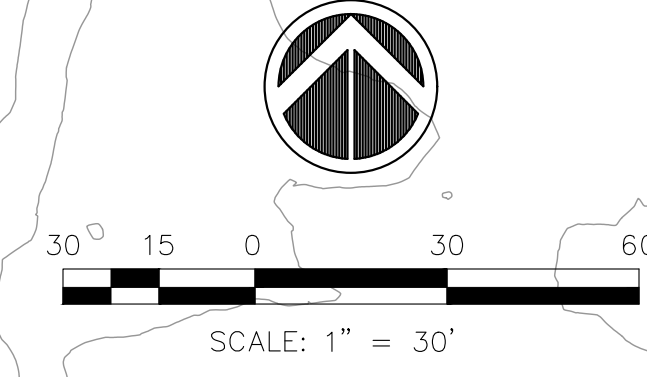
IN HEREBY STATE THIS SURVEY WAS PERFORMED UNDER MY SUPERVISION:

DATE OF FIELD SURVEY: 10/20/2022

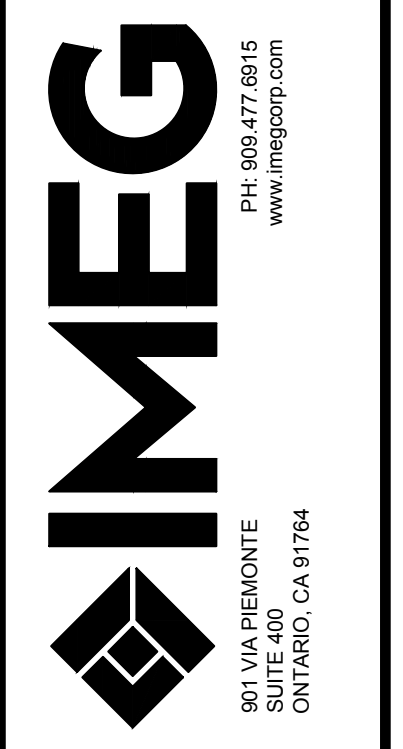
Christopher W. Daniels



NOT FOR BID



NO.	REVISIONS	DESCRIPTION	DATE

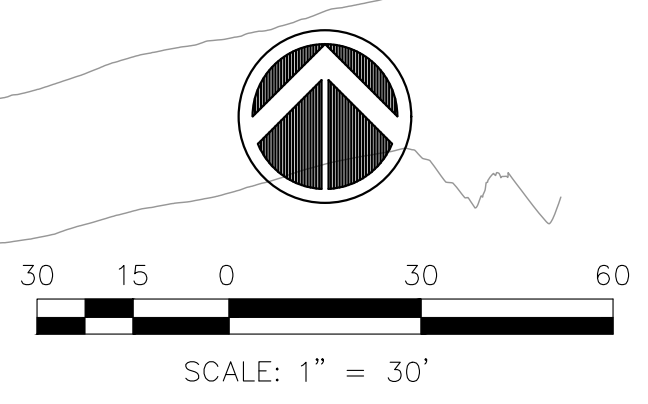


SAN BERNARDINO COUNTY SHERIFF'S EVOC
 18901 INSTITUTION RD, SAN BERNARDINO, CA
 TOPOGRAPHIC SURVEY

IMEG Project No:
22006394.00
 File Name:
6394.00 Topo Base.dwg
 © COPYRIGHT 2022
ALL RIGHTS RESERVED
 Field Book No:
 Drawn By: BHI
 Checked By: NDO
 Date: 10/21/2022
V-1
 Sheet 1 of 8

Wednesday, November 9, 2022, 10:06:26 PM
 \\FILES\A\THE PROJECTS\2022\22006394\00\DESIGN\CIVIL\3D\SURVEY\18901_00_TOPO_BASE.DWG

Wednesday, November 9, 2022, 10:06:42 PM
\\FILES\PROJECTS\2022\2206394\00\ISSUES\01\CAD\SURVEY\2206394_03_TOPO_BASE.dwg



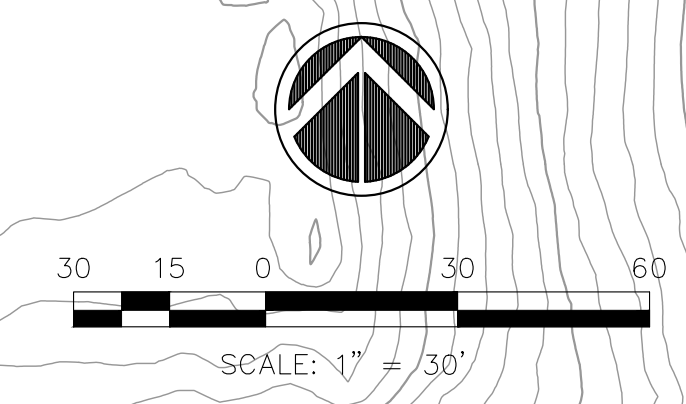
NO.	REVISIONS	DESCRIPTION	DATE

IMEG
 801 VIA RENOITE
 SUITE 400
 CHATSWORTH, CA 91311
 PH: 800-477-8915
 www.imeg.com

SAN BERNARDINO COUNTY SHERIFF'S EVOC
 18901 INSTITUTION RD, SAN BERNARDINO, CA
TOPOGRAPHIC SURVEY

IMEG Project No:
22006394.00
 File Name:
6394.00 Topo Base.dwg
 © COPYRIGHT 2022
ALL RIGHTS RESERVED
 Field Book No:
 Drawn By: BHI
 Checked By: NDO
 Date: 10/21/2022
V-4
 Sheet 4 of 8

Wednesday, November 9, 2022, 10:06:48 PM
\\FILES\PROJECTS\2022\2206394\00\DESIGN\Civil\3D\SURVEY\13240_00_TOPO_BASE.dwg



NOT FOR BID

NO.	REVISIONS DESCRIPTION	DATE

IMEG
 801 VIA PENNACOTE
 SUITE 400
 CARPENTERS, CA 91794
 PH: 909-477-6015
 www.imegcorp.com

SAN BERNARDINO COUNTY SHERIFF'S EVOC
 18901 INSTITUTION RD, SAN BERNARDINO, CA

TOPOGRAPHIC SURVEY

IMEG Project No:
22006394.00

File Name:
6394.00 Topo Base.dwg

© COPYRIGHT 2022
ALL RIGHTS RESERVED

Field Book No:

Drawn By: BHI

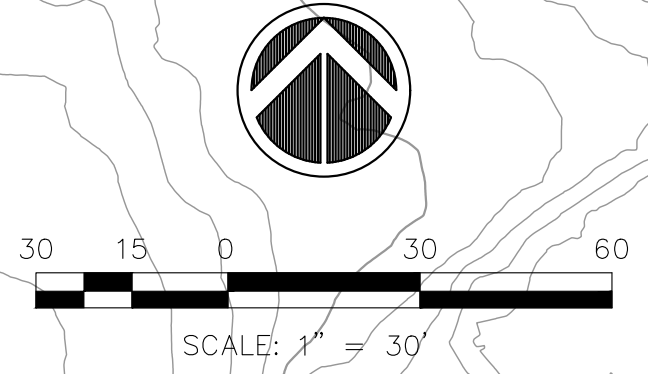
Checked By: NDO

Date: 10/21/2022

V-5

Sheet 5 of 8

Wednesday, November 9, 2022, 10:06:53 PM
\\FILES\A\THE\PROJECTS\2206394\00\SECTION\CHAL\CS3\SURVEY\18901_00_TOPO_BASE.DWG



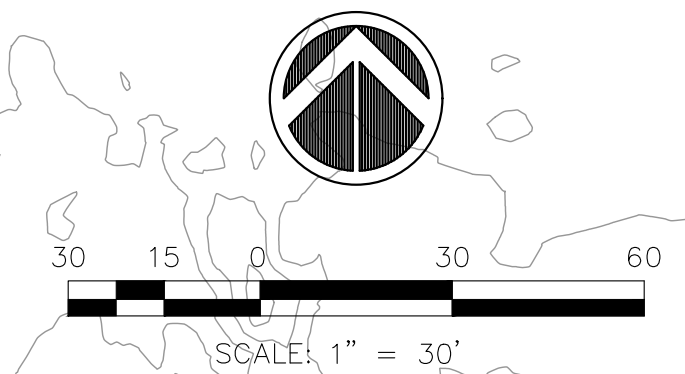
NO.	REVISIONS	DESCRIPTION	DATE

IMEG
 801 VIA PENNACOTE
 SUITE 400
 COSTA MESA, CA 92626
 PH: 949.477.6015
 WWW.IMEGPRO.COM

SAN BERNARDINO COUNTY SHERIFF'S EVOC
 18901 INSTITUTION RD, SAN BERNARDINO, CA
TOPOGRAPHIC SURVEY

IMEG Project No:
2206394.00
 File Name:
2206394.00 Topo Base.dwg
 © COPYRIGHT 2022
ALL RIGHTS RESERVED
 Field Book No:
 Drawn By: BHI
 Checked By: NDO
 Date: 10/21/2022
V-6
 Sheet 6 of 8

Wednesday, November 9, 2022, 10:06:57 PM
\\FILES\A\THE\PROJECTS\2022\2206394\00\DESIGN\CIVIL\3D\SURVEY\16394_00_TOPO_BASE.DWG



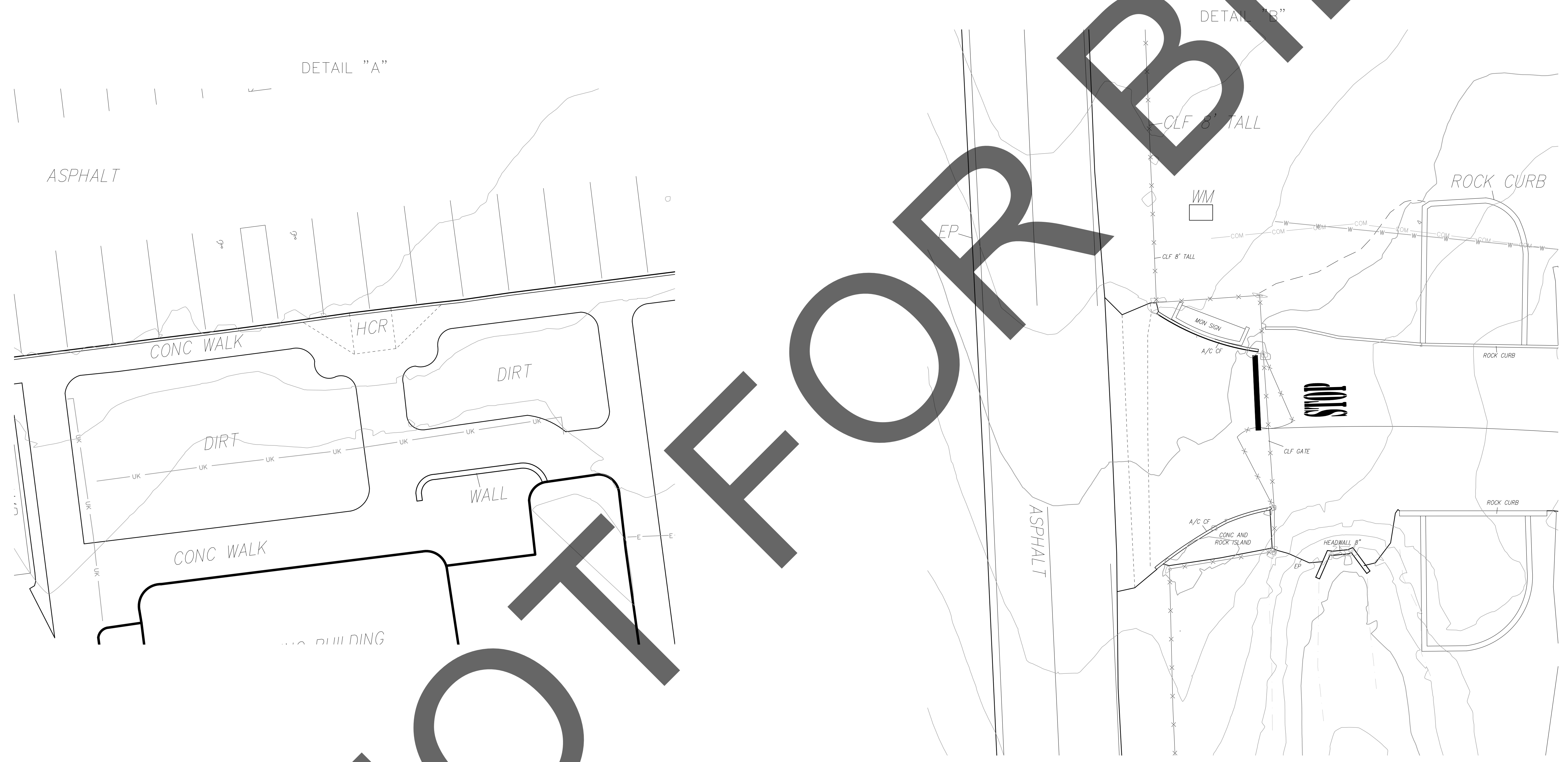
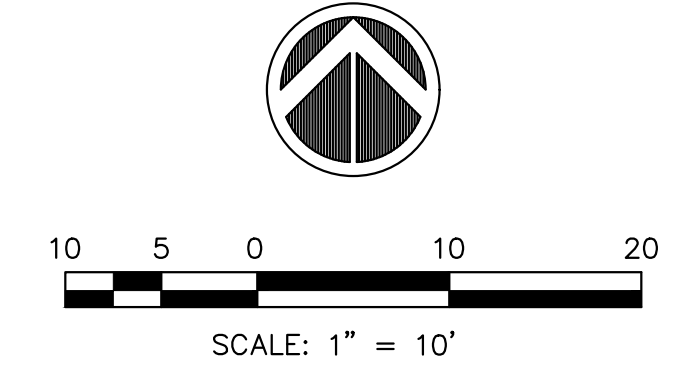
NO.	REVISIONS	DESCRIPTION	DATE

IMEG
 801 VIA PIEDMONT
 SUITE 400
 CHATSWORTH, CA 91311
 PH: 800-477-8015
 www.imeg.com

SAN BERNARDINO COUNTY SHERIFF'S EVOC
 18901 INSTITUTION RD, SAN BERNARDINO, CA
TOPOGRAPHIC SURVEY

IMEG Project No: 22006394.00
File Name: 6394_00 Topo Base.dwg
© COPYRIGHT 2022 ALL RIGHTS RESERVED
Field Book No:
Drawn By: BHI
Checked By: NDO
Date: 10/21/2022
V-7
Sheet 7 of 8

TOPOGRAPHIC SURVEY
SAN BERNARDINO SHERIFF'S EVOC
 18901 INSTITUTION RD, SAN BERNARDINO, CALIFORNIA
 DETAIL SHEET



NOT FOR BID

REVISIONS	DATE
No.	
DESCRIPTION	

IMEG
 801 VIA PIEDMONT
 SUITE 400
 CHATSWORTH, CA 91311
 PH: 800-477-8015
 www.imeg.com

SAN BERNARDINO COUNTY SHERIFF'S EVOC
 18901 INSTITUTION RD, SAN BERNARDINO, CA
 TOPOGRAPHIC SURVEY

IMEG Project No:
 22006394.00
 File Name:
 6394.00 Topo Base.dwg
 © COPYRIGHT 2022
 ALL RIGHTS RESERVED
 Field Book No:
 Drawn By: BHI
 Checked By: NDO
 Date: 10/21/2022
V-8
 Sheet 8 of 8

Wednesday, November 9, 2022, 10:07:02 PM
 \\FILES\ACTIVE\PROJECTS\2022\22006394\00\DESIGN\CIVIL\CD\SURVEY\18901.00_TOPO_BASE.DWG