

ALHAMBRA GROUP
 LANDSCAPE ARCHITECTURE
 CALIFORNIA LICENSE #26117
 11220 S. BURNBURY AVE., SUITE C
 BURBANK, CA 91506
 TEL: (818) 255-9662
 FAX: (818) 255-9663



PROJECT MANAGED BY
 SAN BERNARDINO COUNTY
 PROJECT AND FACILITIES
 MANAGEMENT DEPARTMENT -
 PROJECT MANAGEMENT
 DIVISION

385 N. JEROME AVE.
 SAN BERNARDINO, CA 92415

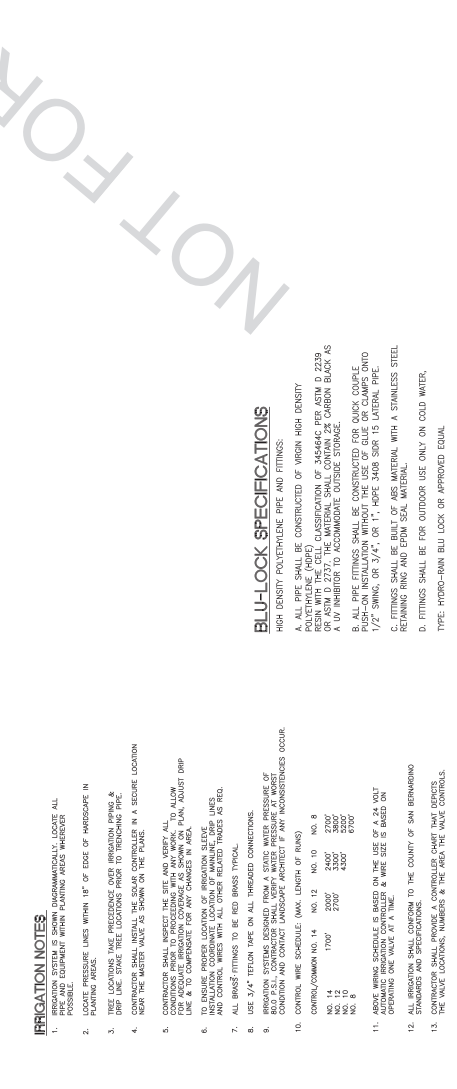
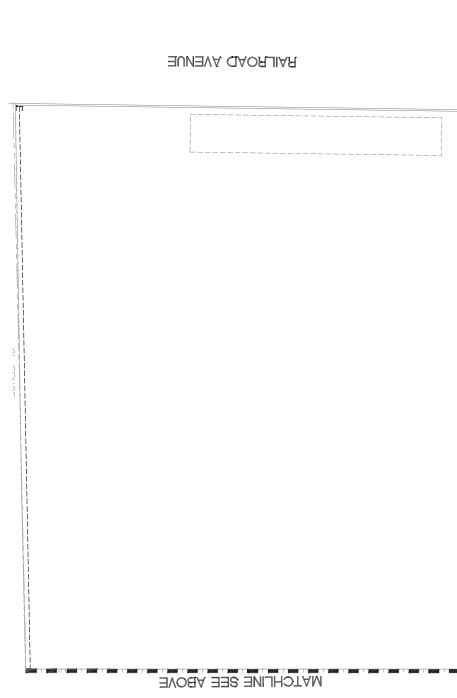
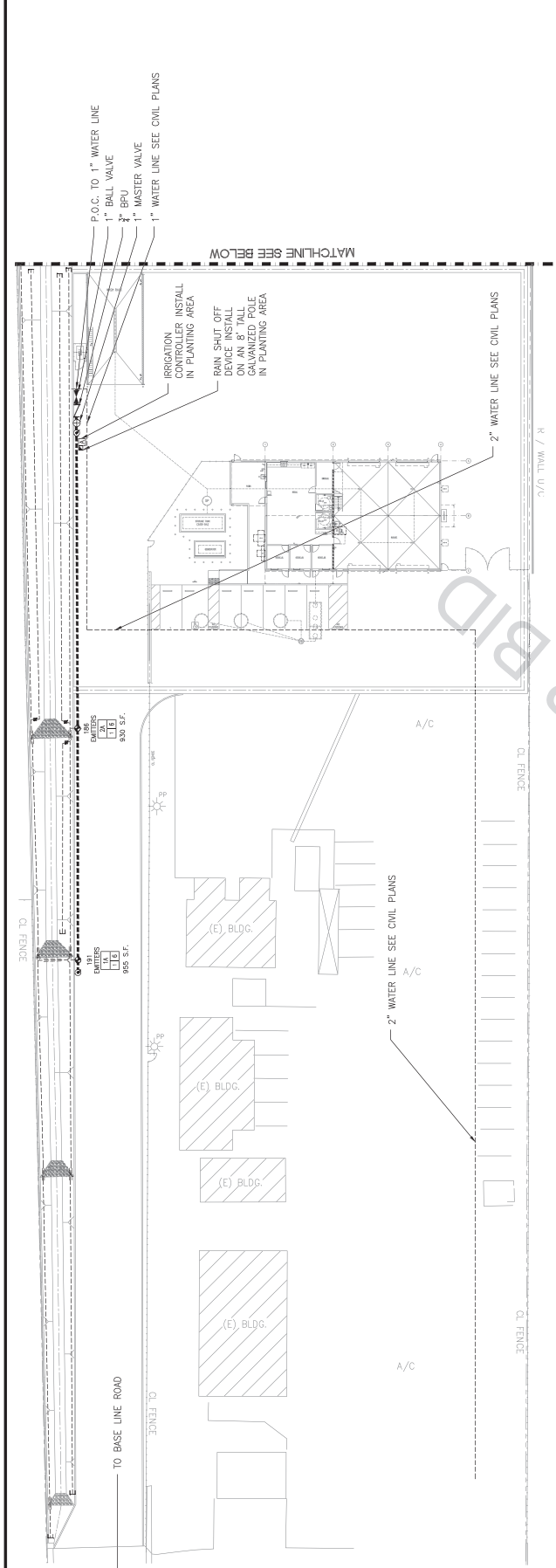
PROJECT NAME:
 SAN BERNARDINO COUNTY
 RANCHO CUCAMONGA
 NEW YARD
 CONSTRUCTION

PROJECT # 10-10-1333
 CP # 23-042
 CAPN # E1005
 APN: 1068501300000,
 1068501300000,
 12158 BASE LINE ROAD
 RANCHO CUCAMONGA,
 CA 91729

ISSUE INFORMATION:
 DATE: INFORMATION:
 04-29-21 1/11 Plot Check

SHEET INFORMATION:
 CITY PROJECT # 374-134-20
 DRAWING NO. 10-10-1333
 PLOT DATE: NOVEMBER 2022
 DRAWING NAME:
 IRRIGATION PLAN

SCALE:
 SHEET NO.:
 L-2
 OF 3



IRRIGATION NOTES

1. IRRIGATION SYSTEM SHALL BE INSTALLED IN ACCORDANCE WITH ALL APPLICABLE CODES AND REGULATIONS.
2. IRRIGATION SYSTEM SHALL BE INSTALLED WITHIN 18" OF EDGE OF HARDSHIP IN ALL PLANTING AREAS.
3. THESE LOCATIONS TAKE PRECEDENCE OVER IRRIGATION PIPING & DRIP LINE. STAKE TREE LOCATIONS PRIOR TO TRENCHING PIPE.
4. STAKE TREE LOCATIONS SHALL BE MARKED ON THE PLAN. IN A SECURE LOCATION.
5. CONTROL WIRE SHALL BE INSTALLED IN ACCORDANCE WITH ALL APPLICABLE CODES AND REGULATIONS. TO ALLOW FOR FUTURE EXPANSION, CONTROL WIRE SHALL BE INSTALLED IN A MANNER THAT PERMITS EASY IDENTIFICATION AND ADJUSTMENT OF THE LINE & TO COMPENSATE FOR ANY CHANGES IN AREA, PLAN, ADJUST DRIP TO ENSURE PROPER LOCATION OF IRRIGATION SLEEVES, SLEEVES AND CONTROL WIRES WITH ALL OTHER RELATED ITEMS AS REQ.
6. ALL BRASS FITTINGS TO BE 3/4" BRASS TYPICAL.
7. USE 3/4" TETON WIRE OR ALL THREADED CONNECTIONS.
8. IRRIGATION SYSTEMS DERIVED FROM A STATIC WATER PRESSURE OF 40 PSI SHALL BE INSTALLED IN ACCORDANCE WITH ALL APPLICABLE CODES AND REGULATIONS.
9. CONTROL WIRE SCHEDULE (MAX. LENGTH OF RUNS)
 NO. 14 1700' 2000' 2200'
 NO. 12 2000' 2500' 2700'
 NO. 10 2500' 3000' 3200'
 NO. 8 4500' 6000'
10. CONTROL WIRE SCHEDULE (MAX. LENGTH OF RUNS)
11. ABOVE WARNING SCHEDULES ARE BASED ON THE USE OF #12 OR #10 WGT STRINGS AND STRINGS SHALL BE INSTALLED IN ACCORDANCE WITH ALL APPLICABLE CODES AND REGULATIONS.
12. ALL IRRIGATION SHALL CONFORM TO THE COUNTY OF SAN BERNARDINO STANDARDS AND SPECIFICATIONS FOR IRRIGATION CONTROL EQUIPMENT. THE VALVE LOCATIONS, NUMBERS IN THE AREA THE VALVE CONTROLS.

BLU-LOCK SPECIFICATIONS

- HIGH DENSITY POLYETHYLENE PIPE AND FITTINGS:
- A. ALL PIPE SHALL BE CONSTRUCTED OF VIRGIN HIGH DENSITY POLYETHYLENE (HDPE) WITH A WALL THICKNESS OF 1/2" OR THICKER. RESIN WITH THE CELL CLASSIFICATION OF 345464C PER ASTM D 2239 OR ASTM D 2777. THE MATERIAL SHALL CONTAIN 2% CARBON BLACK AS PER ASTM D 1919. ALL FITTINGS SHALL BE CONSTRUCTED OF HDPE.
 - B. ALL FITTINGS SHALL BE INSTALLED IN ACCORDANCE WITH ALL APPLICABLE CODES AND REGULATIONS. PUSH-ON INSTALLATION WITHOUT THE USE OF GLUE OR CLAMPS ONTO 1/2" SWING, OR 3/4", OR 1", HDPE 3/8" SDR 15 LATERAL PIPE.
 - C. FITTINGS SHALL BE BUILT OF ABS MATERIAL WITH A STAINLESS STEEL RETAINING RING AND EPDM SEAL.
 - D. FITTINGS SHALL BE FOR OUTDOOR USE ONLY ON COLD WATER. TYPE: HYDRO-RAIN BLU-LOCK OR APPROVED EQUAL.

DRIP SYSTEM PRESSURE LOSS CALCS

COMPONENT	SIZE	P.S.I. LOSS
BLU-LOCK	1"	(1.0)
BALL VALVE	1"	(1.0)
MAST VALVE	1"	(1.0)
MAIN LINE	1"	(0.0)
ELEVATION CHANGE	0'	(0.0)
P.S.I. LOSS BEFORE AERATE CONTROL VALVE		(4.0 P.S.I.)
WATER REDUCES PRESSURE TO:		46.0 P.S.I.
P.S.I. LOSS BEFORE AERATE CONTROL VALVE		(4.0 P.S.I.)
WATER REDUCES PRESSURE TO:		42.0 P.S.I.
LATERAL LINES		(0.0)
ELEVATION CHANGE		(0)
P.S.I. LOSS AFTER PRESSURE REGULATOR:		(2.0 P.S.I.)
TOTAL RESIDUAL PRESSURE:		40.0 P.S.I.

IRRIGATION LEGEND

SYMBOL	MANUFACTURER	MODEL NO.	REMARKS - SEE SHEET L-3 FOR DETAILS AND SPECIFICATIONS
⊠	LETT	700L 300A	STATIONARY AMBENT LOCAL CONTROLLED CONTROLLER (LETT) LOW VOLTAGE AND LET KEY FOR PROGRAMMING LEFT CONTROLLER
⊡	HUNTER	MFM-CLOCK 4"	4" MFM-CLOCK CONTROLLER WITH 4" MFM-CLOCK MOUNTING POLE IN THE PLANTING AREA
⊙	RANBO	102-100-RIB-COM	1" REMOTE CONTROL VALVE KIT WITH 40 PSI PRESSURE REGULATOR
⊙	RANBO	104-1016	1" MASTER CONTROL VALVE
⊙	RANBO	440RC	1" QUICK COUPLER VALVE
⊙	RANBO	104-1016	1" MASTER CONTROL VALVE KIT WITH 40 PSI PRESSURE REGULATOR
⊙	PAC PLASTICS	SON 40	PRESSURE TYPE MANHOLE - INSTALL WITH 24" MANHOLE COVER
⊙	PAC PLASTICS	SON 40	PRESSURE TYPE MANHOLE - VALVE SINK TYPE FOR TYPICAL
⊙	PAC PLASTICS	SON 40	NON-PRESSURE TYPE MANHOLE
⊙	HYDRO-RAIN	BLU-LOCK	NON-PRESSURE LATERAL LINE-INSTALL 2" BELOW GRADE EXCEPT UNDER PAVEMENT INSTALL 12" BELOW GRADE-SEE DETAILS
⊙	HYDRO-RAIN	MODEL 3024	AUTOMATIC DRAIN (LUSP) VALVE

REVIEWED FOR CODE COMPLIANCE
 I have reviewed this drawing for compliance with the applicable codes and regulations. I am not responsible for the accuracy of the information provided on this drawing.
BURBANK VERITAS NORTH AMERICA, INC.
 11220 S. BURNBURY AVE., SUITE C
 BURBANK, CA 91506
 DATE: 06/14/2023



GRAPHIC SCALE
 1 INCH = 20 FT.

DATE: 06/14/2023

PROJECT # 10-10-1333

CP # 23-042

CAPN # E1005

APN: 1068501300000,
 1068501300000,
 12158 BASE LINE ROAD
 RANCHO CUCAMONGA,
 CA 91729

ISSUE INFORMATION:
 DATE: INFORMATION:
 04-29-21 1/11 Plot Check

SHEET INFORMATION:
 CITY PROJECT # 374-134-20
 DRAWING NO. 10-10-1333
 PLOT DATE: NOVEMBER 2022
 DRAWING NAME:
 IRRIGATION PLAN

SCALE:
 SHEET NO.:
 L-2
 OF 3

PROJECT MANAGED BY
 SAN BERNARDINO COUNTY
 PROJECT AND FACILITIES
 MANAGEMENT DEPARTMENT -
 PROJECT MANAGEMENT
 DIVISION

385 N. JEROME AVE.
 SAN BERNARDINO, CA 92415

PROJECT NAME:
 SAN BERNARDINO COUNTY
 RANCHO CUCAMONGA
 NEW YARD
 CONSTRUCTION

PROJECT # 10-10-1333

CP # 23-042

CAPN # E1005

APN: 1068501300000,
 1068501300000,
 12158 BASE LINE ROAD
 RANCHO CUCAMONGA,
 CA 91729

ISSUE INFORMATION:
 DATE: INFORMATION:
 04-29-21 1/11 Plot Check

SHEET INFORMATION:
 CITY PROJECT # 374-134-20
 DRAWING NO. 10-10-1333
 PLOT DATE: NOVEMBER 2022
 DRAWING NAME:
 IRRIGATION PLAN

SCALE:
 SHEET NO.:
 L-2
 OF 3

PROJECT MANAGED BY
 SAN BERNARDINO COUNTY
 PROJECT AND FACILITIES
 MANAGEMENT DEPARTMENT -
 PROJECT MANAGEMENT
 DIVISION

385 N. JEROME AVE.
 SAN BERNARDINO, CA 92415

PROJECT NAME:
 SAN BERNARDINO COUNTY
 RANCHO CUCAMONGA
 NEW YARD
 CONSTRUCTION

PROJECT # 10-10-1333

CP # 23-042

CAPN # E1005

APN: 1068501300000,
 1068501300000,
 12158 BASE LINE ROAD
 RANCHO CUCAMONGA,
 CA 91729

ISSUE INFORMATION:
 DATE: INFORMATION:
 04-29-21 1/11 Plot Check

SHEET INFORMATION:
 CITY PROJECT # 374-134-20
 DRAWING NO. 10-10-1333
 PLOT DATE: NOVEMBER 2022
 DRAWING NAME:
 IRRIGATION PLAN

SCALE:
 SHEET NO.:
 L-2
 OF 3

PROJECT MANAGED BY
 SAN BERNARDINO COUNTY
 PROJECT AND FACILITIES
 MANAGEMENT DEPARTMENT -
 PROJECT MANAGEMENT
 DIVISION

385 N. JEROME AVE.
 SAN BERNARDINO, CA 92415

PROJECT NAME:
 SAN BERNARDINO COUNTY
 RANCHO CUCAMONGA
 NEW YARD
 CONSTRUCTION

PROJECT # 10-10-1333

CP # 23-042

CAPN # E1005

APN: 1068501300000,
 1068501300000,
 12158 BASE LINE ROAD
 RANCHO CUCAMONGA,
 CA 91729

ISSUE INFORMATION:
 DATE: INFORMATION:
 04-29-21 1/11 Plot Check

SHEET INFORMATION:
 CITY PROJECT # 374-134-20
 DRAWING NO. 10-10-1333
 PLOT DATE: NOVEMBER 2022
 DRAWING NAME:
 IRRIGATION PLAN

SCALE:
 SHEET NO.:
 L-2
 OF 3

PROJECT MANAGED BY
 SAN BERNARDINO COUNTY
 PROJECT AND FACILITIES
 MANAGEMENT DEPARTMENT -
 PROJECT MANAGEMENT
 DIVISION

385 N. JEROME AVE.
 SAN BERNARDINO, CA 92415

PROJECT NAME:
 SAN BERNARDINO COUNTY
 RANCHO CUCAMONGA
 NEW YARD
 CONSTRUCTION

PROJECT # 10-10-1333

CP # 23-042

CAPN # E1005

APN: 1068501300000,
 1068501300000,
 12158 BASE LINE ROAD
 RANCHO CUCAMONGA,
 CA 91729

ISSUE INFORMATION:
 DATE: INFORMATION:
 04-29-21 1/11 Plot Check

SHEET INFORMATION:
 CITY PROJECT # 374-134-20
 DRAWING NO. 10-10-1333
 PLOT DATE: NOVEMBER 2022
 DRAWING NAME:
 IRRIGATION PLAN

SCALE:
 SHEET NO.:
 L-2
 OF 3

PROJECT MANAGED BY
 SAN BERNARDINO COUNTY
 PROJECT AND FACILITIES
 MANAGEMENT DEPARTMENT -
 PROJECT MANAGEMENT
 DIVISION

385 N. JEROME AVE.
 SAN BERNARDINO, CA 92415

PROJECT NAME:
 SAN BERNARDINO COUNTY
 RANCHO CUCAMONGA
 NEW YARD
 CONSTRUCTION

PROJECT # 10-10-1333

CP # 23-042

CAPN # E1005

APN: 1068501300000,
 1068501300000,
 12158 BASE LINE ROAD
 RANCHO CUCAMONGA,
 CA 91729

ISSUE INFORMATION:
 DATE: INFORMATION:
 04-29-21 1/11 Plot Check

SHEET INFORMATION:
 CITY PROJECT # 374-134-20
 DRAWING NO. 10-10-1333
 PLOT DATE: NOVEMBER 2022
 DRAWING NAME:
 IRRIGATION PLAN

SCALE:
 SHEET NO.:
 L-2
 OF 3

PROJECT MANAGED BY
 SAN BERNARDINO COUNTY
 PROJECT AND FACILITIES
 MANAGEMENT DEPARTMENT -
 PROJECT MANAGEMENT
 DIVISION

385 N. JEROME AVE.
 SAN BERNARDINO, CA 92415

PROJECT NAME:
 SAN BERNARDINO COUNTY
 RANCHO CUCAMONGA
 NEW YARD
 CONSTRUCTION

PROJECT # 10-10-1333

CP # 23-042

CAPN # E1005

APN: 1068501300000,
 1068501300000,
 12158 BASE LINE ROAD
 RANCHO CUCAMONGA,
 CA 91729

ISSUE INFORMATION:
 DATE: INFORMATION:
 04-29-21 1/11 Plot Check

SHEET INFORMATION:
 CITY PROJECT # 374-134-20
 DRAWING NO. 10-10-1333
 PLOT DATE: NOVEMBER 2022
 DRAWING NAME:
 IRRIGATION PLAN

SCALE:
 SHEET NO.:
 L-2
 OF 3

PROJECT MANAGED BY
 SAN BERNARDINO COUNTY
 PROJECT AND FACILITIES
 MANAGEMENT DEPARTMENT -
 PROJECT MANAGEMENT
 DIVISION

385 N. JEROME AVE.
 SAN BERNARDINO, CA 92415

PROJECT NAME:
 SAN BERNARDINO COUNTY
 RANCHO CUCAMONGA
 NEW YARD
 CONSTRUCTION

PROJECT # 10-10-1333

CP # 23-042

CAPN # E1005

APN: 1068501300000,
 1068501300000,
 12158 BASE LINE ROAD
 RANCHO CUCAMONGA,
 CA 91729

ISSUE INFORMATION:
 DATE: INFORMATION:
 04-29-21 1/11 Plot Check

SHEET INFORMATION:
 CITY PROJECT # 374-134-20
 DRAWING NO. 10-10-1333
 PLOT DATE: NOVEMBER 2022
 DRAWING NAME:
 IRRIGATION PLAN

SCALE:
 SHEET NO.:
 L-2
 OF 3

PROJECT MANAGED BY
 SAN BERNARDINO COUNTY
 PROJECT AND FACILITIES
 MANAGEMENT DEPARTMENT -
 PROJECT MANAGEMENT
 DIVISION

385 N. JEROME AVE.
 SAN BERNARDINO, CA 92415

PROJECT NAME:
 SAN BERNARDINO COUNTY
 RANCHO CUCAMONGA
 NEW YARD
 CONSTRUCTION

PROJECT # 10-10-1333

CP # 23-042

CAPN # E1005

APN: 1068501300000,
 1068501300000,
 12158 BASE LINE ROAD
 RANCHO CUCAMONGA,
 CA 91729

ISSUE INFORMATION:
 DATE: INFORMATION:
 04-29-21 1/11 Plot Check

SHEET INFORMATION:
 CITY PROJECT # 374-134-20
 DRAWING NO. 10-10-1333
 PLOT DATE: NOVEMBER 2022
 DRAWING NAME:
 IRRIGATION PLAN

SCALE:
 SHEET NO.:
 L-2
 OF 3

PROJECT MANAGED BY
 SAN BERNARDINO COUNTY
 PROJECT AND FACILITIES
 MANAGEMENT DEPARTMENT -
 PROJECT MANAGEMENT
 DIVISION

385 N. JEROME AVE.
 SAN BERNARDINO, CA 92415

PROJECT NAME:
 SAN BERNARDINO COUNTY
 RANCHO CUCAMONGA
 NEW YARD
 CONSTRUCTION

PROJECT # 10-10-1333

CP # 23-042

CAPN # E1005

APN: 1068501300000,
 1068501300000,
 12158 BASE LINE ROAD
 RANCHO CUCAMONGA,
 CA 91729

ISSUE INFORMATION:
 DATE: INFORMATION:
 04-29-21 1/11 Plot Check

SHEET INFORMATION:
 CITY PROJECT # 374-134-20
 DRAWING NO. 10-10-1333
 PLOT DATE: NOVEMBER 2022
 DRAWING NAME:
 IRRIGATION PLAN

SCALE:
 SHEET NO.:
 L-2
 OF 3

PROJECT MANAGED BY
 SAN BERNARDINO COUNTY
 PROJECT AND FACILITIES
 MANAGEMENT DEPARTMENT -
 PROJECT MANAGEMENT
 DIVISION

385 N. JEROME AVE.
 SAN BERNARDINO, CA 92415

PROJECT NAME:
 SAN BERNARDINO COUNTY
 RANCHO CUCAMONGA
 NEW YARD
 CONSTRUCTION

PROJECT # 10-10-1333

CP # 23-042

CAPN # E1005

APN: 1068501300000,
 1068501300000,
 12158 BASE LINE ROAD
 RANCHO CUCAMONGA,
 CA 91729

ISSUE INFORMATION:
 DATE: INFORMATION:
 04-29-21 1/11 Plot Check

SHEET INFORMATION:
 CITY PROJECT # 374-134-20
 DRAWING NO. 10-10-1333
 PLOT DATE: NOVEMBER 2022
 DRAWING NAME:
 IRRIGATION PLAN

SCALE:
 SHEET NO.:
 L-2
 OF 3

PROJECT MANAGED BY
 SAN BERNARDINO COUNTY
 PROJECT AND FACILITIES
 MANAGEMENT DEPARTMENT -
 PROJECT MANAGEMENT
 DIVISION

385 N. JEROME AVE.
 SAN BERNARDINO, CA 92415

PROJECT NAME:
 SAN BERNARDINO COUNTY
 RANCHO CUCAMONGA
 NEW YARD
 CONSTRUCTION

PROJECT # 10-10-1333

CP # 23-042

CAPN # E1005

APN: 1068501300000,
 1068501300000,
 12158 BASE LINE ROAD
 RANCHO CUCAMONGA,
 CA 91729

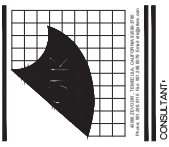
ISSUE INFORMATION:
 DATE: INFORMATION:
 04-29-21 1/11 Plot Check

SHEET INFORMATION:
 CITY PROJECT # 374-134-20
 DRAWING NO. 10-10-1333
 PLOT DATE: NOVEMBER 2022
 DRAWING NAME:
 IRRIGATION PLAN

SCALE:
 SHEET NO.:
 L-2
 OF 3

PROJECT MANAGED BY
 SAN BERNARDINO COUNTY
 PROJECT AND FACILITIES
 MANAGEMENT DEPARTMENT -
 PROJECT MANAGEMENT
 DIVISION

385 N. JEROME AVE.
 SAN BERNARDINO, CA 92415



CONSULTANT:

PROJECT MANAGED BY:
SAN BERNARDINO COUNTY
PLANNING AND CONSTRUCTION
DIVISION

305 N. GARDEN AVE.
SAN BERNARDINO, CA 92415

PROJECT NAME:
SAN BERNARDINO COUNTY
PLANNING AND CONSTRUCTION
DIVISION

PROJECT # 000383
CP # 23-042
CAF# # ET005

APN: 09903990000,
09903990000

2528 BASE LINE ROAD
RANCHO BONGA,
CA 91759

ISSUE INFORMATION:
DATE: 11/15/2021
BY: [Signature]

DATE: 11/15/2021
BY: [Signature]

DATE: 11/15/2021
BY: [Signature]

DATE: 11/15/2021
BY: [Signature]

DATE: 11/15/2021
BY: [Signature]

DATE: 11/15/2021
BY: [Signature]

DATE: 11/15/2021
BY: [Signature]

DATE: 11/15/2021
BY: [Signature]

DATE: 11/15/2021
BY: [Signature]

DATE: 11/15/2021
BY: [Signature]

DATE: 11/15/2021
BY: [Signature]

DATE: 11/15/2021
BY: [Signature]

DATE: 11/15/2021
BY: [Signature]



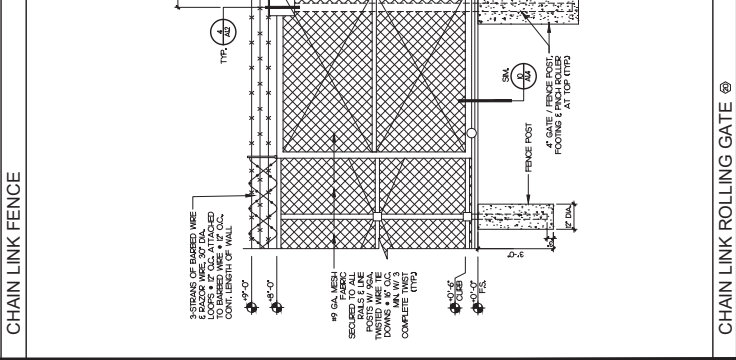
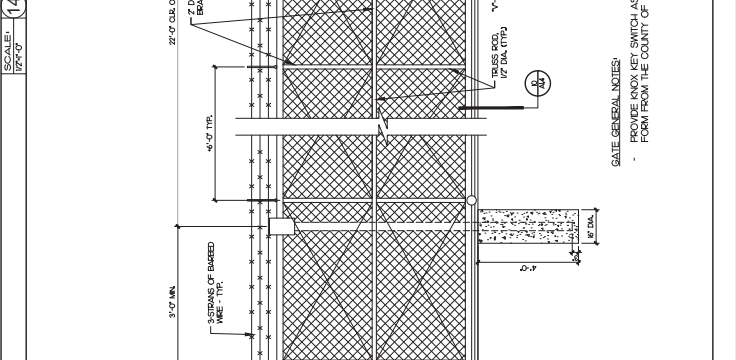
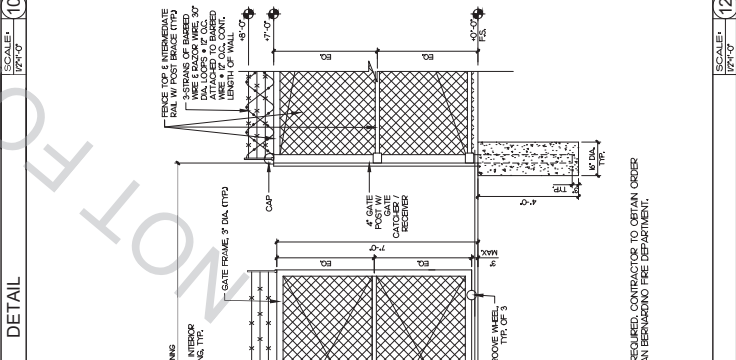
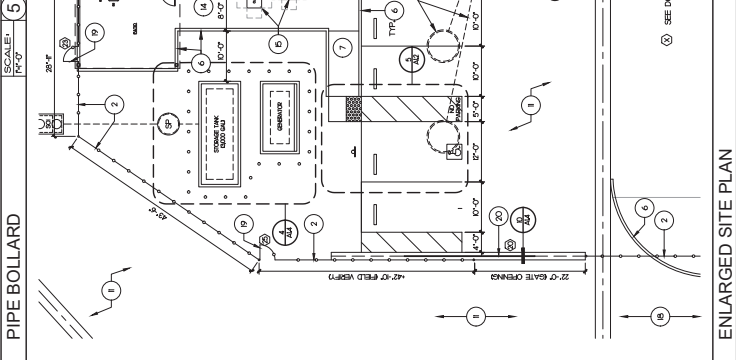
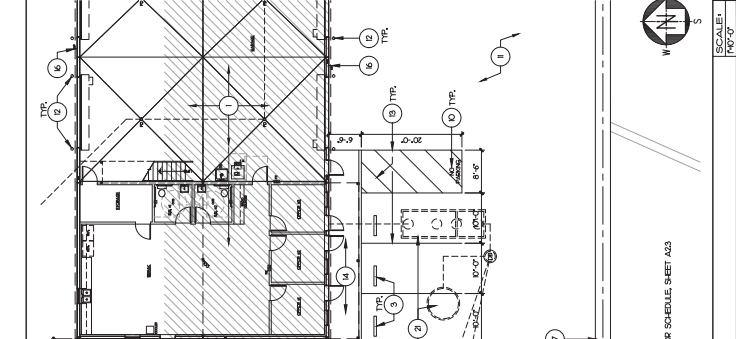
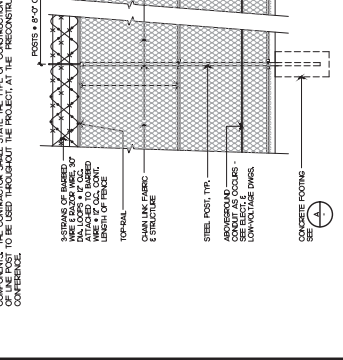
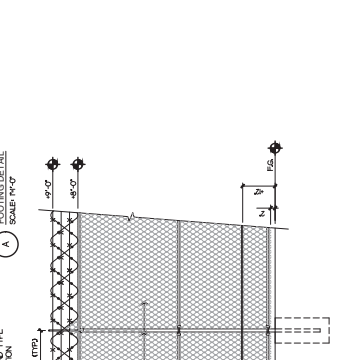
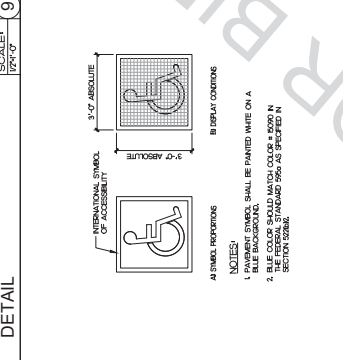
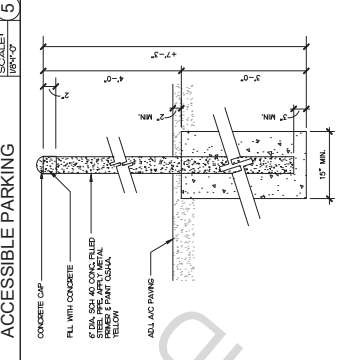
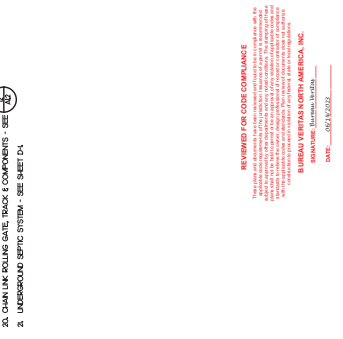
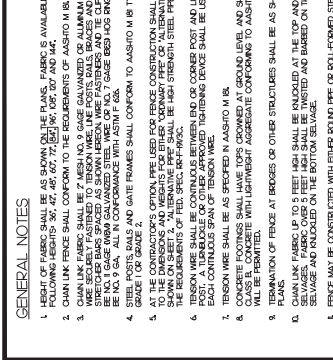
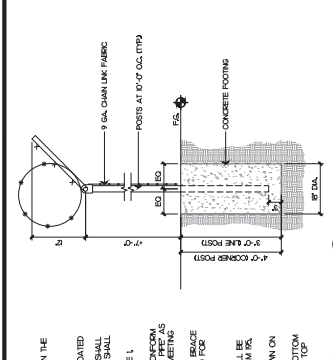
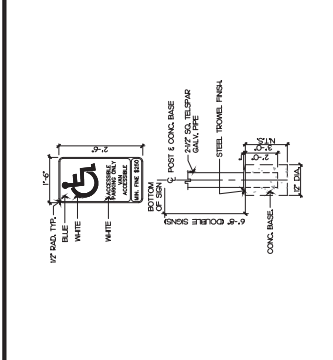
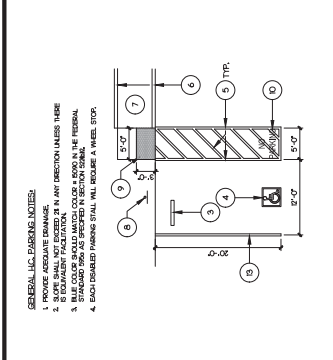
SHEET INFORMATION:
SHEET PROJECT NO. 374-94-20
SHEET NO. 11
DATE: NOVEMBER 2021
DRAWING NAME:
SCALE:

SHEET TITLE:

SITE DETAILS

SHEET NO. A1.2

- KEY NOTE**
1. PREPARED METAL BUILDING WITH KEYSAME E-POXYPASTE, SEE (A1.1)
 2. CHAIN LINK FENCE WITH 4" X 4" POSTS AND 1/2" X 1/2" BRACKET FLEETINGS, SEE (A1.2)
 3. CHAIN LINK FENCE WITH 4" X 4" POSTS AND 1/2" X 1/2" BRACKET FLEETINGS, SEE (A1.3)
 4. INTERNATIONAL SYMBOL OF ACCESSIBILITY, SEE (A1.4)
 5. 4" WIDE BLUE STRIPING, 3'-0" O.C., SEE (A1.5)
 6. CONCRETE CURB, SEE (A1.6)
 7. SLOPE CONCRETE SIDEWALK, SEE (A1.7)
 8. ADA, ADA SIGN POST & FOOTING, SEE (A1.8)
 9. REFLECTIVE MARKING SURFACES FOR 4'-0", SEE (A1.9)
 10. 12" HIGH LETTERS, SEE (A1.10)
 11. 4" WIDE PARKING LOT STRIPING, SEE (A1.11)
 12. CONCRETE FILLER PIPE BOLLARDS, SEE (A1.12)
 13. CONCRETE SIDEWALK, SEE (A1.13)
 14. CONCRETE SIDEWALK, SEE (A1.14)
 15. CONCRETE SIDEWALK, SEE (A1.15)
 16. CONCRETE SIDEWALK, SEE (A1.16)
 17. CONCRETE SIDEWALK, SEE (A1.17)
 18. CONCRETE SIDEWALK, SEE (A1.18)
 19. CONCRETE SIDEWALK, SEE (A1.19)
 20. CHAIN LINK ROLLING GATE (TYP. OF A) - SEE (A1.20)
 21. UNDERGROUND SPRING SYSTEM - SEE SHEET DA.



- GENERAL NOTES:**
1. HEIGHT OF FABRIC SHALL BE AS SHOWN ON THE PLANS. FABRIC IS AVAILABLE IN THE FOLLOWING HEIGHTS: 36", 42", 48", 54", 60", 66", 72", 78", 84", 90", 96", 102", 108", 114", 120", 126", 132", 138", 144", 150", 156", 162", 168", 174", 180", 186", 192", 198", 204", 210", 216", 222", 228", 234", 240", 246", 252", 258", 264", 270", 276", 282", 288", 294", 300", 306", 312", 318, 324, 330, 336, 342, 348, 354, 360, 366, 372, 378, 384, 390, 396, 402, 408, 414, 420, 426, 432, 438, 444, 450, 456, 462, 468, 474, 480, 486, 492, 498, 504, 510, 516, 522, 528, 534, 540, 546, 552, 558, 564, 570, 576, 582, 588, 594, 600, 606, 612, 618, 624, 630, 636, 642, 648, 654, 660, 666, 672, 678, 684, 690, 696, 702, 708, 714, 720, 726, 732, 738, 744, 750, 756, 762, 768, 774, 780, 786, 792, 798, 804, 810, 816, 822, 828, 834, 840, 846, 852, 858, 864, 870, 876, 882, 888, 894, 900, 906, 912, 918, 924, 930, 936, 942, 948, 954, 960, 966, 972, 978, 984, 990, 996, 1002, 1008, 1014, 1020, 1026, 1032, 1038, 1044, 1050, 1056, 1062, 1068, 1074, 1080, 1086, 1092, 1098, 1104, 1110, 1116, 1122, 1128, 1134, 1140, 1146, 1152, 1158, 1164, 1170, 1176, 1182, 1188, 1194, 1200, 1206, 1212, 1218, 1224, 1230, 1236, 1242, 1248, 1254, 1260, 1266, 1272, 1278, 1284, 1290, 1296, 1302, 1308, 1314, 1320, 1326, 1332, 1338, 1344, 1350, 1356, 1362, 1368, 1374, 1380, 1386, 1392, 1398, 1404, 1410, 1416, 1422, 1428, 1434, 1440, 1446, 1452, 1458, 1464, 1470, 1476, 1482, 1488, 1494, 1500, 1506, 1512, 1518, 1524, 1530, 1536, 1542, 1548, 1554, 1560, 1566, 1572, 1578, 1584, 1590, 1596, 1602, 1608, 1614, 1620, 1626, 1632, 1638, 1644, 1650, 1656, 1662, 1668, 1674, 1680, 1686, 1692, 1698, 1704, 1710, 1716, 1722, 1728, 1734, 1740, 1746, 1752, 1758, 1764, 1770, 1776, 1782, 1788, 1794, 1800, 1806, 1812, 1818, 1824, 1830, 1836, 1842, 1848, 1854, 1860, 1866, 1872, 1878, 1884, 1890, 1896, 1902, 1908, 1914, 1920, 1926, 1932, 1938, 1944, 1950, 1956, 1962, 1968, 1974, 1980, 1986, 1992, 1998, 2004, 2010, 2016, 2022, 2028, 2034, 2040, 2046, 2052, 2058, 2064, 2070, 2076, 2082, 2088, 2094, 2100, 2106, 2112, 2118, 2124, 2130, 2136, 2142, 2148, 2154, 2160, 2166, 2172, 2178, 2184, 2190, 2196, 2202, 2208, 2214, 2220, 2226, 2232, 2238, 2244, 2250, 2256, 2262, 2268, 2274, 2280, 2286, 2292, 2298, 2304, 2310, 2316, 2322, 2328, 2334, 2340, 2346, 2352, 2358, 2364, 2370, 2376, 2382, 2388, 2394, 2400, 2406, 2412, 2418, 2424, 2430, 2436, 2442, 2448, 2454, 2460, 2466, 2472, 2478, 2484, 2490, 2496, 2502, 2508, 2514, 2520, 2526, 2532, 2538, 2544, 2550, 2556, 2562, 2568, 2574, 2580, 2586, 2592, 2598, 2604, 2610, 2616, 2622, 2628, 2634, 2640, 2646, 2652, 2658, 2664, 2670, 2676, 2682, 2688, 2694, 2700, 2706, 2712, 2718, 2724, 2730, 2736, 2742, 2748, 2754, 2760, 2766, 2772, 2778, 2784, 2790, 2796, 2802, 2808, 2814, 2820, 2826, 2832, 2838, 2844, 2850, 2856, 2862, 2868, 2874, 2880, 2886, 2892, 2898, 2904, 2910, 2916, 2922, 2928, 2934, 2940, 2946, 2952, 2958, 2964, 2970, 2976, 2982, 2988, 2994, 3000, 3006, 3012, 3018, 3024, 3030, 3036, 3042, 3048, 3054, 3060, 3066, 3072, 3078, 3084, 3090, 3096, 3102, 3108, 3114, 3120, 3126, 3132, 3138, 3144, 3150, 3156, 3162, 3168, 3174, 3180, 3186, 3192, 3198, 3204, 3210, 3216, 3222, 3228, 3234, 3240, 3246, 3252, 3258, 3264, 3270, 3276, 3282, 3288, 3294, 3300, 3306, 3312, 3318, 3324, 3330, 3336, 3342, 3348, 3354, 3360, 3366, 3372, 3378, 3384, 3390, 3396, 3402, 3408, 3414, 3420, 3426, 3432, 3438, 3444, 3450, 3456, 3462, 3468, 3474, 3480, 3486, 3492, 3498, 3504, 3510, 3516, 3522, 3528, 3534, 3540, 3546, 3552, 3558, 3564, 3570, 3576, 3582, 3588, 3594, 3600, 3606, 3612, 3618, 3624, 3630, 3636, 3642, 3648, 3654, 3660, 3666, 3672, 3678, 3684, 3690, 3696, 3702, 3708, 3714, 3720, 3726, 3732, 3738, 3744, 3750, 3756, 3762, 3768, 3774, 3780, 3786, 3792, 3798, 3804, 3810, 3816, 3822, 3828, 3834, 3840, 3846, 3852, 3858, 3864, 3870, 3876, 3882, 3888, 3894, 3900, 3906, 3912, 3918, 3924, 3930, 3936, 3942, 3948, 3954, 3960, 3966, 3972, 3978, 3984, 3990, 3996, 4002, 4008, 4014, 4020, 4026, 4032, 4038, 4044, 4050, 4056, 4062, 4068, 4074, 4080, 4086, 4092, 4098, 4104, 4110, 4116, 4122, 4128, 4134, 4140, 4146, 4152, 4158, 4164, 4170, 4176, 4182, 4188, 4194, 4200, 4206, 4212, 4218, 4224, 4230, 4236, 4242, 4248, 4254, 4260, 4266, 4272, 4278, 4284, 4290, 4296, 4302, 4308, 4314, 4320, 4326, 4332, 4338, 4344, 4350, 4356, 4362, 4368, 4374, 4380, 4386, 4392, 4398, 4404, 4410, 4416, 4422, 4428, 4434, 4440, 4446, 4452, 4458, 4464, 4470, 4476, 4482, 4488, 4494, 4500, 4506, 4512, 4518, 4524, 4530, 4536, 4542, 4548, 4554, 4560, 4566, 4572, 4578, 4584, 4590, 4596, 4602, 4608, 4614, 4620, 4626, 4632, 4638, 4644, 4650, 4656, 4662, 4668, 4674, 4680, 4686, 4692, 4698, 4704, 4710, 4716, 4722, 4728, 4734, 4740, 4746, 4752, 4758, 4764, 4770, 4776, 4782, 4788, 4794, 4800, 4806, 4812, 4818, 4824, 4830, 4836, 4842, 4848, 4854, 4860, 4866, 4872, 4878, 4884, 4890, 4896, 4902, 4908, 4914, 4920, 4926, 4932, 4938, 4944, 4950, 4956, 4962, 4968, 4974, 4980, 4986, 4992, 4998, 5004, 5010, 5016, 5022, 5028, 5034, 5040, 5046, 5052, 5058, 5064, 5070, 5076, 5082, 5088, 5094, 5100, 5106, 5112, 5118, 5124, 5130, 5136, 5142, 5148, 5154, 5160, 5166, 5172, 5178, 5184, 5190, 5196, 5202, 5208, 5214, 5220, 5226, 5232, 5238, 5244, 5250, 5256, 5262, 5268, 5274, 5280, 5286, 5292, 5298, 5304, 5310, 5316, 5322, 5328, 5334, 5340, 5346, 5352, 5358, 5364, 5370, 5376, 5382, 5388, 5394, 5400, 5406, 5412, 5418, 5424, 5430, 5436, 5442, 5448, 5454, 5460, 5466, 5472, 5478, 5484, 5490, 5496, 5502, 5508, 5514, 5520, 5526, 5532, 5538, 5544, 5550, 5556, 5562, 5568, 5574, 5580, 5586, 5592, 5598, 5604, 5610, 5616, 5622, 5628, 5634, 5640, 5646, 5652, 5658, 5664, 5670, 5676, 5682, 5688, 5694, 5700, 5706, 5712, 5718, 5724, 5730, 5736, 5742, 5748, 5754, 5760, 5766, 5772, 5778, 5784, 5790, 5796, 5802, 5808, 5814, 5820, 5826, 5832, 5838, 5844, 5850, 5856, 5862, 5868, 5874, 5880, 5886, 5892, 5898, 5904, 5910, 5916, 5922, 5928, 5934, 5940, 5946, 5952, 5958, 5964, 5970, 5976, 5982, 5988, 5994, 6000, 6006, 6012, 6018, 6024, 6030, 6036, 6042, 6048, 6054, 6060, 6066, 6072, 6078, 6084, 6090, 6096, 6102, 6108, 6114, 6120, 6126, 6132, 6138, 6144, 6150, 6156, 6162, 6168, 6174, 6180, 6186, 6192, 6198, 6204, 6210, 6216, 6222, 6228, 6234, 6240, 6246, 6252, 6258, 6264, 6270, 6276, 6282, 6288, 6294, 6300, 6306, 6312, 6318, 6324, 6330, 6336, 6342, 6348, 6354, 6360, 6366, 6372, 6378, 6384, 6390, 6396, 6402, 6408, 6414, 6420, 6426, 6432, 6438, 6444, 6450, 6456, 6462, 6468, 6474, 6480, 6486, 6492, 6498, 6504, 6510, 6516, 6522, 6528, 6534, 6540, 6546, 6552, 6558, 6564, 6570, 6576, 6582, 6588, 6594, 6600, 6606, 6612, 6618, 6624, 6630, 6636, 6642, 6648, 6654, 6660, 6666, 6672, 6678, 6684, 6690, 6696, 6702, 6708, 6714, 6720, 6726, 6732, 6738, 6744, 6750, 6756, 6762, 6768, 6774, 6780, 6786, 6792, 6798, 6804, 6810, 6816, 6822, 6828, 6834, 6840, 6846, 6852, 6858, 6864, 6870, 6876, 6882, 6888, 6894, 6900, 6906, 6912, 6918, 6924, 6930, 6936, 6942, 6948, 6954, 6960, 6966, 6972, 6978, 6984, 6990, 6996, 7002, 7008, 7014, 7020, 7026, 7032, 7038, 7044, 7050, 7056, 7062, 7068, 7074, 7080, 7086, 7092, 7098, 7104, 7110, 7116, 7122, 7128, 7134, 7140, 7146, 7152, 7158, 7164, 7170, 7176, 7182, 7188, 7194, 7200, 7206, 7212, 7218, 7224, 7230, 7236, 7242, 7248, 7254, 7260, 7266, 7272, 7278, 7284, 7290, 7296, 7302, 7308, 7314, 7320, 7326, 7332, 7338, 7344, 7350, 7356, 7362, 7368, 7374, 7380, 7386, 7392, 7398, 7404, 7410, 7416, 7422, 7428, 7434, 7440, 7446, 7452, 7458, 7464, 7470, 7476, 7482, 7488, 7494, 7500, 7506, 7512, 7518, 7524, 7530, 7536, 7542, 7548, 7554, 7560, 7566, 7572, 7578, 7584, 7590, 7596, 7602, 7608, 7614, 7620, 7626, 7632, 7638, 7644, 7650, 7656, 7662, 7668, 7674, 7680, 7686, 7692, 7698, 7704, 7710, 7716, 7722, 7728, 7734, 7740, 7746, 7752, 7758, 7764, 7770, 7776, 7782, 7788, 7794, 7800, 7806, 7812, 7818, 7824, 7830, 7836, 7842, 7848, 7854, 7860, 7866, 7872, 7878, 7884, 7890, 7896, 7902, 7908, 7914, 7920, 7926, 7932, 7938, 7944, 7950, 7956, 7962, 7968, 7974, 7980, 7986, 7992, 7998, 8004, 8010, 8016, 8022, 8028, 8034, 8040, 8046, 8052, 8058, 8064, 8070, 8076, 8082, 8088, 8094, 8100, 8106, 8112, 8118, 8124, 8130, 8136, 8142, 8148, 8154, 8160, 8166, 8172, 8178, 8184, 8190, 8196, 8202, 8208, 8214, 8220, 8226, 8232, 8238, 8244, 8250, 8256, 8262, 8268, 8274, 8280, 8286, 8292, 8298, 8304, 8310, 8316, 8322, 8328, 8334, 8340, 8346, 8352, 8358, 8364, 8370, 8376, 8382, 8388, 8394, 8400, 8406, 8412, 8418, 8424, 8430, 8436, 8442, 8448, 8454, 8460, 8466, 8472, 8478, 8484, 8490, 8496, 8502, 8508, 8514, 8520, 8526, 8532, 8538, 8544, 8550, 8556, 8562, 8568, 8574, 8580, 8586, 8592, 8598, 8604, 8610, 8616, 8622, 8628, 8634, 8640, 8646, 8652, 8658, 8664, 8670, 8676, 8682, 8688, 8694, 8700, 8706, 8712, 8718, 8724, 8730, 8736, 8742, 8748, 8754, 8760, 8766, 8772, 8778, 8784, 8790, 8796, 8802, 8808, 8814, 8820, 8826, 88