



SECTION J

APPENDICES

**LAKE GREGORY REGIONAL PARK
SITEWIDE SEDIMENT
MANAGEMENT PROJECT**

FOR

**LAKE GREGORY REGIONAL PARK
24171 LAKE DRIVE, CRESTLINE, CA 92325**

PROJECT NO.: 30.30.0166

APPENDICES

LAKE GREGORY REGIONAL PARK SITEWIDE SEDIMENT MANAGEMENT PROJECT

TABLE OF CONTENTS

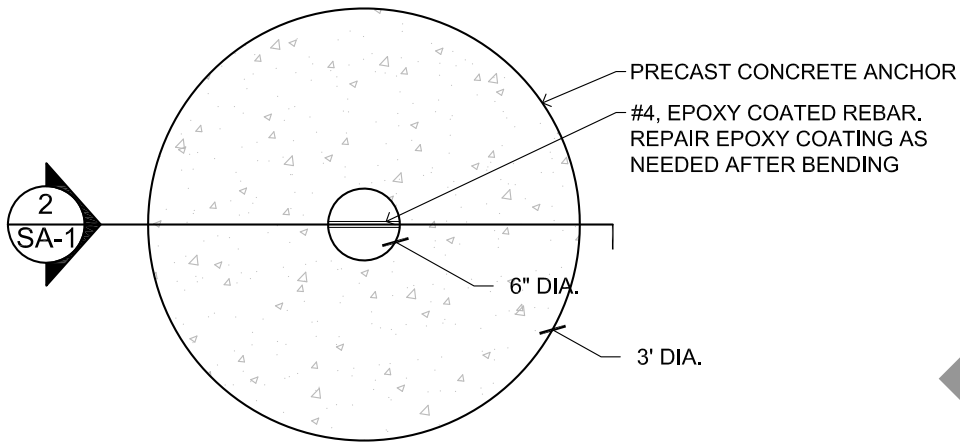
Appendices

1. WATERPARK APPARATUS (INFLATABLE) ANCHOR DESIGN
2. ARTIFICIAL FISH HABITATS

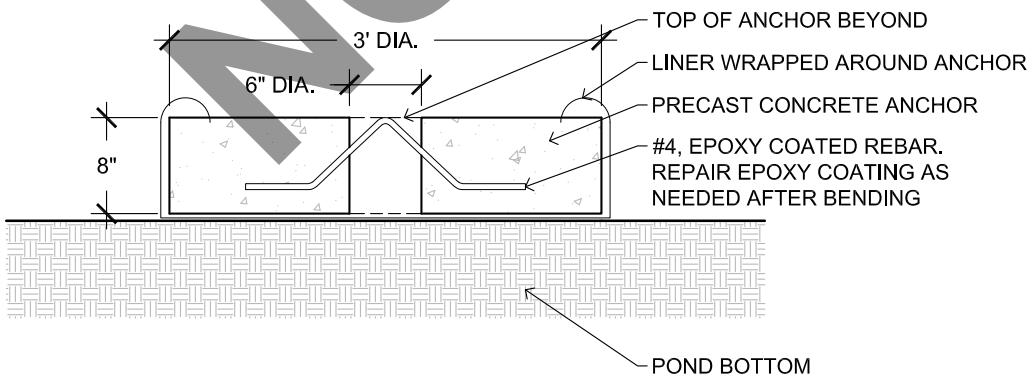
NOT FOR BID

WATERPARK APPARATUS (INFLATABLE) ANCHOR DESIGN

SPORTSPARK
PRECAST
CIRCLE
ANCHOR



1
SA-1
CIRCLE ANCHOR
3/4" = 1'-0"



2
SA-1
CIRCLE ANCHOR
3/4" = 1'-0"

COPYRIGHT NOTICE: THIS DRAWING, AND THE PRODUCTS IT DEPICTS, ARE CONFIDENTIAL AND PROPRIETARY AND SHALL BE USED ONLY FOR THE EXPRESS PURPOSE OF THE AGREEMENT BETWEEN COMMERCIAL RECREATIONS SPECIALISTS INC. AND IT'S SUBSIDIARIES. NO PART OF THIS DRAWING SHALL BE REPRODUCED OR DISSEMINATED WITHOUT PRIOR WRITTEN CONSENT FROM COMMERCIAL RECREATION SPECIALISTS.



REVIEW ONLY

PROJECT NO: -

DATE: APRIL 5, 2018

SHEET NAME:
CIRCLE ANCHOR

SHEET #:
SA-1

LAKE GREGORY - ARTIFICIAL FISH HABITATS

PROPOSED NEW FISH HABITATS



BASIS OF DESIGN:

The Texas BrushPile 48" x 92" American Fish Tree with PVS Cover Extension

LAKE GREGORY - ARTIFICIAL FISH HABITATS

EXISTING HABITATS



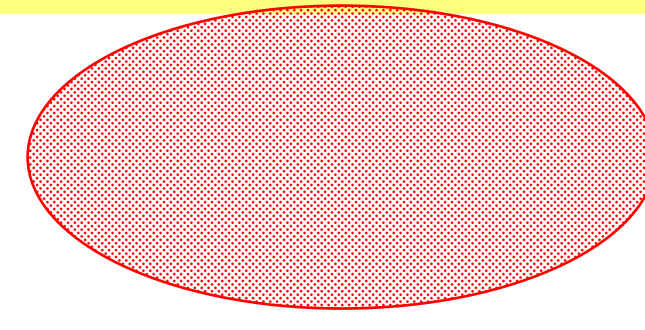
LAKE GREGORY - ARTIFICIAL FISH HABITATS

EXISTING HABITATS

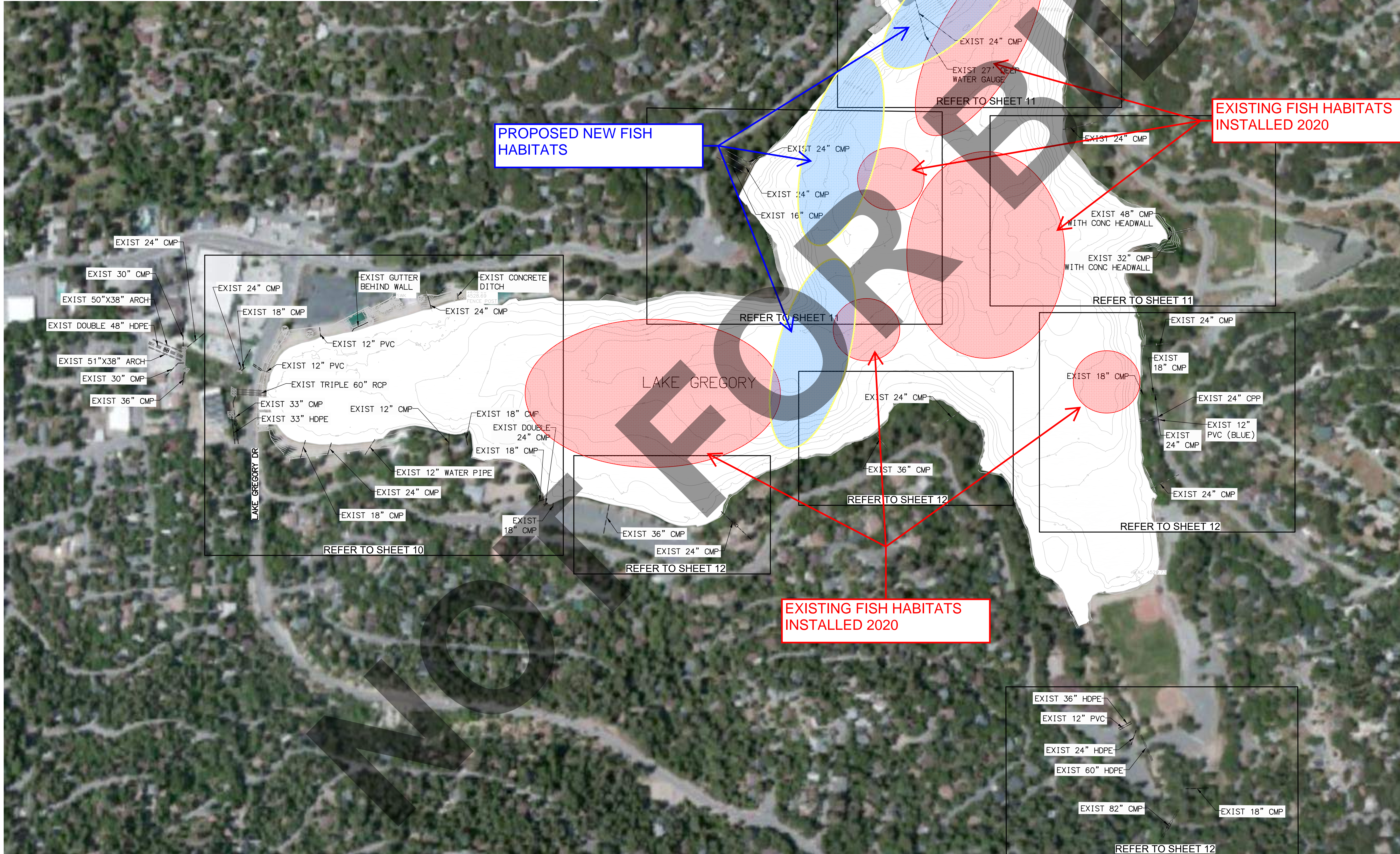
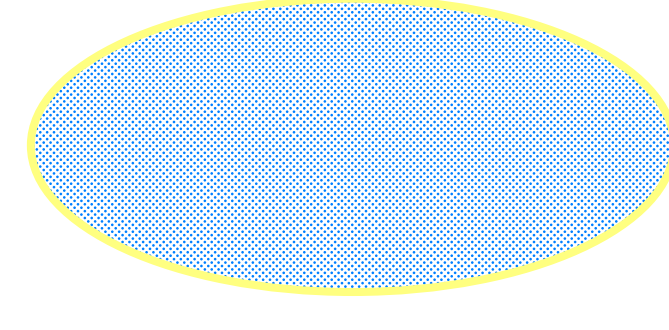


LAKE GREGORY - ARTIFICIAL FISH HABITATS

EXISTING OF 54 FISH HABITATS



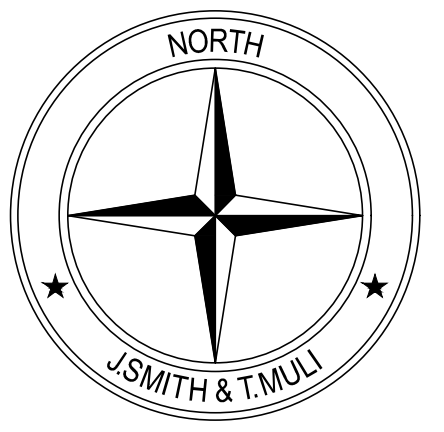
INSTALLED A TOTAL OF 50 NEW FISH HABITATS



EXISTING FISH HABITATS
INSTALLED 2020

PROPOSED NEW FISH
HABITATS

EXISTING FISH HABITATS
INSTALLED 2020



95% PROGRESS SET
NOT FOR CONSTRUCTION

UNDERGROUND SERVICE ALERT
Call: TOLL FREE
1-800-227-2600
OR
811
TWO WORKING DAYS BEFORE YOU DIG

BENCHMARK:
ELEVATIONS SHOWN HEREON ARE EXPRESSED IN THE U.S. SURVEY FEET AND ARE REFERENCED TO THE NORTH AMERICA VERTICAL DATUM OF 1988 (NAVD88) AND DEFINED LOCALLY USING THE ORTHOMETRIC HEIGHT FOR CORS STATION EWPP. SITE BENCHMARK AT POINT NO. 7000 DERIVED FROM STATIC OBSERVATIONS. ELEVATION = 4587.05'

BASIS OF BEARINGS:
BEARINGS SHOWN ON THIS MAP ARE REFERENCED TO THE CALIFORNIA COORDINATE SYSTEM, CCS83 (2011) EPOCH 2010.00, ZONE 05, DEFINED LOCALLY BY NGS PID'S EWPP, PS98, & P470 ACCORDING TO THE GEODETIC POSITIONS AS PUBLISHED BY NGS. ALL DISTANCES AND COORDINATES ARE REFERENCED TO CCS83 ZONE 05 GRID AND ARE EXPRESSED IN US SURVEY FOOT UNITS.

J. SMITH & T. MULI
33161 Camino Capistrano, Suite D, San Juan Capistrano, CA 92675
Phone: (949) 329-3639 • JSTMINC.COM
JONIS C. SMITH 058654 09/08/2023
PROFESSIONAL ENGINEER R.C.E. No. DATE

MARK	DATE	INITIAL	DESCRIPTION	APPR. DATE

PLANS APPROVED BY:
SAN BERNARDINO COUNTY - PUBLIC WORKS
SPECIAL DISTRICTS

APPROVALS	INITIAL	DATE
PROJECT MANAGER		
OPS. DIVISION MANAGER		
PM. DIVISION MANAGER		

IMPROVEMENT PLANS
LAKE GREGORY SITEWIDE SEDIMENT MANAGEMENT PROJECT
SAN BERNARDINO COUNTY REGIONAL PARKS DEPARTMENT
CRESTLINE, CALIFORNIA
INLETS SHEET INDEX AND EXISTING LAKE INLETS LAYOUT

DWG NO.
XX.XX.XXXX
FILE NO.
XXX-XXX
SHEET 9 OF 16

C:\Users\jmul1\OneDrive\Documents\Projects\1025 - Lake Gregory Sitewide Sediment Management - Project\GD\Grading - Plan\1025-SH-9-LAKE INLETS.dwg 02/04/24 - 9:02pm Thu 11