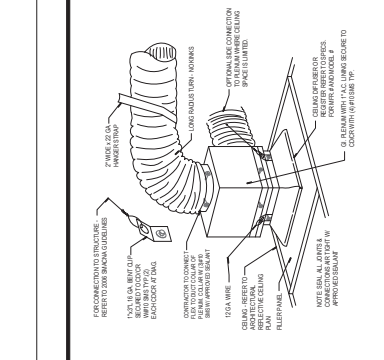
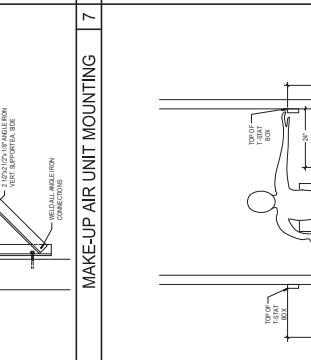
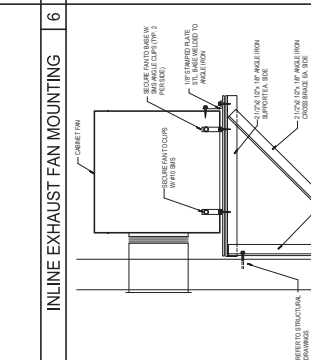
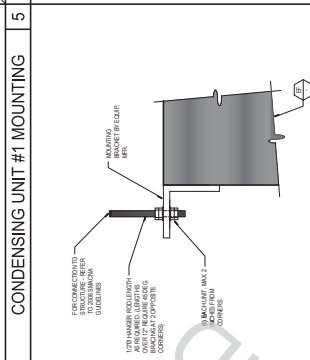
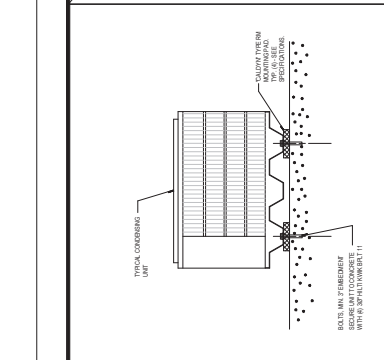
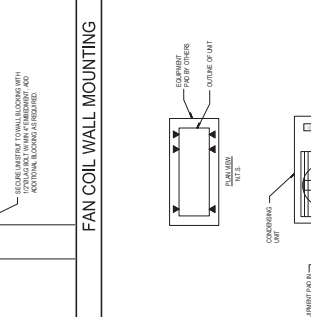
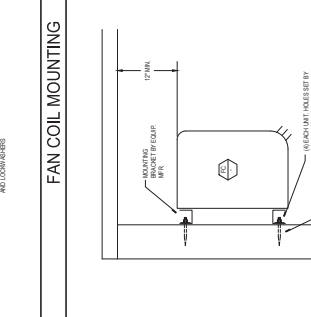
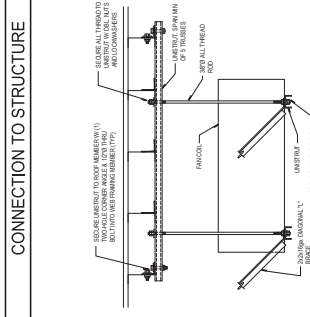


REFER TO STRUCTURAL DRAWINGS

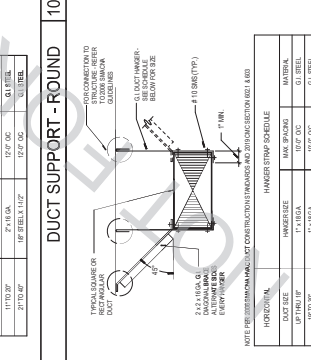
REVIEWED FOR CODE COMPLIANCE
 BY: [Signature]
 DATE: 06/20/2022
BUREAU BUREAU & BROTHERS, AMERICA, INC.
 20700 CENTRAL EXPRESSWAY, SUITE 200
 SAN BERNARDINO, CA 92408
 (951) 335-8888
 WWW.BUREAUENGINEERING.COM



DUCT SUPPORT - ROUND

NOTE: THE SUPPORT MANUFACTURER'S DUCT CONNECTIONS SHOULD BE USED TO PREVENT DAMAGE TO THE DUCT.

HORIZONTAL	HORIZONTAL	HORIZONTAL	HORIZONTAL
DUCT SIZE	MAX. SPACING	MATERIAL	NOTES
UP TO 18" Ø	12'-0"	Ø 1/2" STEEL	
UP TO 24" Ø	10'-0"	Ø 3/4" STEEL	
UP TO 30" Ø	8'-0"	Ø 1" STEEL	
UP TO 36" Ø	6'-0"	Ø 1 1/4" STEEL	
UP TO 42" Ø	4'-0"	Ø 1 1/2" STEEL	
UP TO 48" Ø	3'-0"	Ø 2" STEEL	
UP TO 60" Ø	2'-0"	Ø 2 1/2" STEEL	
UP TO 72" Ø	1'-6"	Ø 3" STEEL	
UP TO 84" Ø	1'-0"	Ø 3 1/2" STEEL	
UP TO 96" Ø	9" MIN.	Ø 4" STEEL	
UP TO 108" Ø	6" MIN.	Ø 4 1/2" STEEL	
UP TO 120" Ø	4" MIN.	Ø 5" STEEL	



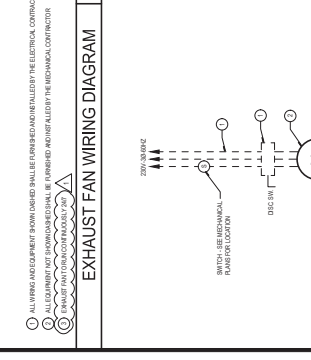
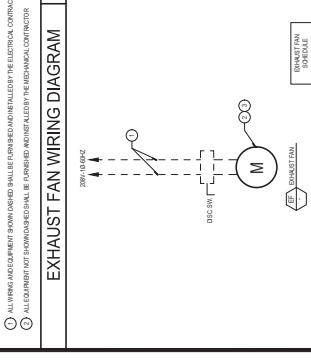
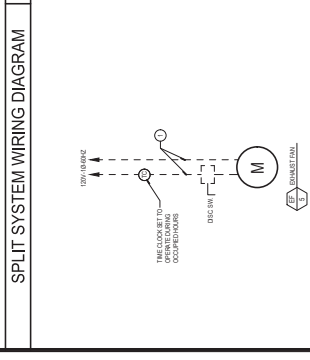
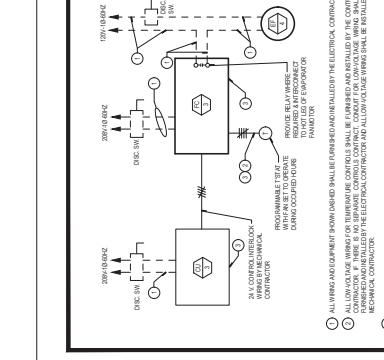
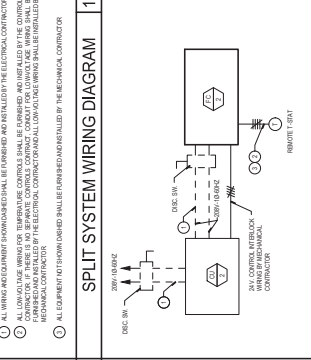
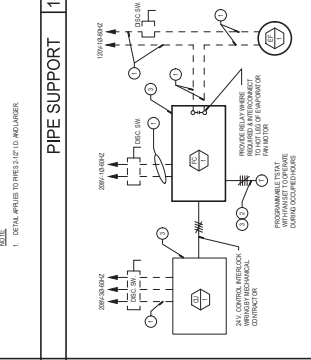
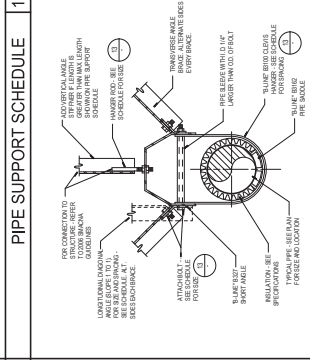
DUCT GAUGE SCHEDULE

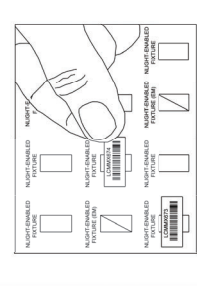
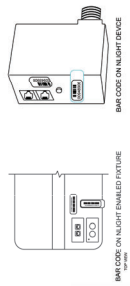
DUCT TYPE	GAUGE	TRANSFORMER JOINT	MAX. SPACING
RECTANGULAR	1/2" ALUMINUM	Ø 1/2" STEEL	12'-0"
RECTANGULAR	3/4" ALUMINUM	Ø 3/4" STEEL	10'-0"
RECTANGULAR	1" ALUMINUM	Ø 1" STEEL	8'-0"
RECTANGULAR	1 1/4" ALUMINUM	Ø 1 1/4" STEEL	6'-0"
RECTANGULAR	1 1/2" ALUMINUM	Ø 1 1/2" STEEL	4'-0"
RECTANGULAR	2" ALUMINUM	Ø 2" STEEL	3'-0"
RECTANGULAR	2 1/2" ALUMINUM	Ø 2 1/2" STEEL	2'-0"
RECTANGULAR	3" ALUMINUM	Ø 3" STEEL	1'-6"
RECTANGULAR	3 1/2" ALUMINUM	Ø 3 1/2" STEEL	1'-0"
RECTANGULAR	4" ALUMINUM	Ø 4" STEEL	9"
RECTANGULAR	4 1/2" ALUMINUM	Ø 4 1/2" STEEL	6"



PIPE SUPPORT SCHEDULE

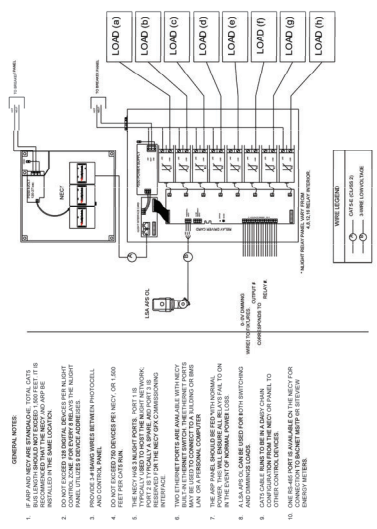
PIPE SIZE	MAX. SPACING	MATERIAL	NOTES
UP TO 2" Ø	12'-0"	Ø 1/2" STEEL	
UP TO 3" Ø	10'-0"	Ø 3/4" STEEL	
UP TO 4" Ø	8'-0"	Ø 1" STEEL	
UP TO 6" Ø	6'-0"	Ø 1 1/4" STEEL	
UP TO 8" Ø	4'-0"	Ø 1 1/2" STEEL	
UP TO 10" Ø	3'-0"	Ø 2" STEEL	
UP TO 12" Ø	2'-0"	Ø 2 1/2" STEEL	
UP TO 14" Ø	1'-6"	Ø 3" STEEL	
UP TO 16" Ø	1'-0"	Ø 3 1/2" STEEL	
UP TO 18" Ø	9"	Ø 4" STEEL	
UP TO 20" Ø	6"	Ø 4 1/2" STEEL	
UP TO 24" Ø	4"	Ø 5" STEEL	



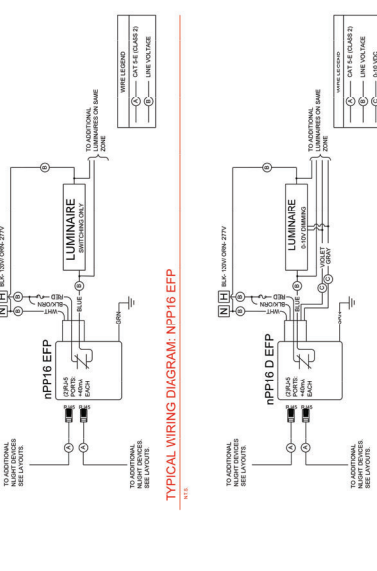


BARCODE INSTRUCTIONS

- NOTES:**
1. THE BARCODE ON LIGHT ENCLOSED FEATURE IS A REQUIRED FEATURE FOR ALL LIGHT FIXTURES. THE BARCODE ON LIGHT DEVICE IS A REQUIRED FEATURE FOR ALL LIGHT FIXTURES.
 2. THE BARCODE ON LIGHT ENCLOSED FEATURE IS A REQUIRED FEATURE FOR ALL LIGHT FIXTURES. THE BARCODE ON LIGHT DEVICE IS A REQUIRED FEATURE FOR ALL LIGHT FIXTURES.
 3. THE BARCODE ON LIGHT ENCLOSED FEATURE IS A REQUIRED FEATURE FOR ALL LIGHT FIXTURES. THE BARCODE ON LIGHT DEVICE IS A REQUIRED FEATURE FOR ALL LIGHT FIXTURES.
 4. THE BARCODE ON LIGHT ENCLOSED FEATURE IS A REQUIRED FEATURE FOR ALL LIGHT FIXTURES. THE BARCODE ON LIGHT DEVICE IS A REQUIRED FEATURE FOR ALL LIGHT FIXTURES.
- BARCODE INSTRUCTIONS:**
1. THE BARCODE ON LIGHT ENCLOSED FEATURE IS A REQUIRED FEATURE FOR ALL LIGHT FIXTURES. THE BARCODE ON LIGHT DEVICE IS A REQUIRED FEATURE FOR ALL LIGHT FIXTURES.
 2. THE BARCODE ON LIGHT ENCLOSED FEATURE IS A REQUIRED FEATURE FOR ALL LIGHT FIXTURES. THE BARCODE ON LIGHT DEVICE IS A REQUIRED FEATURE FOR ALL LIGHT FIXTURES.
 3. THE BARCODE ON LIGHT ENCLOSED FEATURE IS A REQUIRED FEATURE FOR ALL LIGHT FIXTURES. THE BARCODE ON LIGHT DEVICE IS A REQUIRED FEATURE FOR ALL LIGHT FIXTURES.
 4. THE BARCODE ON LIGHT ENCLOSED FEATURE IS A REQUIRED FEATURE FOR ALL LIGHT FIXTURES. THE BARCODE ON LIGHT DEVICE IS A REQUIRED FEATURE FOR ALL LIGHT FIXTURES.



NIGHT ARP TO NECY AND LSA APS OL



TYPICAL WIRING DIAGRAM: NPP16 D EFP

CONSULTANT:

DESIGN WEST ENGINEERING, INC.
 12150 BIRCHMOUNT DRIVE, SUITE 100
 SAN DIEGO, CALIFORNIA 92128
 TEL: 619-594-1100
 FAX: 619-594-1101
 WWW.DESIGNWESTENGINEERING.COM

PROJECT ADMINISTRATION BY:
 SAN BERNARDINO COUNTY
 PROJECT AND FACILITIES
 MANAGEMENT DEPARTMENT -
 PROJECT MANAGEMENT
 DIVISION

**365 N. ARROWHEAD AVE.
 2ND FLOOR
 SAN BERNARDINO, CA 92405**

PROJECT NAME:
 SAN BERNARDINO COUNTY
 RANCH OF LONGA
 NEW YARD
 CONSTRUCTION

**PROJECT # 10.10.133
 OP # 22-042
 CAFM # ET005
 APN: 1089031390000,
 1089031300000**

**12158 BASE LINE ROAD
 RANCHO SAN ANTONIO,
 CA 91729**

ISSUE INFORMATION:
 DATE: 04-29-21
 INFORMATION: 1st Floor Check

SHEET INFORMATION:
 STR. PROJECT NO: 374-134-20
 SCALE: AS NOTED
 PLOT DATE: NOVEMBER 2022
 DRAWING NAME:
 SCALE:

SHEET TITLE:
 LIGHTING
 CONTROL DETAILS

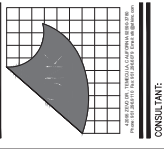
SHEET NO.:
 E0.4

REVIEWED FOR CODE COMPLIANCE
 I have reviewed this drawing for compliance with the applicable building codes and standards. I am a duly licensed professional engineer in the State of California. My review is limited to the electrical system shown on this drawing and does not constitute a warranty of any kind. I am not responsible for any errors or omissions on this drawing that may have occurred prior to my review or for any consequences that may result from the use of this drawing.

DATE: 10/12/21

DESIGN WEST ENGINEERING, INC.

NOT FOR BID



DESIGN WEST ENGINEERING
 1000 N. GARDEN AVENUE, SUITE 200
 SAN BERNARDINO, CA 92410
 (909) 398-8800
 WWW.DESIGNWESTENGINEERING.COM

PROJECT ADMINISTERED BY
 SAN BERNARDINO COUNTY
 PROJECT AND FACILITIES
 MANAGEMENT DEPARTMENT -
 DIVISION

365 N. ARROWHEAD AVE
 SAN BERNARDINO, CA 92405

PROJECT NAME:
 SAN BERNARDINO COUNTY
 RAINCOURT NEW YARD
 CONSTRUCTION

PROJECT # 10.10.133
 OP # 22-042
 CAFM # ET005
 APN: 1089031300000
 12188 BASE LINE ROAD
 RAINCOURT NEW YARD,
 CA 91729

ISSUE INFORMATION:
 DATE: 04-29-21
 INFORMATION: 1st Plan Check

SHEET INFORMATION:
 STR PROJECT NO. 374-134-20
 SCALE: AS NOTED
 PLOT DATE: NOVEMBER 2022
 DRAWING NAME:
 SEAL:

SHEET TITLE:
 TITLE 24
 COMPLIANCE
 DOCUMENTS
 (PRESCRIPTIVE)

SHEET NO.:
 E0.7

Outdoor Lighting
 COMPLIANCE WITH TITLE 24, PART 20.2, CHAPTER 20.201, SUBCHAPTER 20.201.1, SECTION 20.201.1.01, TABLE 20.201.1.01-1, AND SECTION 20.201.1.02, TABLE 20.201.1.02-1.

GENERAL INFORMATION

Project Name: Raincourt New Yard Construction
 Project Number: 10.10.133
 Operation Number: 22-042
 CAFM Number: ET005
 APN: 1089031300000

PROJECT INFORMATION

Project Location: 12188 Base Line Road, Raincourt New Yard, San Bernardino, CA 91729
 Project Description: Construction of Raincourt New Yard, including parking structure and associated facilities.

DESIGNER INFORMATION

Design West Engineering
 1000 N. Garden Avenue, Suite 200, San Bernardino, CA 92410
 (909) 398-8800
 www.designwestengineering.com

CLIENT INFORMATION

San Bernardino County
 Project and Facilities Management Department
 365 N. Arrowhead Avenue, San Bernardino, CA 92405

DATE
 04/29/21

REVISIONS

NO.	DESCRIPTION	DATE
1	Initial Issue	04/29/21
2	1st Plan Check	04/29/21

Outdoor Lighting
 COMPLIANCE WITH TITLE 24, PART 20.2, CHAPTER 20.201, SUBCHAPTER 20.201.1, SECTION 20.201.1.01, TABLE 20.201.1.01-1, AND SECTION 20.201.1.02, TABLE 20.201.1.02-1.

GENERAL INFORMATION

Project Name: Raincourt New Yard Construction
 Project Number: 10.10.133
 Operation Number: 22-042
 CAFM Number: ET005
 APN: 1089031300000

PROJECT INFORMATION

Project Location: 12188 Base Line Road, Raincourt New Yard, San Bernardino, CA 91729
 Project Description: Construction of Raincourt New Yard, including parking structure and associated facilities.

DESIGNER INFORMATION

Design West Engineering
 1000 N. Garden Avenue, Suite 200, San Bernardino, CA 92410
 (909) 398-8800
 www.designwestengineering.com

CLIENT INFORMATION

San Bernardino County
 Project and Facilities Management Department
 365 N. Arrowhead Avenue, San Bernardino, CA 92405

DATE
 04/29/21

REVISIONS

NO.	DESCRIPTION	DATE
1	Initial Issue	04/29/21
2	1st Plan Check	04/29/21

Outdoor Lighting
 COMPLIANCE WITH TITLE 24, PART 20.2, CHAPTER 20.201, SUBCHAPTER 20.201.1, SECTION 20.201.1.01, TABLE 20.201.1.01-1, AND SECTION 20.201.1.02, TABLE 20.201.1.02-1.

GENERAL INFORMATION

Project Name: Raincourt New Yard Construction
 Project Number: 10.10.133
 Operation Number: 22-042
 CAFM Number: ET005
 APN: 1089031300000

PROJECT INFORMATION

Project Location: 12188 Base Line Road, Raincourt New Yard, San Bernardino, CA 91729
 Project Description: Construction of Raincourt New Yard, including parking structure and associated facilities.

DESIGNER INFORMATION

Design West Engineering
 1000 N. Garden Avenue, Suite 200, San Bernardino, CA 92410
 (909) 398-8800
 www.designwestengineering.com

CLIENT INFORMATION

San Bernardino County
 Project and Facilities Management Department
 365 N. Arrowhead Avenue, San Bernardino, CA 92405

DATE
 04/29/21

REVISIONS

NO.	DESCRIPTION	DATE
1	Initial Issue	04/29/21
2	1st Plan Check	04/29/21

Outdoor Lighting
 COMPLIANCE WITH TITLE 24, PART 20.2, CHAPTER 20.201, SUBCHAPTER 20.201.1, SECTION 20.201.1.01, TABLE 20.201.1.01-1, AND SECTION 20.201.1.02, TABLE 20.201.1.02-1.

GENERAL INFORMATION

Project Name: Raincourt New Yard Construction
 Project Number: 10.10.133
 Operation Number: 22-042
 CAFM Number: ET005
 APN: 1089031300000

PROJECT INFORMATION

Project Location: 12188 Base Line Road, Raincourt New Yard, San Bernardino, CA 91729
 Project Description: Construction of Raincourt New Yard, including parking structure and associated facilities.

DESIGNER INFORMATION

Design West Engineering
 1000 N. Garden Avenue, Suite 200, San Bernardino, CA 92410
 (909) 398-8800
 www.designwestengineering.com

CLIENT INFORMATION

San Bernardino County
 Project and Facilities Management Department
 365 N. Arrowhead Avenue, San Bernardino, CA 92405

DATE
 04/29/21

REVISIONS

NO.	DESCRIPTION	DATE
1	Initial Issue	04/29/21
2	1st Plan Check	04/29/21

Outdoor Lighting
 COMPLIANCE WITH TITLE 24, PART 20.2, CHAPTER 20.201, SUBCHAPTER 20.201.1, SECTION 20.201.1.01, TABLE 20.201.1.01-1, AND SECTION 20.201.1.02, TABLE 20.201.1.02-1.

GENERAL INFORMATION

Project Name: Raincourt New Yard Construction
 Project Number: 10.10.133
 Operation Number: 22-042
 CAFM Number: ET005
 APN: 1089031300000

PROJECT INFORMATION

Project Location: 12188 Base Line Road, Raincourt New Yard, San Bernardino, CA 91729
 Project Description: Construction of Raincourt New Yard, including parking structure and associated facilities.

DESIGNER INFORMATION

Design West Engineering
 1000 N. Garden Avenue, Suite 200, San Bernardino, CA 92410
 (909) 398-8800
 www.designwestengineering.com

CLIENT INFORMATION

San Bernardino County
 Project and Facilities Management Department
 365 N. Arrowhead Avenue, San Bernardino, CA 92405

DATE
 04/29/21

REVISIONS

NO.	DESCRIPTION	DATE
1	Initial Issue	04/29/21
2	1st Plan Check	04/29/21

Outdoor Lighting
 COMPLIANCE WITH TITLE 24, PART 20.2, CHAPTER 20.201, SUBCHAPTER 20.201.1, SECTION 20.201.1.01, TABLE 20.201.1.01-1, AND SECTION 20.201.1.02, TABLE 20.201.1.02-1.

GENERAL INFORMATION

Project Name: Raincourt New Yard Construction
 Project Number: 10.10.133
 Operation Number: 22-042
 CAFM Number: ET005
 APN: 1089031300000

PROJECT INFORMATION

Project Location: 12188 Base Line Road, Raincourt New Yard, San Bernardino, CA 91729
 Project Description: Construction of Raincourt New Yard, including parking structure and associated facilities.

DESIGNER INFORMATION

Design West Engineering
 1000 N. Garden Avenue, Suite 200, San Bernardino, CA 92410
 (909) 398-8800
 www.designwestengineering.com

CLIENT INFORMATION

San Bernardino County
 Project and Facilities Management Department
 365 N. Arrowhead Avenue, San Bernardino, CA 92405

DATE
 04/29/21

REVISIONS

NO.	DESCRIPTION	DATE
1	Initial Issue	04/29/21
2	1st Plan Check	04/29/21

Outdoor Lighting
 COMPLIANCE WITH TITLE 24, PART 20.2, CHAPTER 20.201, SUBCHAPTER 20.201.1, SECTION 20.201.1.01, TABLE 20.201.1.01-1, AND SECTION 20.201.1.02, TABLE 20.201.1.02-1.

GENERAL INFORMATION

Project Name: Raincourt New Yard Construction
 Project Number: 10.10.133
 Operation Number: 22-042
 CAFM Number: ET005
 APN: 1089031300000

PROJECT INFORMATION

Project Location: 12188 Base Line Road, Raincourt New Yard, San Bernardino, CA 91729
 Project Description: Construction of Raincourt New Yard, including parking structure and associated facilities.

DESIGNER INFORMATION

Design West Engineering
 1000 N. Garden Avenue, Suite 200, San Bernardino, CA 92410
 (909) 398-8800
 www.designwestengineering.com

CLIENT INFORMATION

San Bernardino County
 Project and Facilities Management Department
 365 N. Arrowhead Avenue, San Bernardino, CA 92405

DATE
 04/29/21

REVISIONS

NO.	DESCRIPTION	DATE
1	Initial Issue	04/29/21
2	1st Plan Check	04/29/21

Outdoor Lighting
 COMPLIANCE WITH TITLE 24, PART 20.2, CHAPTER 20.201, SUBCHAPTER 20.201.1, SECTION 20.201.1.01, TABLE 20.201.1.01-1, AND SECTION 20.201.1.02, TABLE 20.201.1.02-1.

GENERAL INFORMATION

Project Name: Raincourt New Yard Construction
 Project Number: 10.10.133
 Operation Number: 22-042
 CAFM Number: ET005
 APN: 1089031300000

PROJECT INFORMATION

Project Location: 12188 Base Line Road, Raincourt New Yard, San Bernardino, CA 91729
 Project Description: Construction of Raincourt New Yard, including parking structure and associated facilities.

DESIGNER INFORMATION

Design West Engineering
 1000 N. Garden Avenue, Suite 200, San Bernardino, CA 92410
 (909) 398-8800
 www.designwestengineering.com

CLIENT INFORMATION

San Bernardino County
 Project and Facilities Management Department
 365 N. Arrowhead Avenue, San Bernardino, CA 92405

DATE
 04/29/21

REVISIONS

NO.	DESCRIPTION	DATE
1	Initial Issue	04/29/21
2	1st Plan Check	04/29/21

Outdoor Lighting
 COMPLIANCE WITH TITLE 24, PART 20.2, CHAPTER 20.201, SUBCHAPTER 20.201.1, SECTION 20.201.1.01, TABLE 20.201.1.01-1, AND SECTION 20.201.1.02, TABLE 20.201.1.02-1.

GENERAL INFORMATION

Project Name: Raincourt New Yard Construction
 Project Number: 10.10.133
 Operation Number: 22-042
 CAFM Number: ET005
 APN: 1089031300000

PROJECT INFORMATION

Project Location: 12188 Base Line Road, Raincourt New Yard, San Bernardino, CA 91729
 Project Description: Construction of Raincourt New Yard, including parking structure and associated facilities.

DESIGNER INFORMATION

Design West Engineering
 1000 N. Garden Avenue, Suite 200, San Bernardino, CA 92410
 (909) 398-8800
 www.designwestengineering.com

CLIENT INFORMATION

San Bernardino County
 Project and Facilities Management Department
 365 N. Arrowhead Avenue, San Bernardino, CA 92405

DATE
 04/29/21

REVISIONS

NO.	DESCRIPTION	DATE
1	Initial Issue	04/29/21
2	1st Plan Check	04/29/21

REVIEWED FOR CODE COMPLIANCE
 DATE: 04/29/21

DESIGN WEST ENGINEERING
 1000 N. GARDEN AVENUE, SUITE 200
 SAN BERNARDINO, CA 92410
 (909) 398-8800
 WWW.DESIGNWESTENGINEERING.COM

PROJECT # 10.10.133
 OP # 22-042
 CAFM # ET005
 APN: 1089031300000
 12188 BASE LINE ROAD
 RAINCOURT NEW YARD,
 CA 91729

ISSUE INFORMATION:
 DATE: 04-29-21
 INFORMATION: 1st Plan Check

SHEET INFORMATION:
 STR PROJECT NO. 374-134-20
 SCALE: AS NOTED
 PLOT DATE: NOVEMBER 2022
 DRAWING NAME:
 SEAL:

SHEET TITLE:
 TITLE 24
 COMPLIANCE
 DOCUMENTS
 (PRESCRIPTIVE)

SHEET NO.:
 E0.7