

POINTS LIST

DDC POINTS LIST table with columns: POINT ID, Point Type, CONTROL DEVICE, CONTROL DESCRIPTION, CONTROL DEVICE LOCATION, AI, AO, DI, DO, NOTES

NOTES: 1) WHERE REQUIRED BY AN AIA/BUREAU VIA BAU NET PROTOCOL FOR BUREAU COMPONENT

GENERAL NOTES: 1) ALL SYSTEMS SHALL INTEGRATE THROUGH BENTON COMPANY OPERATED SUBSYSTEMS INTO WHATEVER AIA/D SHALL BE INTEGRATED FOR THE POINTS REQUIRED

GENERAL

- Extent of Demolition symbols, New to Existing Connection symbols, Revision Number symbols, Work Item (Architectural) symbols, Work Item (Mechanical) symbols, Work Item (Electromechanical) symbols, Work Item (Plumbing) symbols, Work Item (Scheduling) symbols, Detail Designation symbols, Equipment Designation symbols, System Designation symbols, To be Demolished symbols, Relocated Equipment symbols.

PPING

- Arrow indicates direction of flow, Existing piping (above grade or floor), Existing piping (below grade or floor), New piping (above grade or floor), New piping (below grade or floor), Pipe to be removed (above grade or floor), Pipe to be removed (below grade or floor).

HEATING

- BSB: Boiler Flow Down, CR: Condensate Return, CW: City Water, FWH(S): Fuel Oil (Return/Supply), FOW: Fuel Oil Tank Vent, PWH(S/T): Primary/Secondary Heating Hot Water (Return/Supply), HWH(S): High-Temperature Hot Water (Return/Supply), HPS: High Pressure Steam, HW: Heating Water, LWH(S): Low-Temperature/Pressure Steam, LWH(S)/MHW(S): Low-Temperature/Pressure Condensate Return, MW: Makeup Water, PWR: Pumped Condensate Return, VR: Vacuum Condensate Return.

AIR CONDITIONING

- CHW(S): Chilled Water (Return/Supply), CHWS: Chilled Water (Return/Supply), DHW: Domestic Water, HW/SHW(S): Hot/Chilled Water (Return/Supply), PCHW(S): Primary Chilled Water (Return/Supply), SChW(S): Secondary Chilled Water (Return/Supply), TChW(S): Tertiary Chilled Water (Return/Supply).

PPING SPECIALTIES

- Automatic Air Vent, Manual Air Vent, Air Separator, Alignment Guide, Anchor, Back Flow Preventer, Ball Joint, Dri Pockey, Expansion Joint, Fiberglass Condenser, Filter, Flange, Flange Gasket, Flange Nut, Flange Washer, Flange Washer, Hose Connector, Hose Bibb, Makeup Assembly, Meter, Pot Feeder, Pressure Gauge and Cock, Pump, Strainer, Strainer W/Flow Off, Test Plug (PETS' PLUG), Thermometer, Thermometer Well, Steam Trap, Suction Diffuser, Transducer Branching, Gas Regulator.

VALVES

- Ball, Butterfly, Gate, Work Item (Angle), Globe, Work Item (Globe), Angle, Three Way.

VALVES, SPECIAL DUTY

- Check, Swing Gate, Circuit Setter, Needle, Pressure Reducing (Number & Specify), Relief (X) or Safety (S), Pressure Regulator, Seismic Valve, Make Up Water Assembly, Back Pressure, Plug Valve, Check Valve, Triple Duty Valve (Stop Check & Balance Bldg/Pressure Taps), Reduced Pressure Backflow Preventer, Flow Control.

ACTUATORS

- Motor, Pneumatic, Solenoid, British Thermal Unit Per Hour, Built-Up Roofing, Ball Valve, Solenoid, Compressor Air, Condensate Drain, Oil For Furnace, Cubic Feet Per Minute, Chemical Feed Tank, Chilled Water Return/Supply, Chilled Water (Return/Supply) (Temperature), Ceiling, Counterpane Radius, Clean-Out, Column, Concrete, Connect or Connection, Continuation, Control, Control Panel, Condensate Return, Computer Room Air Conditioner, Cooling Tower, Control, Copper, Control Valve, City Water, Condenser Water Pump, Condenser Water (Return/Supply) (Temperature).

CONTROLS

- Analog Input, Analog Output, Bypass Timer, Controller, Differential Pressure Transmitter, Digital (On/Off) Input, Digital (On/Off) Output, Flow Element, Flow Transmitter, Flow Switch, Flowmeter, Flowmeter, Office, Humidity Controller, Humidity Transmitter, Motor/Actuator, Motor Starter, Pressure Indicator, PID Control Loop (Representation), Pressure Switch, Pressure Transmitter, Reheat Coil, Relay Coil, Sensor, Temperature Sensor, Temperature Element, Temperature Indicator, Temperature Transmitter, Thermostatic or Temperature Sensor (Doc) (Set To 45°F App), Heating Coil, Cooling Coil, Direct Expansion Coil, Gas Fired Heat Exchanger, Variable Frequency Drive.

ABBREVIATIONS

Large table of abbreviations for mechanical systems, including terms like AT (Automatic Air Vent), AC (Air Conditioning Unit Designation), ACC (Air Cooled Condenser), ACM (Asbestos Containing Material), ACP (Asbestos Cement Pipe), AD (Access Door), AFF (Above Finished Floor), AGF (Above Finished Grade), AH (Air Handler), AHU (Air Handling Unit), AUC (Air Handling Unit Controller), AN (Analog Input), ANS (American National Standards Institute), AO (American Output), APD (Air Pressure Drop), ARCH (Architectural), ARS (Air Separator), ASU (All Service Jacket), ASME (American Society of Mechanical Engineers), ASSY (Assembly), ASTM (American Society for Testing and Materials), B (Boiler), BAS (Building Automation System), BAV (Balancing Valve), BDD (Backdraft Damper), BFD (Backflow Preventer), BV (Butterfly Valve), BWP (Backflow Preventer), BLD (Building), BOT (Bottom of Deck), BOP (Bottom of Pipe), BR (Boiler), BTUH (British Thermal Unit Per Hour), BUR (Built-Up Roofing), BV (Ball Valve), CA (Compressor Air), CC/C (Cooling Coil), CD (Condensate Drain), CFM (Cubic Feet Per Minute), CFT (Chemical Feed Tank), CHW(R) (Chilled Water Return/Supply), CHW(S) (Chilled Water (Return/Supply) (Temperature)), CL (Ceiling), CLR (Counterpane Radius), CO (Clean-Out), COL (Column), CONC (Concrete), CONN (Connect or Connection), CONT (Continuation), CONTR (Control), CP (Control Panel), CR (Condensate Return), CRAC (Computer Room Air Conditioner), CT (Cooling Tower), CTRL (Control), CU (Copper), CV (Control Valve), CW (City Water), CWP (Condenser Water Pump), CWH(S/T) (Condenser Water (Return/Supply) (Temperature)), D&D (Demolish and Legally Dispose of), D (Dry), DRY (Dry Bulb), DOW (Domestic City Water), DDC (Direct Digital Control), DR (Doulas FR), DSHW(R) (Domestic Hot Water (Return)), DI (Discrete Input), DIA (Diameter), DISC (Disconnect), DN (Down), DO (Discrete Output), DPF (Differential Pressure), DPS (Differential Pressure Switch), DPT (Differential Pressure Transducer), DRY (Double Inlet), DRWG (Drawing), DWH (Domestic Water Heater), DX (Direct Expansion), EX (Existing), EX(A) (Exhaust Air (Temperature)), EX(B) (Exhaust Air Duct), EXT (Exhaust Air Temperature), EXR (Energy Efficiency Ratio), EXH (Exhaust Fan), EJ (Expansion Joint), EL (Elevation Loop), ELEV (Elevation), ELIC (Electrical), EMCS (Energy Management & Control System), EMS (Energy Management System), END (Extent of Demolition), E/P (Electro/Pneumatic Transducer), EQUIP. (Equipment), ESP (Electric Service Pressure (N.W.G.)), ET (Expansion Tank), EVS (Emergency Evacuation and Shower), EW (Entering Water Temperature), EXH (Exhaust), EXH (Exhaust Air (Grille)), EXH(A) (Exhaust Air (Temperature)), EXH(B) (Exhaust Air Duct), EXH(C) (Exhaust Air Intake), EXH(D) (Exhaust Air Volume Damper), O.C. (Outside Air (Grille)), O.C. (Outside Air (Temperature)), OAD (Outside Air Damper), OAS (Outside Air Sensor), OASD (Outside Air Volume Damper), O.C. (Outside Air Intake), O.D. (Outside Dimension or Outside Diameter), OSAY (Outside Stem & Yoke Gate Valve), OVL (Outlet Velocity), OVEN (Oven), OPS (Operator's Work Station), PLATE (Plate), P (Pump), POWH(S/T) (Primary CW (Return/Supply) (Temperature)), PCHP (Pumped Chilled Water), PCW (Primary Chilled Water), PD (Pressure Drop), PE (Pneumatic to Electric Relay), PEC (Programmable Equipment Controller), PCS (Pipe Size), PHW(S) (Primary Hot Water (Return/Supply)), P&ID (Process & Instrumentation Diagram), PV (Press Indicating Valve), PLY (PLY or Plywood), PM (Power Meter), POC (Point of Connection), PRS (Pressure Reducing Station), FLOOR CLEAN OUT, FAN COOL UNIT, FAN DAMPER, FAN CONNECTION, FIRE DEPARTMENT CONNECTION, FLOOR GAS REGULATOR, FDC (Fire Hose Cabinet), FLA (Full Load Amps), FLEXIBLE, FLOOR FLATER, FLOOR WATER, FUEL OIL (RETURN/SUPPLY), FUEL OIL VALVE, FINS PER FOOT, FIBER REINFORCED POLYMER, FLOOR GROUND, COMBINATION FIRE AND SMOKE DAMPER, FLOW TRANSMITTER OF FEET, FIRE WATER, GAS, GALS, GALVNE, GALVLINE, GALVANIZED, GAS FURNACE, GALONS PER MINUTE, GALVANIZED SHEET METAL, GATE VALVE, SUPPLY AIR DUCT, SEE ARCHITECTURAL DRAWINGS, SUPPLY AIR GRILLE, SUPPLY AIR (TEMPERATURE), SELF-CONTAINED BREATHING APPARATUS, SEE CIVIL DRAWINGS, SECONDARY CW (RETURN/SUPPLY) (TEMPERATURE), SECONDARY CW PUMP, STORM DRAIN, STORM DRAIN CLEAN-OUT, SEE ELECTRICAL DRAWINGS, SEASONAL ENERGY EFFICIENCY RATIO, SENSIBLE, HOT WATER PUMP, HEAT EXCHANGER, HORIZ. CYCLES PER SECOND, INSTRUMENT AIR, INDUSTRIAL COLD WATER, INSIDE DIAMETER, INVERT ELEVATION, INCH, INCH WATER GAGE (PRESSURE), IRRIGATION LINE, KWH, KLOMMAT, LEAVING AIR TEMPERATURE, POUNDS, LOW PRESSURE STEAM, LIGHTING RELAY PANEL, LOW WATER OUT OFF, LEAVING WATER TEMPERATURE, MIXED AIR (TEMPERATURE), MANUAL AIR VENT, MAXIMUM, MBR, MOTOR CONTROL CENTER, MANUAL VOLUME DAMPER, MICH (Mechanical), MANUFACTURER, MHW(S/T) (Mixed Air (Temperature)), MMBTUH (Millions BTU Per Hour), MOP (Maximum Over Current Protection), MPT (Medium Pressure Gas), MRR (Mechanical Room), MOUNT, MOUNTED, MOUNTING, MAKE-UP, MAKE UP ASSEMBLY, NETWORK AIR CONTROLLER, NORMALLY CLOSED, NATIONAL FIRE PROTECTION ASSOCIATION, NOT IN CONTRACT, NITROGEN OXIDE, NORMALLY OPEN, NET POSITIVE SUCTION HEAD (REQUIRED), NOT TO SCALE, OUTSIDE AIR (GRILLE), OUTSIDE AIR (TEMPERATURE), OUTSIDE AIR DAMPER, OUTSIDE AIR INTAKE, OUTSIDE DIMENSION OR OUTSIDE DIAMETER, OUTSIDE STEM & YOKE GATE VALVE, OUTLET VELOCITY, OVEN, OPERATOR'S WORK STATION, PLATE, PUMP, PRIMARY CW (RETURN/SUPPLY) (TEMPERATURE), PUMPED CONDENSATE RETURN, PRESSURE DROP, PNEUMATIC TO ELECTRIC RELAY, PROGRAMMABLE EQUIPMENT CONTROLLER, PIPE SIZE, PRIMARY HOT WATER (RETURN/SUPPLY), PROCESS & INSTRUMENTATION DIAGRAM, PRESS INDICATING VALVE, PLYWOOD, POWER METER, POINT OF CONNECTION, PRESSURE REDUCING STATION, PRESSURE REDUCING VALVE, POUNDS PER SQUARE INCH (GAUGE), PIPE SUPPORT DESIGNATION, PIPES ARE TREATED DOUGLAS FIR, POLYVINYL CHLORIDE RELAY, REMOVE AND RELOCATE, RELOCATED, RETURN AIR, RETURN AIR DUCT, RETURN AIR GRILLE, RETURN AIR (TEMPERATURE), ROOF URAN, ROOF URAN, RETURN AIR FAN, RETURN AIR FAN, REHEAT COIL, RM ELEVATION, RETIRED-IN-PLACE, RETIRED LOW AMPS, REVERSE GEARBOX, REVOLUTIONS PER MINUTE, RELIEF VALVE, RECLAIMED WATER, RAIN WATER LEADER, SMOKE DAMPER, SEE ARCHITECTURAL DRAWINGS, SUPPLY AIR GRILLE, SUPPLY AIR (TEMPERATURE), SELF-CONTAINED BREATHING APPARATUS, SEE CIVIL DRAWINGS, SECONDARY CW (RETURN/SUPPLY) (TEMPERATURE), SECONDARY CW PUMP, STORM DRAIN, STORM DRAIN CLEAN-OUT, SEE ELECTRICAL DRAWINGS, SEASONAL ENERGY EFFICIENCY RATIO, SENSIBLE, SUPPLY FAN, SECONDARY HEATING HOT WATER (RETURN/SUPPLY) (TEMPERATURE), SIMILAR, SEE LANDSCAPE DRAWINGS, SHEET METAL, SMOKE DAMPER, SOLID VALUE, SOLID VALUE, STATIC PRESSURE, SPEED, SEE PLUMBING DRAWINGS, SPECIFICATIONS, SAFETY RELIEF VALVE, SANITARY SEWER, START/STOP, SEE STRUCTURAL DRAWINGS, STAINLESS STEEL, SOUND TRAP, STANDARD, STEAM, STRUCTURAL, STATUS, SWITCH, SQUARE TO ROUND TRANSITION, THERMOSTAT OR TEMPERATURE SENSOR (DOC) TO BE ABANDONED, TO BE REMOVED, TERTIARY CW (RETURN/SUPPLY) (TEMPERATURE), TERTIARY CW PUMP, TEMPERATURE CONTROL PANEL, TCH, TOTAL DYNAMIC HEAD, TH, TRIPLE DUTY VALVE, TB, TEMPERATURE, TAP, TRANSFER AIR GRILLE, T&G, TONGUE & GROOVE, TH, THERMOMETER, TEMPERATURE INDICATOR, TSD, TOP OF DUCT, TEST PLUG (PETS' PLUG), THROUGH ROOF, TRANSITION, TEMPERATURE SENSOR, TSD, TOTAL STATIC PRESSURE (N.W.G.), TUC, TERMINAL UNIT CONTROLLER, TYPICAL, UH, UNIT HEATER, U.O.A.L, UNLESS OTHERWISE NOTED, V OR VT, VENT, VACUUM, VARIABLE AIR VOLUME, VACUUM BREAKER, VARIABLE FREQUENCY DRIVE, VARIABLE SPEED DRIVE, VIBRATION ISOLATOR, VERIFY IN FIELD, VENT RISER, VENT THROUGH ROOF, W, WAITE, W, WITH, WET BALL, WATER COLUMN, WEATHER PROOF, WATER PRESSURE DROP (IT WATER), WT, WEIGHT, TRANSFORMER, TRANSFORMER

Salas O'Brien logo and contact information: 305 South 11th Street, San Jose, California 95112-2218, 877.725.2755 | 877.925.1477 (T), www.salasobrien.com, National Strength. Local Action.



10.10.1237 800MHz UPGRADE SKYLAND PEAK TOWER

Revision table with columns: ISSUE, MARK, DATE, DESCRIPTION. Includes entries for 01/14/20, 01/24/20, 02/06/21, 10/09/21 and sections for SOBE PROJECT NO., DATE, DRAWN BY, CHECKED BY, APPROVED BY, SHEET TITLE, MECHANICAL SYMBOLS & ABBREVIATIONS, SCALE: AS NOTED, THIS DRAWING IS 30" x 42" AT FULL SIZE, M-0.0



SALASOBRIEN
Expect a difference |

305 South 11th Street
San Jose, California 95112-2318
877.725.2795 | 877.925.1877 (0)
WWW.SALASOBRIEN.COM

National Strength,
Local Action.



10.10.1237
**800MHz UPGRADE
SKYLAND PEAK
TOWER**

ISSUE	DATE	DESCRIPTION
MARK		
	08/17/20	ISSUE NO.
	08/17/20	ISSUE DATE
		ISSUE BY
		ISSUE CHECKED BY
		ISSUE APPROVED BY

PROJECT NO:	210278
DATE:	10/10/2020
DRAWN BY:	AC
CHECKED BY:	AC
APPROVED BY:	AC

SHEET TITLE
**MECHANICAL
SITE PLAN PHASE 3 - DEMO**

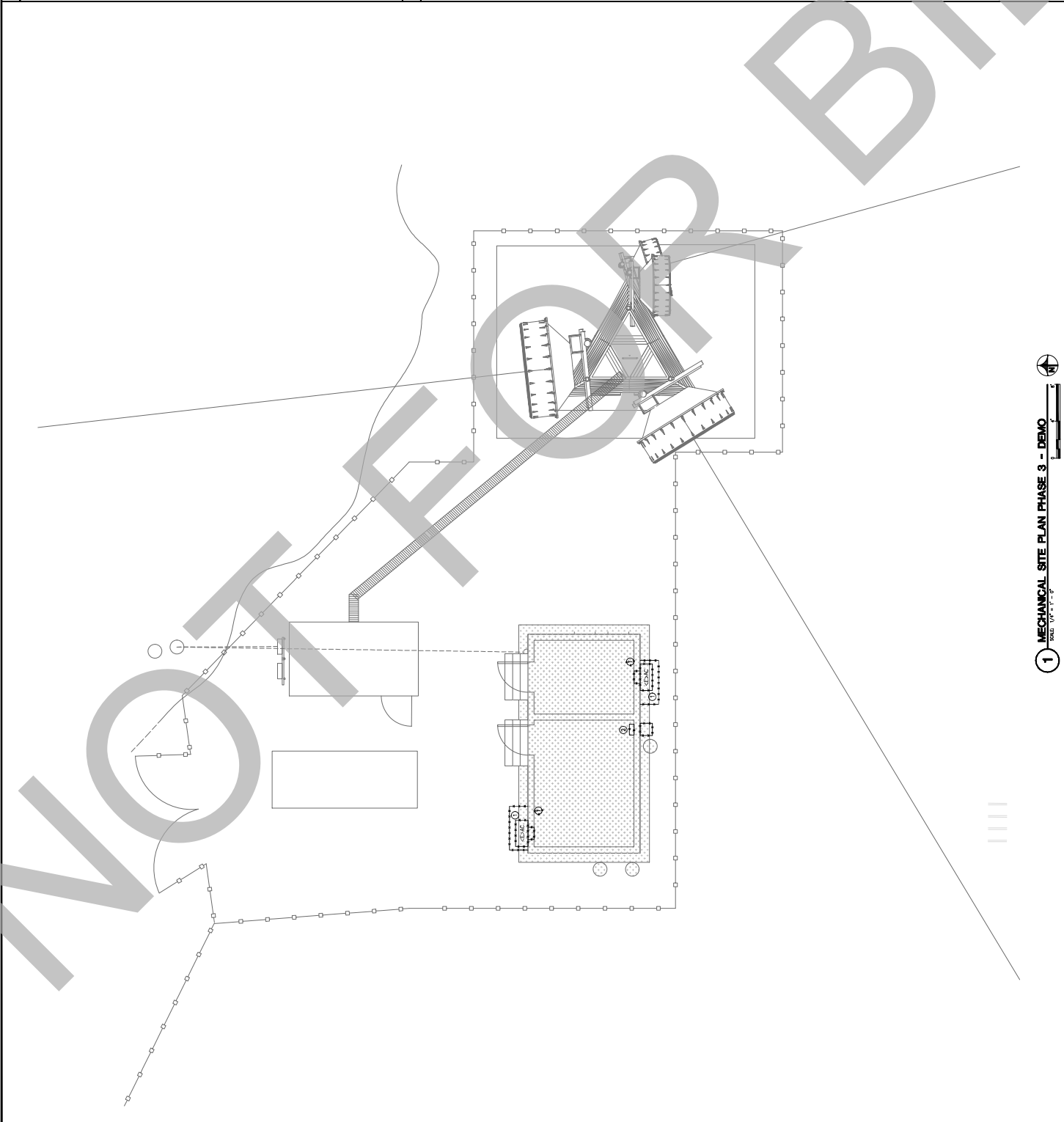
SCALE - AS NOTED
THIS DRAWING IS 24" X 36" AT FULL SIZE

MD-14

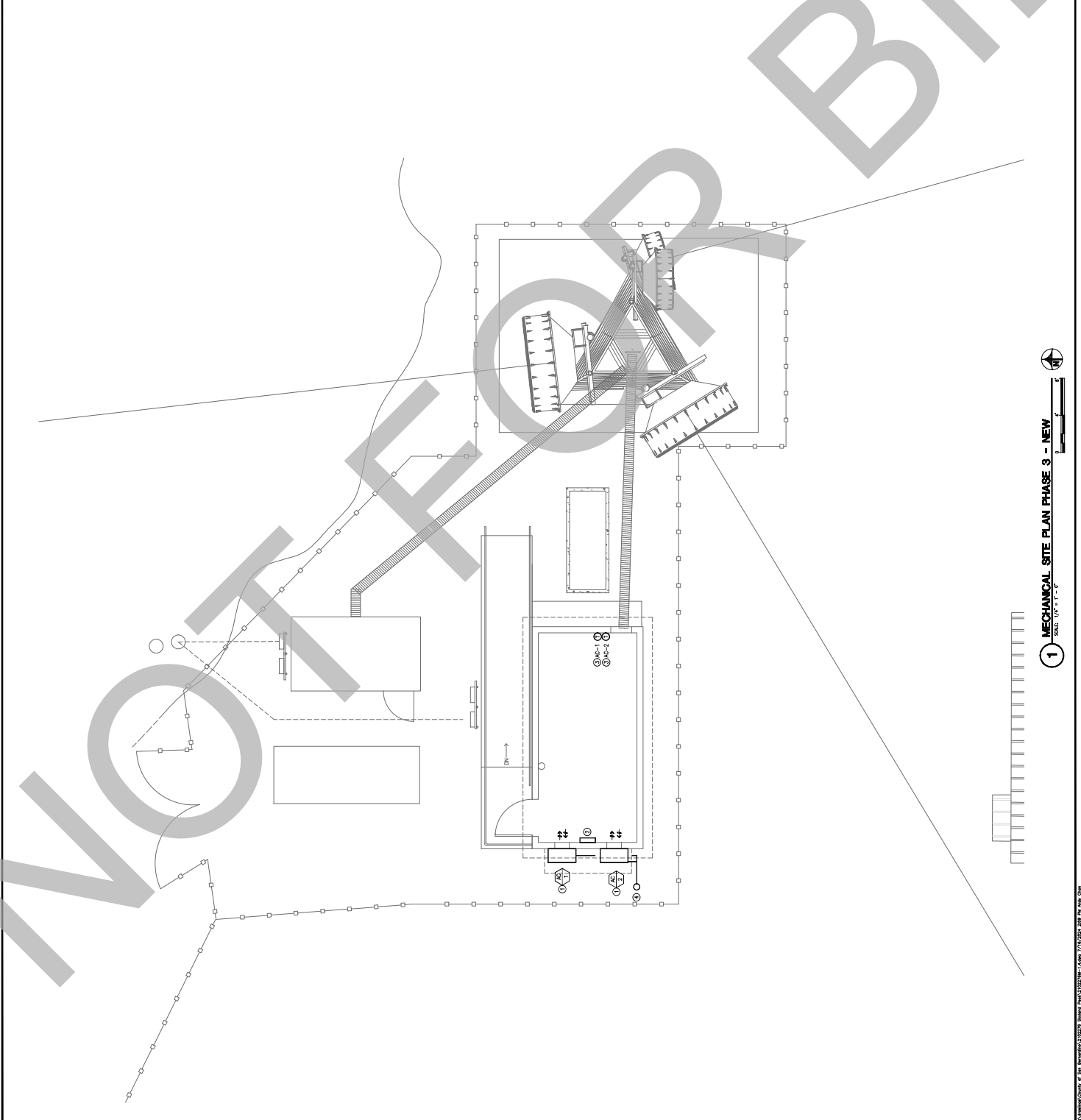
GENERAL SHEET NOTES

REFERENCE SHEET NOTES

1. RAO - GENERAL MOUNTED AND RAIL SECURITY CASE, CONTROLS, AND MOUNTING BRACKET.
2. RAO - GENERAL MOUNTED ET, CONTROLS, RAIN HOSES, AND APPEARANCES.



1 MECHANICAL SITE PLAN PHASE 3 - DEMO
SCALE: 1/8" = 1'-0"



1 MECHANICAL SITE PLAN PHASE 3 - NEW
SCALE: 1/8" = 1'-0"



Copyright © 2015 by S.M.S. ENGINEERS, INC. All rights reserved. This drawing is the property of S.M.S. ENGINEERS, INC.

GENERAL SHEET NOTES

- CONTRACTOR TO DISBURSE HVAC EQUIPMENT IS OPERATIONAL PRIOR TO COMMENCEMENT OF CONSTRUCTION.
- CONTRACTOR TO BE RESPONSIBLE FOR VERIFYING ALL RETURN GRILLES TO NOT ALLOW DIRT AND DEBRIS INTO EQUIPMENT DURING CONSTRUCTION. REPLACE AIR FILTERS AFTER STARTUP.

REFERENCE SHEET NOTES

- FINISH AND INSTALL ALL CONDENSING UNITS WITH RETURN GRILLES TO MATCH EXISTING. RETURN GRILLES TO BE INSTALLED WITH SECURITY CASE AROUND EQUIPMENT PER 2/A-S-2.
- FOR LIQ-LAG CONTROL PANEL ON WALL, SEE ELECTRICAL DRAWINGS FOR CONNECTIONS TO CONTROL PANEL. VERIFY ALL ELECTRICAL, PROGRAMMING, AND TUNING FOR POINTS LIST SCHEDULE.
- FOR WALL MOUNTED THERMOSTATS (4-HR/PT) AND CONNECT TO LIQ-LAG CONTROLLER.
- FOR HVAC CONDENSATE CONNECTED TO DRAINAGE PER DETAILS 1/A-S-1 AND 1/A-S-2.
- FOR ALL RETURN GRILLES MUST BE WITH CURVED AIR RETURN GRILLES. SUPPLY GRILLES FINISHED WITH VERTICAL FRONT BLADES. SIZE 30"x16". RETURN GRILLES: NUMBER 380 WITH 35 degree deflection. SIZE 30"x16".

SALASOBRIEN
Expect a difference!
305 South 11th Street
San Jose, California 95112-2318
877.25.2795 | 877.926.1877 (0)
WWW.SALASOBRIEN.COM
National Strength,
Local Action.



SAN BERNARDINO COUNTY
10.10.1237
**800MHz UPGRADE
SKYLAND PEAK
TOWER**

ISSUE	MARK	DATE	DESCRIPTION
	REVISED	10/10/12	ISSUE 1
	REVISED	10/10/12	ISSUE 2
	REVISED	10/10/12	ISSUE 3
	REVISED	10/10/12	ISSUE 4
	REVISED	10/10/12	ISSUE 5
	REVISED	10/10/12	ISSUE 6
	REVISED	10/10/12	ISSUE 7
	REVISED	10/10/12	ISSUE 8
	REVISED	10/10/12	ISSUE 9
	REVISED	10/10/12	ISSUE 10
	REVISED	10/10/12	ISSUE 11
	REVISED	10/10/12	ISSUE 12
	REVISED	10/10/12	ISSUE 13
	REVISED	10/10/12	ISSUE 14
	REVISED	10/10/12	ISSUE 15
	REVISED	10/10/12	ISSUE 16
	REVISED	10/10/12	ISSUE 17
	REVISED	10/10/12	ISSUE 18
	REVISED	10/10/12	ISSUE 19
	REVISED	10/10/12	ISSUE 20

PROJECT NO:	210279
DATE:	10/10/12
DRAWN BY:	AC
CHECKED BY:	AC
APPROVED BY:	AC

SHEET TITLE:	MECHANICAL SITE PLAN PHASE 3 - NEW
SCALE:	AS NOTED THIS DRAWING IS 30" X 42" AT FULL SIZE



10.10.1237
**800MHz UPGRADE
SKYLAND PEAK
TOWER**

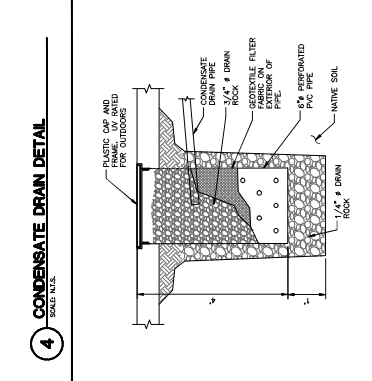
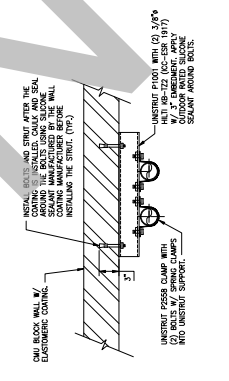
ISSUE	DATE	DESCRIPTION
REVISED	10/27/12	REVISED
PROJECT NO: 210227A DRAWN BY: 12/21/12 CHECKED BY: APPROVED BY:		
SHEET TITLE MECHANICAL EQUIPMENT & DETAILS		
SCALE: AS SHOWN	DATE: 10/27/12	SHEET NO. OF 10 FULL SIZE
M-51		

WALL MOUNTED PACKAGED AIR CONDITIONING UNIT SCHEDULE

MARK	ROOMS-SERVED	MAKE	MODEL	NOEL SUPPLY TONS	MIN ESP/IN.	COOLING		HEATING	ROR/C	VOLUME PER HOUR (AMPS)	MCA (AMPS)	HILTER	EER/SEER	OPPER. WATT/AMPS	NOTES	
						TOTAL CAP (TONS)	INS. REFRIG. (TONS)									
AC-1	TELECOM BUILDING	HARDOR	HESBPM45	5	0	0.15	39,000	41,000	17,000	5	2301860	43	60	THICK 11.3 (NA) MEV3	600	1, 2, 3, 4, 5, 6, 7
AC-2	TELECOM BUILDING	HARDOR	HESBPM45	5	0	0.15	39,000	41,000	17,000	5	2301860	43	60	THICK 11.3 (NA) MEV3	600	1, 2, 3, 4, 5, 6, 7

- NOTES:**
- INDOOR BLOWER MOTOR
 - 2 STAGE SCROLL COMPRESSOR
 - 40/60/80/100/120/140/160/180/200/220/240/260/280/300/320/340/360/380/400/420/440/460/480/500/520/540/560/580/600/620/640/660/680/700/720/740/760/780/800/820/840/860/880/900/920/940/960/980/1000/1020/1040/1060/1080/1100/1120/1140/1160/1180/1200/1220/1240/1260/1280/1300/1320/1340/1360/1380/1400/1420/1440/1460/1480/1500/1520/1540/1560/1580/1600/1620/1640/1660/1680/1700/1720/1740/1760/1780/1800/1820/1840/1860/1880/1900/1920/1940/1960/1980/2000/2020/2040/2060/2080/2100/2120/2140/2160/2180/2200/2220/2240/2260/2280/2300/2320/2340/2360/2380/2400/2420/2440/2460/2480/2500/2520/2540/2560/2580/2600/2620/2640/2660/2680/2700/2720/2740/2760/2780/2800/2820/2840/2860/2880/2900/2920/2940/2960/2980/3000/3020/3040/3060/3080/3100/3120/3140/3160/3180/3200/3220/3240/3260/3280/3300/3320/3340/3360/3380/3400/3420/3440/3460/3480/3500/3520/3540/3560/3580/3600/3620/3640/3660/3680/3700/3720/3740/3760/3780/3800/3820/3840/3860/3880/3900/3920/3940/3960/3980/4000/4020/4040/4060/4080/4100/4120/4140/4160/4180/4200/4220/4240/4260/4280/4300/4320/4340/4360/4380/4400/4420/4440/4460/4480/4500/4520/4540/4560/4580/4600/4620/4640/4660/4680/4700/4720/4740/4760/4780/4800/4820/4840/4860/4880/4900/4920/4940/4960/4980/5000/5020/5040/5060/5080/5100/5120/5140/5160/5180/5200/5220/5240/5260/5280/5300/5320/5340/5360/5380/5400/5420/5440/5460/5480/5500/5520/5540/5560/5580/5600/5620/5640/5660/5680/5700/5720/5740/5760/5780/5800/5820/5840/5860/5880/5900/5920/5940/5960/5980/6000/6020/6040/6060/6080/6100/6120/6140/6160/6180/6200/6220/6240/6260/6280/6300/6320/6340/6360/6380/6400/6420/6440/6460/6480/6500/6520/6540/6560/6580/6600/6620/6640/6660/6680/6700/6720/6740/6760/6780/6800/6820/6840/6860/6880/6900/6920/6940/6960/6980/7000/7020/7040/7060/7080/7100/7120/7140/7160/7180/7200/7220/7240/7260/7280/7300/7320/7340/7360/7380/7400/7420/7440/7460/7480/7500/7520/7540/7560/7580/7600/7620/7640/7660/7680/7700/7720/7740/7760/7780/7800/7820/7840/7860/7880/7900/7920/7940/7960/7980/8000/8020/8040/8060/8080/8100/8120/8140/8160/8180/8200/8220/8240/8260/8280/8300/8320/8340/8360/8380/8400/8420/8440/8460/8480/8500/8520/8540/8560/8580/8600/8620/8640/8660/8680/8700/8720/8740/8760/8780/8800/8820/8840/8860/8880/8900/8920/8940/8960/8980/9000/9020/9040/9060/9080/9100/9120/9140/9160/9180/9200/9220/9240/9260/9280/9300/9320/9340/9360/9380/9400/9420/9440/9460/9480/9500/9520/9540/9560/9580/9600/9620/9640/9660/9680/9700/9720/9740/9760/9780/9800/9820/9840/9860/9880/9900/9920/9940/9960/9980/10000

MECHANICAL EQUIPMENT & DETAILS



- MECHANICAL EQUIPMENT & DETAILS**
- CONDENSATE DRAIN DETAIL:**
- CONDENSATE DRAIN LINE SHALL BE INSTALLED WITH A MINIMUM SLOPE OF 1/8" PER FOOT.
 - CONDENSATE DRAIN LINE SHALL BE INSTALLED WITH A MINIMUM SLOPE OF 1/8" PER FOOT.
- DRYWELL DETAIL:**
- DRYWELL SHALL BE CONCRETE OR GUNNITE CONSTRUCTION.
 - DRYWELL SHALL BE INSTALLED WITH A MINIMUM SLOPE OF 1/8" PER FOOT.
- WALL MOUNTED HVAC EQUIPMENT DETAIL:**
- UNIT SHALL BE MOUNTED ON A WALL WITH A MINIMUM THICKNESS OF 4" CMU.
 - CONDENSATE DRAIN LINE SHALL BE INSTALLED WITH A MINIMUM SLOPE OF 1/8" PER FOOT.
 - CONDENSATE DRAIN LINE SHALL BE INSTALLED WITH A MINIMUM SLOPE OF 1/8" PER FOOT.



SALAS O'BRIEN
Expect a difference!

305 South 11th Street
San Jose, California 95112-2118
877.726.2795 | 877.926.1877 (0)
WWW.SALASO'BRIEN.COM

National Strength,
Local Action.



10.10.1237
800MHz UPGRADE
SKYLAND PEAK
TOWER

MARK	DATE	DESCRIPTION
	10/10/2019	ISSUE FOR PERMIT
	10/10/2019	ISSUE FOR PERMIT
	10/10/2019	ISSUE FOR PERMIT
	10/10/2019	ISSUE FOR PERMIT
	10/10/2019	ISSUE FOR PERMIT
	10/10/2019	ISSUE FOR PERMIT
	10/10/2019	ISSUE FOR PERMIT
	10/10/2019	ISSUE FOR PERMIT
	10/10/2019	ISSUE FOR PERMIT
	10/10/2019	ISSUE FOR PERMIT
	10/10/2019	ISSUE FOR PERMIT
	10/10/2019	ISSUE FOR PERMIT

PROJECT NO:	1002279
DATE:	10/10/2019
DRAWN BY:	CHAD
CHECKED BY:	AC
APPROVED BY:	AC

SHEET TITLE	
ELECTRICAL SITE PLAN PHASE 0 - DEMO	
SCALE:	AS SHOWN
THIS DRAWING IS NOT A PART OF FULL SIZE	

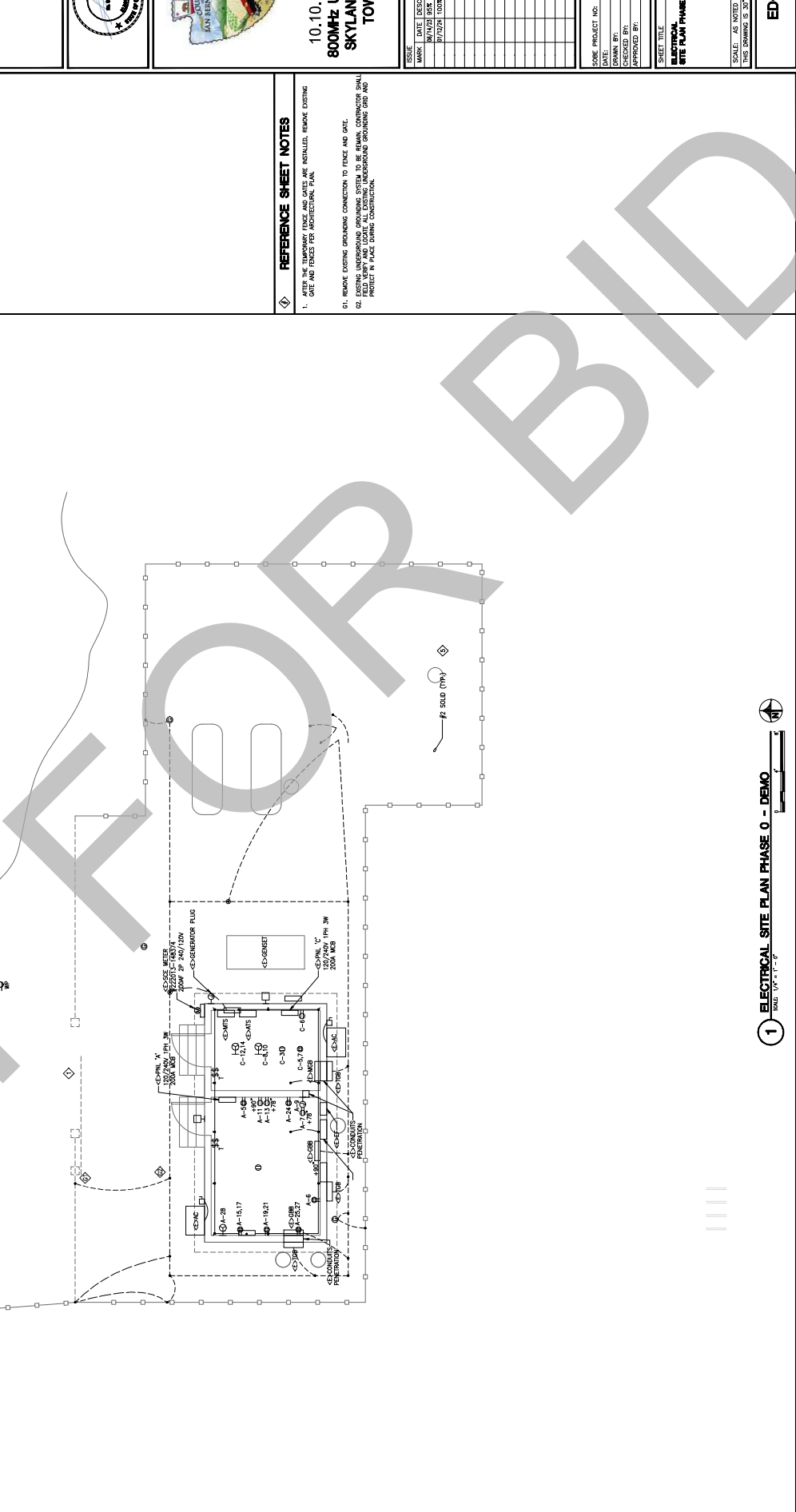
ED-11

GENERAL SHEET NOTES

- CONTRACTOR SHALL SEE SEQUENCE OF CONSTRUCTION AT SUMMARY OF WORK.
- CONTRACTOR SHALL VERIFY ALL EXISTING UNDERGROUND UTILITIES AND EQUIPMENT/ACCESS COMPONENTS PRIOR TO ANY DEMOLITION.
- CONTRACTOR SHALL FIELD VERIFY AND LOCATE ALL EXISTING GROUND CSD AND UNDERGROUND UTILITIES PRIOR TO ANY DEMOLITION. EXISTING GROUNDING SYSTEM SHALL BE MAINTAINED AND PROTECTED THROUGHOUT THE CONSTRUCTION PERIOD.
- CONTRACTOR SHALL SUBMIT METHOD OF PROCEDURE (MOP) TO COUNTY OF SAN BERNARDINO FOR APPROVAL PRIOR TO ANY POWER SHUTDOWNS/INTERFERENCES. EXISTING UNDERGROUND UTILITIES SHALL BE MAINTAINED AND PROTECTED THROUGHOUT THE CONSTRUCTION PERIOD. EXISTING GROUNDING SYSTEM SHALL BE MAINTAINED AND PROTECTED THROUGHOUT THE CONSTRUCTION PERIOD.
- CONTRACTOR IS RESPONSIBLE TO REPAIR AND RECONNECT WITH NEAR GROUND WIRE/GROUND RODS/GROUND PLATES.

REFERENCE SHEET NOTES

- AFTER THE TEMPORARY FENCE AND GATES ARE INSTALLED, REMOVE EXISTING GATE AND FENCES FOR PROTECTIVE FENCE.
- REMOVE EXISTING GROUNDING CONNECTION TO FENCE AND GATE.
- EXISTING UNDERGROUND GROUNDING SYSTEM TO BE REMAIN. CONTRACTOR SHALL PROTECT IN PLACE DURING CONSTRUCTION.



1 ELECTRICAL SITE PLAN PHASE 0 - DEMO
SCALE: 1/4" = 1'-0"