

No.	Utility	Size (in)	Material	Top Depth (ft)	Direction	Location	Surface
5	Dry Hole	N/A	N/A	N/A	N/A	West Bound on E Little 3rd Street, South of Address 24550	Soil



Photo 1



Photo 2



Photo 3



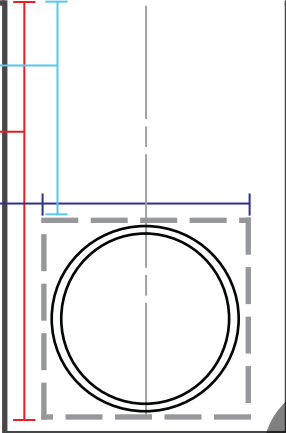
Photo 4

Comments:

Technician Name Joe Martinez		Date 12-19-2022	C Below Project No. 21-4320
Project Name PSR#D024 Potholing Investigation		Project Address Little Third St. & Little Tippecanoe Ave., East Valley, CA 92410	
Client Company KOA Corporation IE		Contact Alvin Abad	
Pothole No. 6	Location West Bound on E Little 3rd Street, at Pine Street Intersection		

Surface Type: Profile View (not to scale)

Thickness: (feet) Measured Distance from Finished Surface

Top: <input type="text" value="2.36"/> (feet)		<p>Notes:</p> <p>Approximate Coordinates: 34.1047107, -117.2689391</p>
Bottom: <input type="text" value="3.03"/> (feet)		
Size: <input type="text" value="8"/> (in)		
Utility: <input type="text" value="Water"/>		
Material: <input type="text" value="ACP"/>		
Direction: <input type="text" value="E-W"/>		

PHYSICAL SWING TIE INFORMATION

No.	Distance (ft)	Dir.	From Permanent Existing Fixture	No.	Distance (ft)	Dir.	From Permanent Existing Fixture	No.	Distance (ft)	Dir.	From Permanent Existing Fixture
1	29.60	SE	Fire Hydrant	2	14.80	NE	Sewer MH	3	35.40	SW	End of Curb

LOCATION DETAIL



No.	Utility	Size (in)	Material	Top Depth (ft)	Direction	Location	Surface
6	Water	8	ACP	2.36	E-W	West Bound on E Little 3rd Street, at Pine Street Intersection	Asphalt



Photo 1



Photo 2



Photo 3



Photo 4

Comments:

Technician Name Joe Martinez		Date 12-19-2022	C Below Project No. 21-4320
Project Name PSR#D024 Potholing Investigation		Project Address Little Third St. & Little Tippecanoe Ave., East Valley, CA 92410	
Client Company KOA Corporation IE		Contact Alvin Abad	
Pothole No. 7	Location West Bound on E Little 3rd Street, at Pine Street Intersection		

Surface Type: Profile View (not to scale)
Measured Distance from Finished Surface

Thickness: (feet)

Top: (feet)

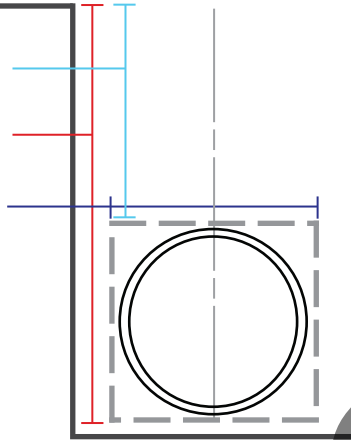
Bottom: (feet)

Size: (in)

Utility:

Material:

Direction:



Notes:

Approximate Coordinates: 34.1046993, -117.2689338

PHYSICAL SWING TIE INFORMATION

No.	Distance (ft)	Dir.	From Permanent Existing Fixture	No.	Distance (ft)	Dir.	From Permanent Existing Fixture	No.	Distance (ft)	Dir.	From Permanent Existing Fixture
1	33.00	SE	Fire Hydrant	2	16.20	NE	Sewer MH	3	33.40	SW	End of Curb

LOCATION DETAIL



No.	Utility	Size (in)	Material	Top Depth (ft)	Direction	Location	Surface
7	Water	20	Concrete	4.34	N-S	West Bound on E Little 3rd Street, at Pine Street Intersection	Asphalt



Photo 1



Photo 2



Photo 3



Photo 4

Comments:

Technician Name Joe Martinez		Date 12-19-2022	C Below Project No. 21-4320
Project Name PSR#D024 Potholing Investigation		Project Address Little Third St. & Little Tippecanoe Ave., East Valley, CA 92410	
Client Company KOA Corporation IE		Contact Alvin Abad	
Pothole No. 8	Location West Bound on E Little 3rd Street, South of Address 24624		

Surface Type: Profile View (not to scale)
 Measured Distance from Finished Surface

Thickness: (feet)

Top: (feet)

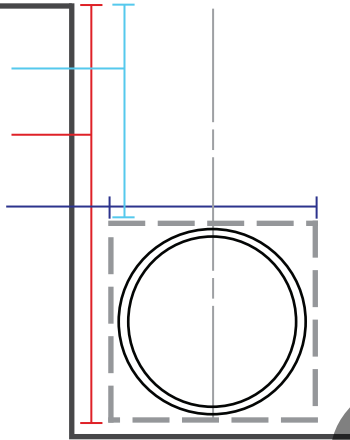
Bottom: (feet)

Size: (in)

Utility:

Material:

Direction:



Notes:

Approximate Coordinates: 34.1047288, -117.2684691
 Multiple utilities were exposed.

PHYSICAL SWING TIE INFORMATION

No.	Distance (ft)	Dir.	From Permanent Existing Fixture	No.	Distance (ft)	Dir.	From Permanent Existing Fixture	No.	Distance (ft)	Dir.	From Permanent Existing Fixture
1	5.00	S	Water Meter	2	27.30	N	Edge of Asphalt	3	21.30	SE	End of Fence

LOCATION DETAIL



No.	Utility	Size (in)	Material	Top Depth (ft)	Direction	Location	Surface
8	Water	½	Copper	2.84	N-S	West Bound on E Little 3rd Street, South of Address 24624	Soil



Photo 1



Photo 2



Photo 3



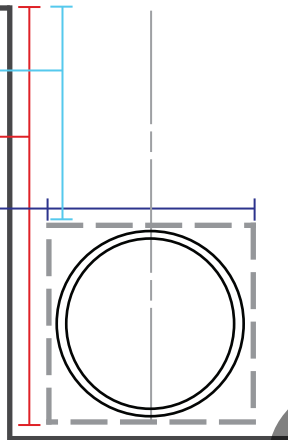
Photo 4

Comments:

Technician Name Joe Martinez		Date 12-19-2022	C Below Project No. 21-4320
Project Name PSR#D024 Potholing Investigation		Project Address Little Third St. & Little Tippecanoe Ave., East Valley, CA 92410	
Client Company KOA Corporation IE		Contact Alvin Abad	
Pothole No. 8.1	Location West Bound on E Little 3rd Street, South of Address 24624		

Surface Type:
 Thickness: (feet)

Profile View (not to scale)
 Measured Distance from Finished Surface



Notes:

FOR BID

PHYSICAL SWING TIE INFORMATION

No.	Distance (ft)	Dir.	From Permanent Existing Fixture	No.	Distance (ft)	Dir.	From Permanent Existing Fixture	No.	Distance (ft)	Dir.	From Permanent Existing Fixture
1	5.00	S	Water Meter	2	27.30	N	Edge of Asphalt	3	21.30	SE	Corner of Fence

LOCATION DETAIL



No.	Utility	Size (in)	Material	Top Depth (ft)	Direction	Location	Surface
8.1	Gas	2	Steel	4.18	E-W	West Bound on E Little 3rd Street, South of Address 24624	Soil



Photo 1



Photo 2



Photo 3



Photo 4

Comments:

Technician Name Joe Martinez		Date 02-01-2023	C Below Project No. 21-4320
Project Name PSR#D024 Potholing Investigation		Project Address Little Third St. & Little Tippecanoe Ave., East Valley, CA 92410	
Client Company KOA Corporation IE		Contact Alvin Abad	
Pothole No. 9	Location West Bound on E Little 3rd Street, South of Address 24624		

Surface Type: Profile View (not to scale)
 Measured Distance from Finished Surface

Thickness: (feet)

Top: (feet)

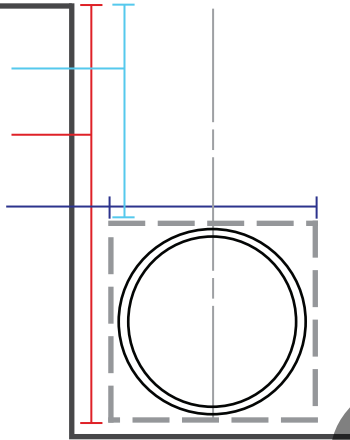
Bottom: (feet)

Size: (in)

Utility:

Material:

Direction:



Notes:

Approximate Coordinates: 34.1047396, -117.2684550
 Dry Hole at 6.82 ft. deep.
 Pothole was cleared of utilities on stake location for future street light.

PHYSICAL SWING TIE INFORMATION

No.	Distance (ft)	Dir.	From Permanent Existing Fixture	No.	Distance (ft)	Dir.	From Permanent Existing Fixture	No.	Distance (ft)	Dir.	From Permanent Existing Fixture
1	5.70	E	Water Meter	2	21.20	W	Property Line/Corner of Fe ₊	3	32.70	N	Edge of Asphalt

LOCATION DETAIL



No.	Utility	Size (in)	Material	Top Depth (ft)	Direction	Location	Surface
9	Dry Hole	N/A	N/A	N/A	N/A	West Bound on E Little 3rd Street, South of Address 24624	Soil



Photo 1



Photo 2



Photo 3



Photo 4

Comments:

Technician Name Joe Martinez		Date 02-01-2023	C Below Project No. 21-4320
Project Name PSR#D024 Potholing Investigation		Project Address Little Third St. & Little Tippecanoe Ave., East Valley, CA 92410	
Client Company KOA Corporation IE		Contact Alvin Abad	
Pothole No. 10	Location West Bound on E Little 3rd Street, South of Address 24632		

Surface Type: Profile View (not to scale)

Thickness: (feet) Measured Distance from Finished Surface

Top: (feet)

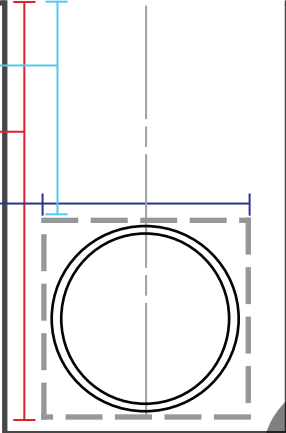
Bottom: (feet)

Size: (in)

Utility:

Material:

Direction:



Notes:

Approximate Coordinates: 34.1047088, -117.2682384
 Dry Hole at 8.72 ft. deep.
 No Sewer exposed on stake location, possibly deeper, cannot go deeper due to soil conditions. It kept collapsing and really sandy.

PHYSICAL SWING TIE INFORMATION

No.	Distance (ft)	Dir.	From Permanent Existing Fixture	No.	Distance (ft)	Dir.	From Permanent Existing Fixture	No.	Distance (ft)	Dir.	From Permanent Existing Fixture
1	18.70	SE	Water Meter	2	28.40	SW	Power Pole	3	19.60	N	Edge of Asphalt

LOCATION DETAIL



No.	Utility	Size (in)	Material	Top Depth (ft)	Direction	Location	Surface
10	Dry Hole	N/A	N/A	N/A	N/A	West Bound on E Little 3rd Street, South of Address 24632	Asphalt



Photo 1



Photo 2

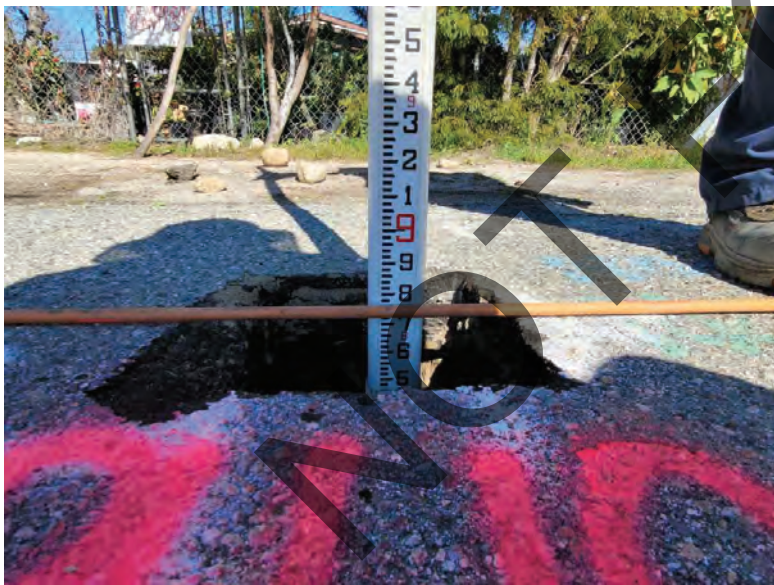


Photo 3



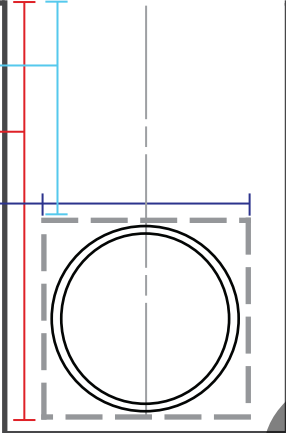
Photo 4

Comments:

Technician Name Joe Martinez		Date 12-14-2022	C Below Project No. 21-4320
Project Name PSR#D024 Potholing Investigation		Project Address Little Third St. & Little Tippecanoe Ave., East Valley, CA 92410	
Client Company KOA Corporation IE		Contact Alvin Abad	
Pothole No. 11	Location West Bound on E Little 3rd Street, South West of Address 24686		

Surface Type: Profile View (not to scale)

Thickness: (feet) Measured Distance from Finished Surface

Top: <input type="text" value="1.98"/> (feet)		<p>Notes:</p> <p>Approximate Coordinates: 34.1047046, -117.2674378</p> <p>Multiple utilities were exposed.</p>
Bottom: <input type="text" value="2.14"/> (feet)		
Size: <input type="text" value="2"/> (in)		
Utility: <input type="text" value="Gas"/>		
Material: <input type="text" value="Steel"/>		
Direction: <input type="text" value="E-W"/>		

PHYSICAL SWING TIE INFORMATION

No.	Distance (ft)	Dir.	From Permanent Existing Fixture	No.	Distance (ft)	Dir.	From Permanent Existing Fixture	No.	Distance (ft)	Dir.	From Permanent Existing Fixture
1	80.00	E	Vent	2	7.80	S	Fence Line	3	70.00	W	Power Pole

LOCATION DETAIL



No.	Utility	Size (in)	Material	Top Depth (ft)	Direction	Location	Surface
11	Gas	2	Steel	1.98	E-W	West Bound on E Little 3rd Street, South West of Address 24686	Soil



Photo 1



Photo 2

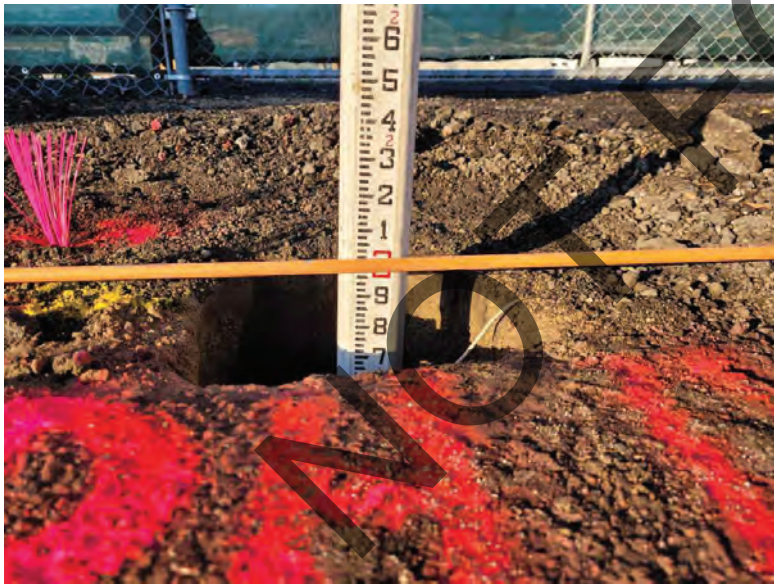


Photo 3



Photo 4

Comments:

Technician Name Joe Martinez		Date 12-14-2022	C Below Project No. 21-4320
Project Name PSR#D024 Potholing Investigation		Project Address Little Third St & Little Tippecanoe Ave East Valley, CA 92410	
Client Company KOA Corporation IE		Contact Alvin Abad	
Pothole No. 11.1	Location West Bound on E Little 3rd Street, South West of Address 24686		

Surface Type: Profile View (not to scale)
 Measured Distance from Finished Surface
 Thickness: (feet)

Notes:



PHYSICAL SWING TIE INFORMATION

No.	Distance (ft)	Dir.	From Permanent Existing Fixture	No.	Distance (ft)	Dir.	From Permanent Existing Fixture	No.	Distance (ft)	Dir.	From Permanent Existing Fixture
1	80.00	E	Vent	2	7.20	S	Fence Line	3	70.00	W	Power Pole

LOCATION DETAIL



No.	Utility	Size (in)	Material	Top Depth (ft)	Direction	Location	Surface
11.1	Unknown	3	Steel	1.68	E-W	West Bound on E Little 3rd Street, South West of Address 24686	Soil



Photo 1



Photo 2

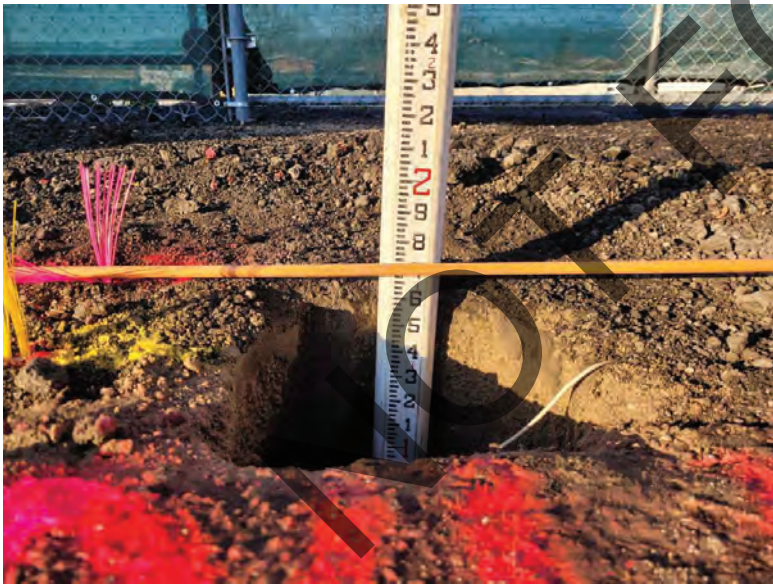


Photo 3

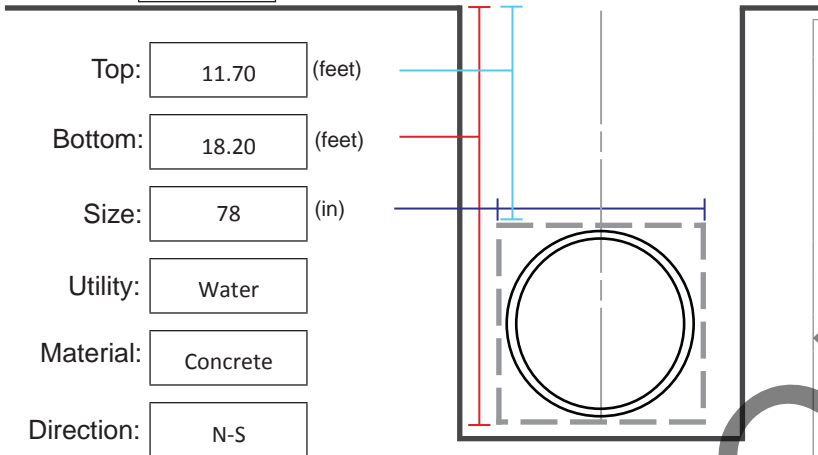


Photo 4

Comments:

Technician Name Joe Martinez		Date 12-14-2022	C Below Project No. 21-4320
Project Name PSR#D024 Potholing Investigation		Project Address Little Third St. & Little Tippecanoe Ave., East Valley, CA 92410	
Client Company KOA Corporation IE		Contact Alvin Abad	
Pothole No. 12	Location East Bound on E Little 3rd Street, at Pedley Road Intersection		

Surface Type: Profile View (not to scale)
 Thickness: (feet) Measured Distance from Finished Surface



Notes:
 Approximate Coordinates: 34.1046688, -117.2668135
 Hard to determine if line is turning due to size of line and depth.

PHYSICAL SWING TIE INFORMATION

No.	Distance (ft)	Dir.	From Permanent Existing Fixture	No.	Distance (ft)	Dir.	From Permanent Existing Fixture	No.	Distance (ft)	Dir.	From Permanent Existing Fixture
1	15.80	W	Sewer MH	2	25.80	N	Sewer MH #2	3	18.50	SE	East Water Valve

LOCATION DETAIL



No.	Utility	Size (in)	Material	Top Depth (ft)	Direction	Location	Surface
12	Water	78	Concrete	11.70	N-S	East Bound on E Little 3rd Street, at Pedley Road Intersection	Asphalt



Photo 1



Photo 2



Photo 3

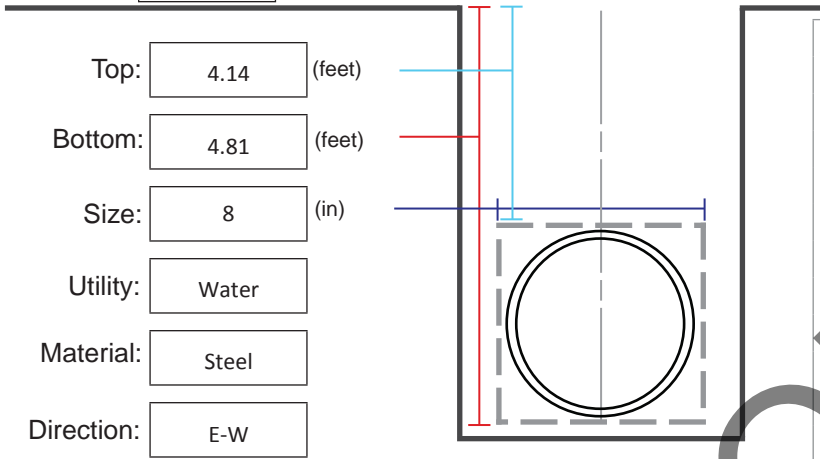


Photo 4

Comments:

Technician Name Joe Martinez		Date 12-14-2022	C Below Project No. 21-4320
Project Name PSR#D024 Potholing Investigation		Project Address Little Third St. & Little Tippecanoe Ave., East Valley, CA 92410	
Client Company KOA Corporation IE		Contact Alvin Abad	
Pothole No. 13	Location West Bound on E Little 3rd Street, at Pedley Road Intersection		

Surface Type: Profile View (not to scale)
 Thickness: (feet) Measured Distance from Finished Surface



Notes:
 Approximate Coordinates: 34.1047082, -117.2667743

PHYSICAL SWING TIE INFORMATION

No.	Distance (ft)	Dir.	From Permanent Existing Fixture	No.	Distance (ft)	Dir.	From Permanent Existing Fixture	No.	Distance (ft)	Dir.	From Permanent Existing Fixture
1	12.00	NW	Sewer MH	2	23.40	E	East Water Valve	3	41.80	SE	Water MH

LOCATION DETAIL



No.	Utility	Size (in)	Material	Top Depth (ft)	Direction	Location	Surface
13	Water	8	Steel	4.14	E-W	West Bound on E Little 3rd Street, at Pedley Road Intersection	Asphalt



Photo 1



Photo 2



Photo 3



Photo 4

Comments:

Technician Name Joe Martinez		Date 12-14-2022	C Below Project No. 21-4320
Project Name PSR#D024 Potholing Investigation		Project Address Little Third St. & Little Tippecanoe Ave., East Valley, CA 92410	
Client Company KOA Corporation IE		Contact Alvin Abad	
Pothole No. 14	Location West Bound on E Little 3rd Street, South West of Address 24726		

Surface Type: Profile View (not to scale)

Thickness: (feet) Measured Distance from Finished Surface

Top: (feet)

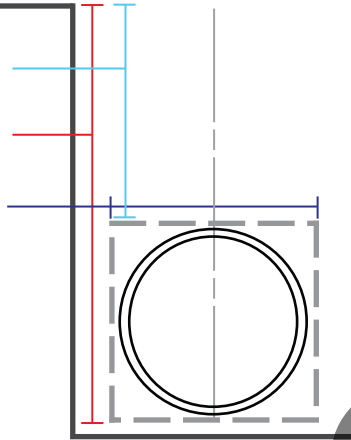
Bottom: (feet)

Size: (in)

Utility:

Material:

Direction:



Notes:

Approximate Coordinates: 34.1047091, -117.2660786

PHYSICAL SWING TIE INFORMATION

No.	Distance (ft)	Dir.	From Permanent Existing Fixture	No.	Distance (ft)	Dir.	From Permanent Existing Fixture	No.	Distance (ft)	Dir.	From Permanent Existing Fixture
1	15.90	SW	Power Pole	2	40.70	SE	Corner of Fence	3		N	Picture Taken North

LOCATION DETAIL



No.	Utility	Size (in)	Material	Top Depth (ft)	Direction	Location	Surface
14	Gas	2	Steel	4.26	E-W	West Bound on E Little 3rd Street, South West of Address 24726	Soil



Photo 1



Photo 2



Photo 3



Photo 4

Comments:

Technician Name Joe Martinez		Date 12-14-2022	C Below Project No. 21-4320
Project Name PSR#D024 Potholing Investigation		Project Address Little Third St. & Little Tippecanoe Ave., East Valley, CA 92410	
Client Company KOA Corporation IE		Contact Alvin Abad	
Pothole No. 15	Location West Bound on E Little 3rd Street, South East of Address 24741		

Surface Type: Profile View (not to scale)

Thickness: (feet) Measured Distance from Finished Surface

Top: (feet)

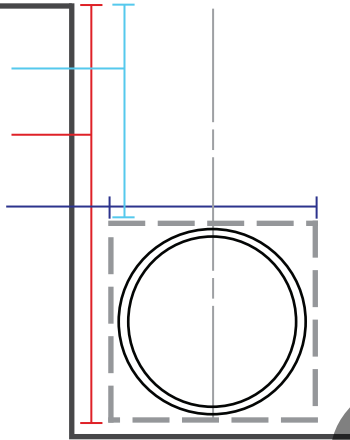
Bottom: (feet)

Size: (in)

Utility:

Material:

Direction:



Notes:

Approximate Coordinates: 34.1047274, -117.2654821

PHYSICAL SWING TIE INFORMATION

No.	Distance (ft)	Dir.	From Permanent Existing Fixture	No.	Distance (ft)	Dir.	From Permanent Existing Fixture	No.	Distance (ft)	Dir.	From Permanent Existing Fixture
1	10.70	SW	Power Pole	2	20.80	W	Fire Hydrant	3	36.40	NW	Sewer MH

LOCATION DETAIL



No.	Utility	Size (in)	Material	Top Depth (ft)	Direction	Location	Surface
15	Water	8	ACP	2.82	E-W	West Bound on E Little 3rd Street, South East of Address 24741	Soil



Photo 1



Photo 2



Photo 3



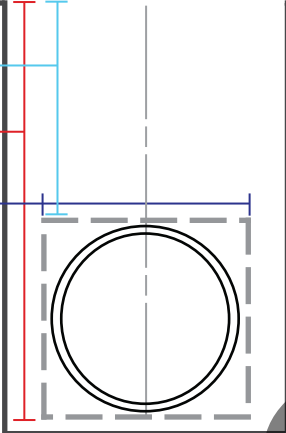
Photo 4

Comments:

Technician Name Joe Martinez		Date 12-14-2022	C Below Project No. 21-4320
Project Name PSR#D024 Potholing Investigation		Project Address Little Third St. & Little Tippecanoe Ave., East Valley, CA 92410	
Client Company KOA Corporation IE		Contact Alvin Abad	
Pothole No. 16	Location West Bound on E Little 3rd Street, at Whitlock Avenue Intersection		

Surface Type: Profile View (not to scale)

Thickness: (feet) Measured Distance from Finished Surface

Top: <input type="text" value="3.16"/> (feet)		<p>Notes:</p> <p>Approximate Coordinates: 34.1047035, -117.2639697</p>
Bottom: <input type="text" value="3.83"/> (feet)		
Size: <input type="text" value="8"/> (in)		
Utility: <input type="text" value="Water"/>		
Material: <input type="text" value="ACP"/>		
Direction: <input type="text" value="E-W"/>		

PHYSICAL SWING TIE INFORMATION

No.	Distance (ft)	Dir.	From Permanent Existing Fixture	No.	Distance (ft)	Dir.	From Permanent Existing Fixture	No.	Distance (ft)	Dir.	From Permanent Existing Fixture
1	17.80	E	Fire Hydrant	2	40.10	N	Street Sign	3	15.10	NW	Sewer MH

LOCATION DETAIL



No.	Utility	Size (in)	Material	Top Depth (ft)	Direction	Location	Surface
16	Water	8	ACP	3.16	E-W	West Bound on E Little 3rd Street, at Whitlock Avenue Intersection	Soil



Photo 1



Photo 2



Photo 3



Photo 4

Comments:

Technician Name Joe Martinez		Date 12-19-2022	C Below Project No. 21-4320
Project Name PSR#D024 Potholing Investigation		Project Address Little Third St. & Little Tippecanoe Ave., East Valley, CA 92410	
Client Company KOA Corporation IE		Contact Alvin Abad	
Pothole No. 17	Location West Bound on E Little 3rd Street, at Sunnyside Ave. Intersection		

Surface Type: Profile View (not to scale)

Thickness: (feet) Measured Distance from Finished Surface

Top: (feet)

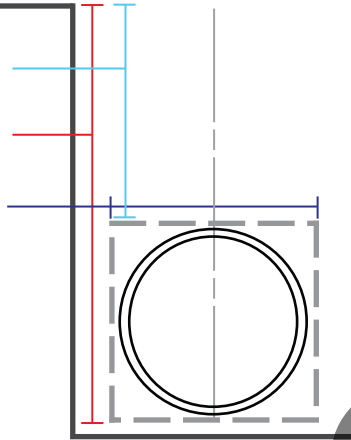
Bottom: (feet)

Size: (in)

Utility:

Material:

Direction:



Notes:

Approximate Coordinates: 34.1046802, -117.2625454

PHYSICAL SWING TIE INFORMATION

No.	Distance (ft)	Dir.	From Permanent Existing Fixture	No.	Distance (ft)	Dir.	From Permanent Existing Fixture	No.	Distance (ft)	Dir.	From Permanent Existing Fixture
1	35.00	SE	Fire Hydrant	2	12.00	NE	Sewer MH	3	34.90	SW	Power Pole

LOCATION DETAIL



No.	Utility	Size (in)	Material	Top Depth (ft)	Direction	Location	Surface
17	Water	8	Concrete	2.92	E-W	West Bound on E Little 3rd Street, at Sunnyside Ave. Intersection	Soil



Photo 1



Photo 2



Photo 3



Photo 4

Comments:

Technician Name Joe Martinez		Date 12-19-2022	C Below Project No. 21-4320
Project Name PSR#D024 Potholing Investigation		Project Address Little Third St. & Little Tippecanoe Ave., East Valley, CA 92410	
Client Company KOA Corporation IE		Contact Alvin Abad	
Pothole No. 18	Location West Bound on E Little 3rd Street, West of Little Tippecanoe Ave.		

Surface Type: Profile View (not to scale)
 Measured Distance from Finished Surface

Thickness: (feet)

Top: (feet)

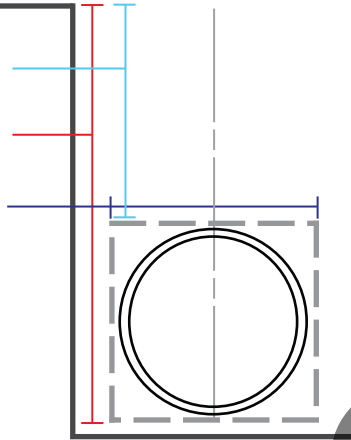
Bottom: (feet)

Size: (in)

Utility:

Material:

Direction:



Notes:

Approximate Coordinates: 34.1046999, -117.2615423

PHYSICAL SWING TIE INFORMATION

No.	Distance (ft)	Dir.	From Permanent Existing Fixture	No.	Distance (ft)	Dir.	From Permanent Existing Fixture	No.	Distance (ft)	Dir.	From Permanent Existing Fixture
1	101.40	W	Power Pole	2	107.60	E	Power Pole	3		N	Picture Taken North

LOCATION DETAIL



No.	Utility	Size (in)	Material	Top Depth (ft)	Direction	Location	Surface
18	Water	8	ACP	3.22	E-W	West Bound on E Little 3rd Street, West of Little Tippecanoe Ave.	Soil



Photo 1



Photo 2



Photo 3



Photo 4

Comments:

Technician Name Joe Martinez		Date 02-01-2023	C Below Project No. 21-4320
Project Name PSR#D024 Potholing Investigation		Project Address Little Third St. & Little Tippecanoe Ave., East Valley, CA 92410	
Client Company KOA Corporation IE		Contact Alvin Abad	
Pothole No. 19	Location South East of 8148 Little Tippecanoe Ave on Dirt Road		

Surface Type: Profile View (not to scale)

Thickness: (feet) Measured Distance from Finished Surface

Top: (feet)

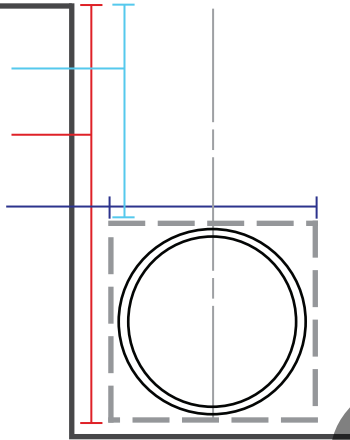
Bottom: (feet)

Size: (in)

Utility:

Material:

Direction:



Notes:

Approximate Coordinates: 34.1048776, -117.2612449

Dry Hole at 6.22 ft. deep.

Pothole was cleared of utilities on stake location for future street light.

PHYSICAL SWING TIE INFORMATION

No.	Distance (ft)	Dir.	From Permanent Existing Fixture	No.	Distance (ft)	Dir.	From Permanent Existing Fixture	No.	Distance (ft)	Dir.	From Permanent Existing Fixture
1	61.10	N	Power Pole	2	49.60	SW	Street Sign	3		E	Picture Taken East

LOCATION DETAIL



No.	Utility	Size (in)	Material	Top Depth (ft)	Direction	Location	Surface
19	Dry Hole	N/A	N/A	N/A	N/A	South East of 8148 Little Tippecanoe Ave on Dirt Road	Soil



Photo 1



Photo 2



Photo 3



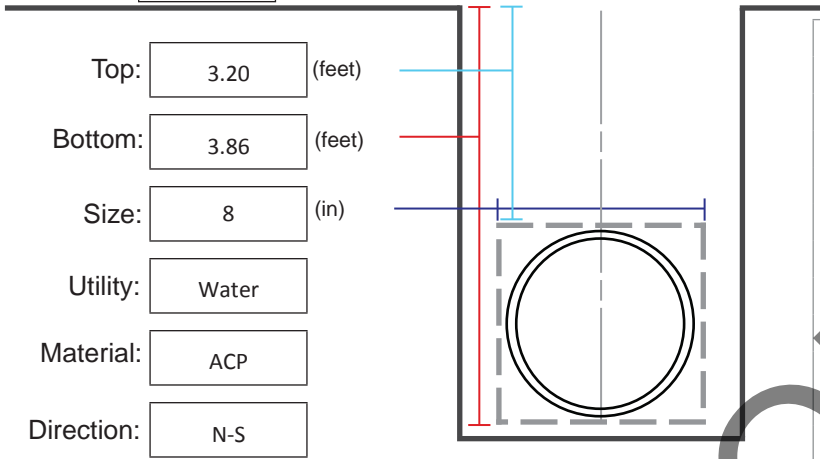
Photo 4

Comments:

Technician Name Abraham Padilla		Date 12-12-2022	C Below Project No. 21-4320
Project Name PSR#D024 Potholing Investigation		Project Address Little Third St. & Little Tippecanoe Ave., East Valley, CA 92410	
Client Company KOA Corporation IE		Contact Alvin Abad	
Pothole No. 20	Location South Bound on Little Tippecanoe Ave., North of E Little 3rd Street		

Surface Type: Profile View (not to scale)

Thickness: (feet) Measured Distance from Finished Surface



Notes:

Potholed on USA marks for water.
Approximate Coordinates: 34.1050533, -117.2611641

PHYSICAL SWING TIE INFORMATION

No.	Distance (ft)	Dir.	From Permanent Existing Fixture	No.	Distance (ft)	Dir.	From Permanent Existing Fixture	No.	Distance (ft)	Dir.	From Permanent Existing Fixture
1	N/A	E	Facing East	2	N/A	W	Facing West	3	11.00	NE	Sign

LOCATION DETAIL

