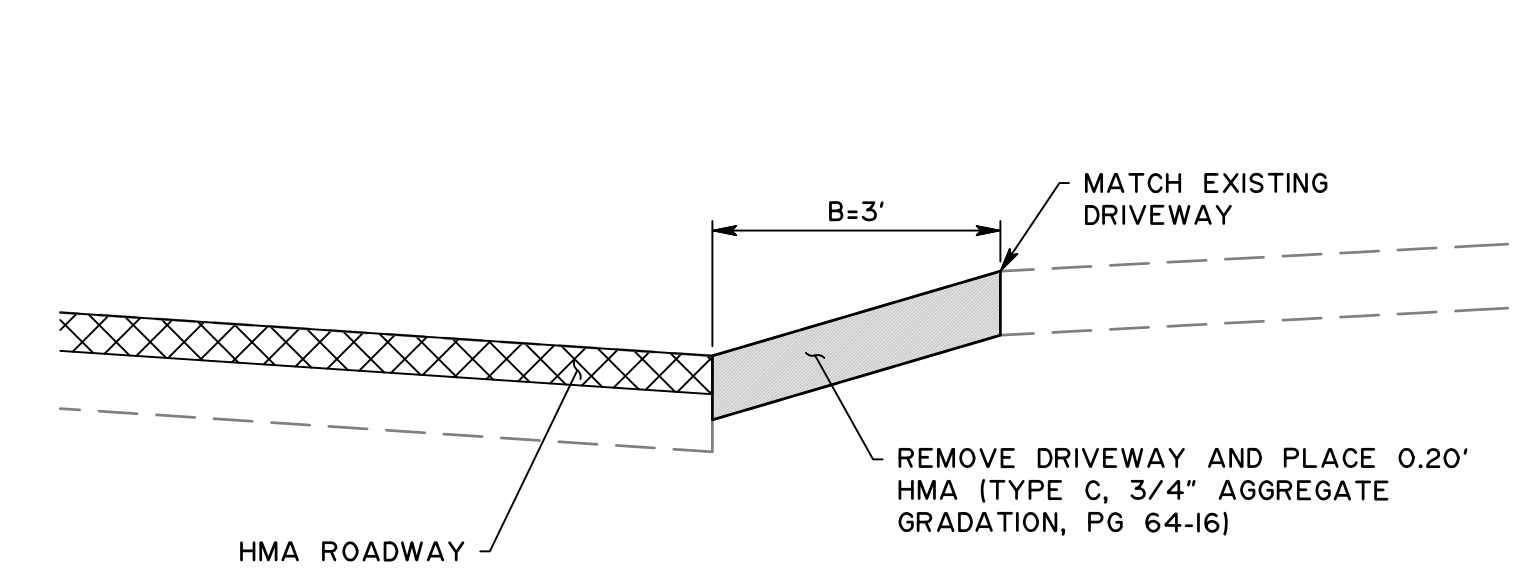
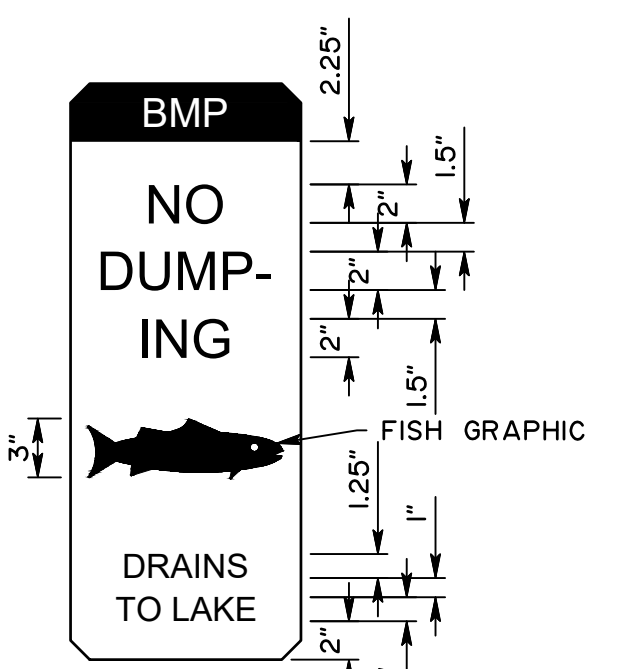


DRIVEWAY DETAIL
NTS

E.P. OR T.C. RETURN DATA				
CE	RADIUS	DELTA	LENGTH	TANGENT
C1	8.00'	089°00'19"	12.43'	7.86'
C2	8.00'	092°09'26"	12.87'	8.31'

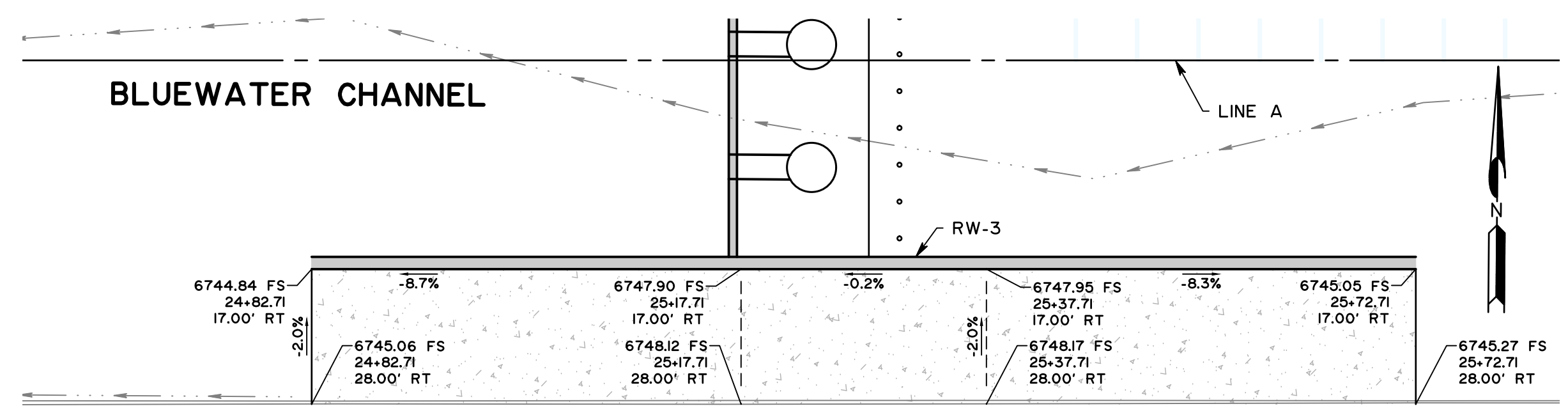


HMA DRIVEWAY DETAIL
NTS

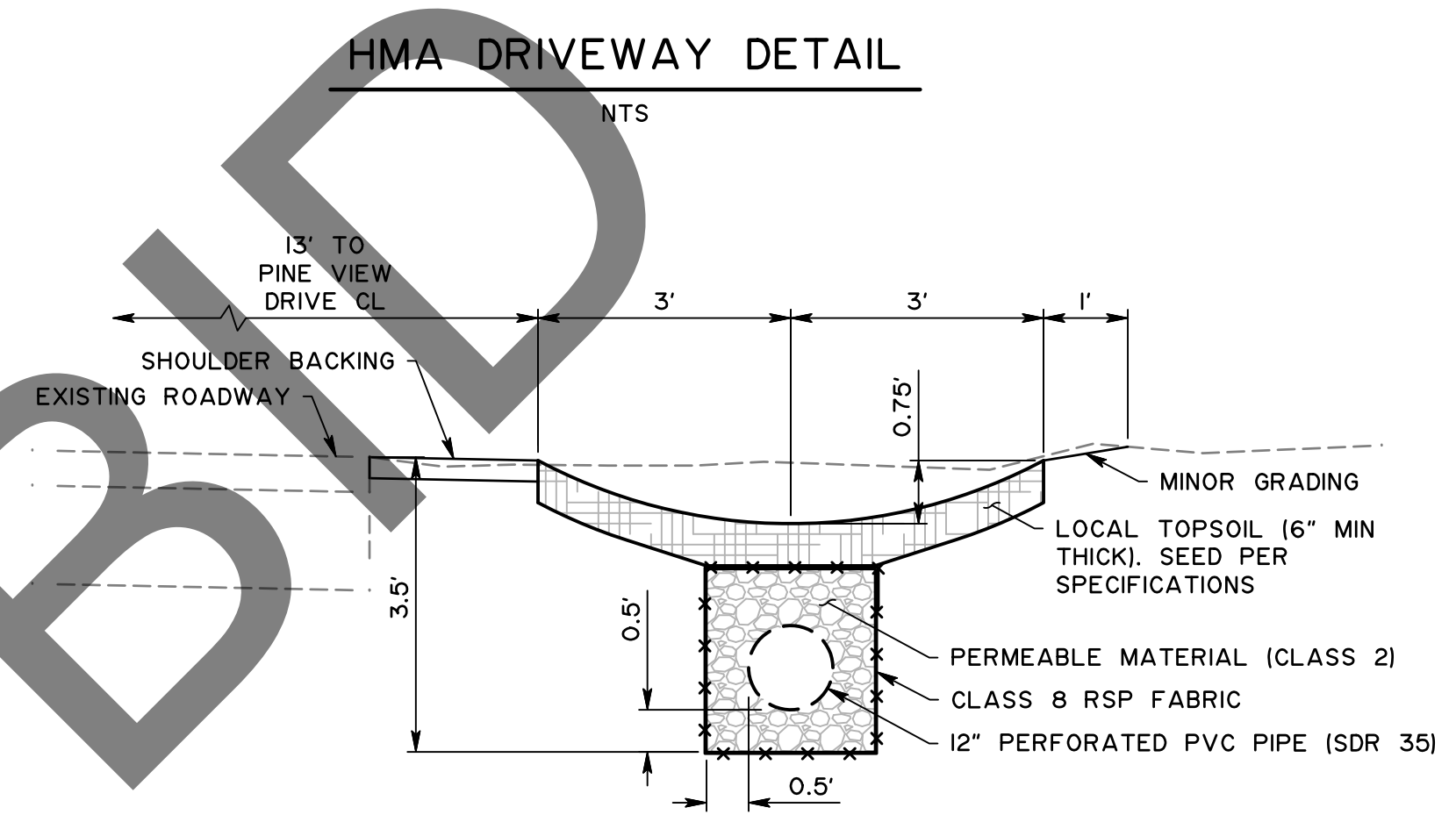


INLET MARKER DETAIL
NTS

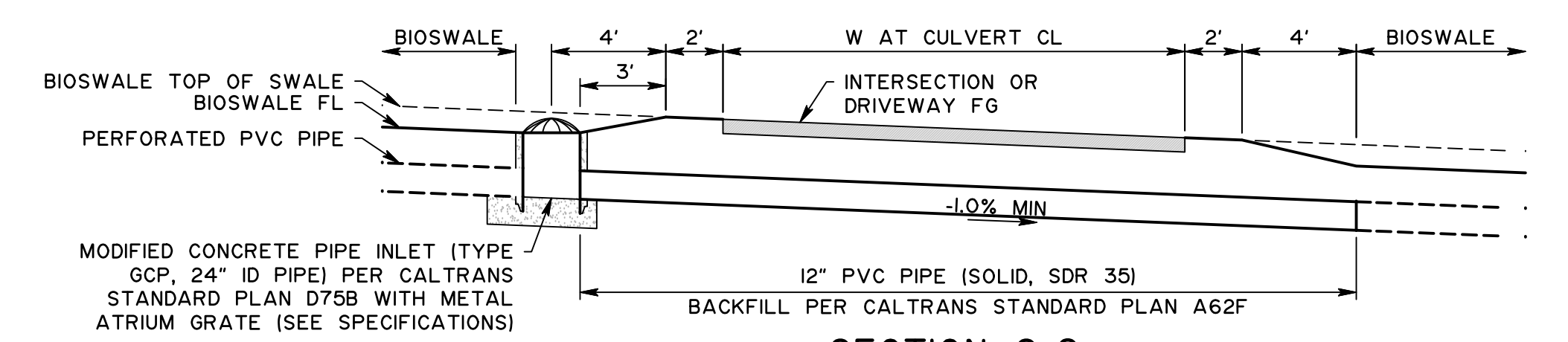
FOR DETAILS NOT SHOWN, SEE TBMP MARKER DETAIL ON CALTRANS STANDARD PLAN A73B



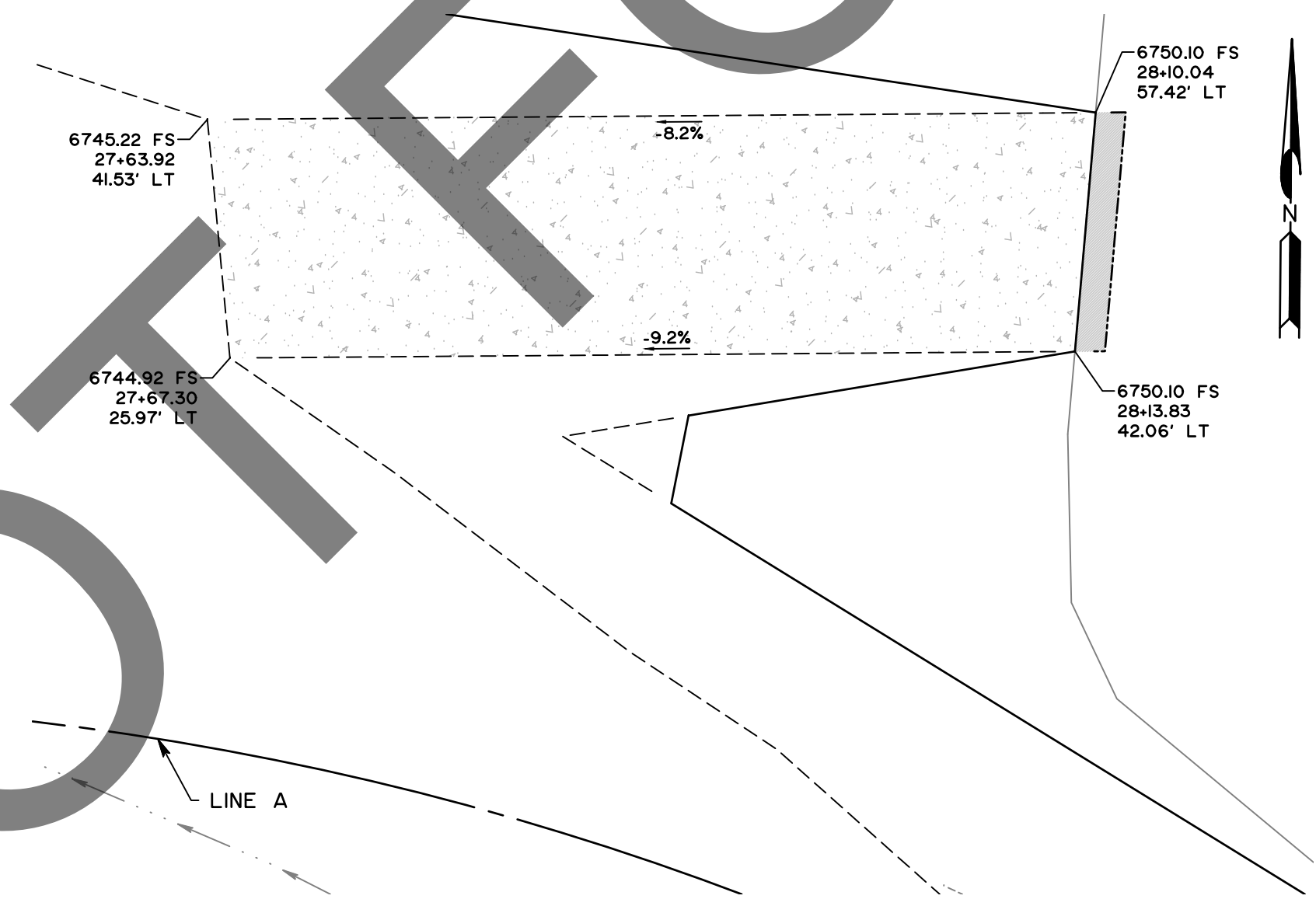
DRIVEWAY DETAIL
NTS



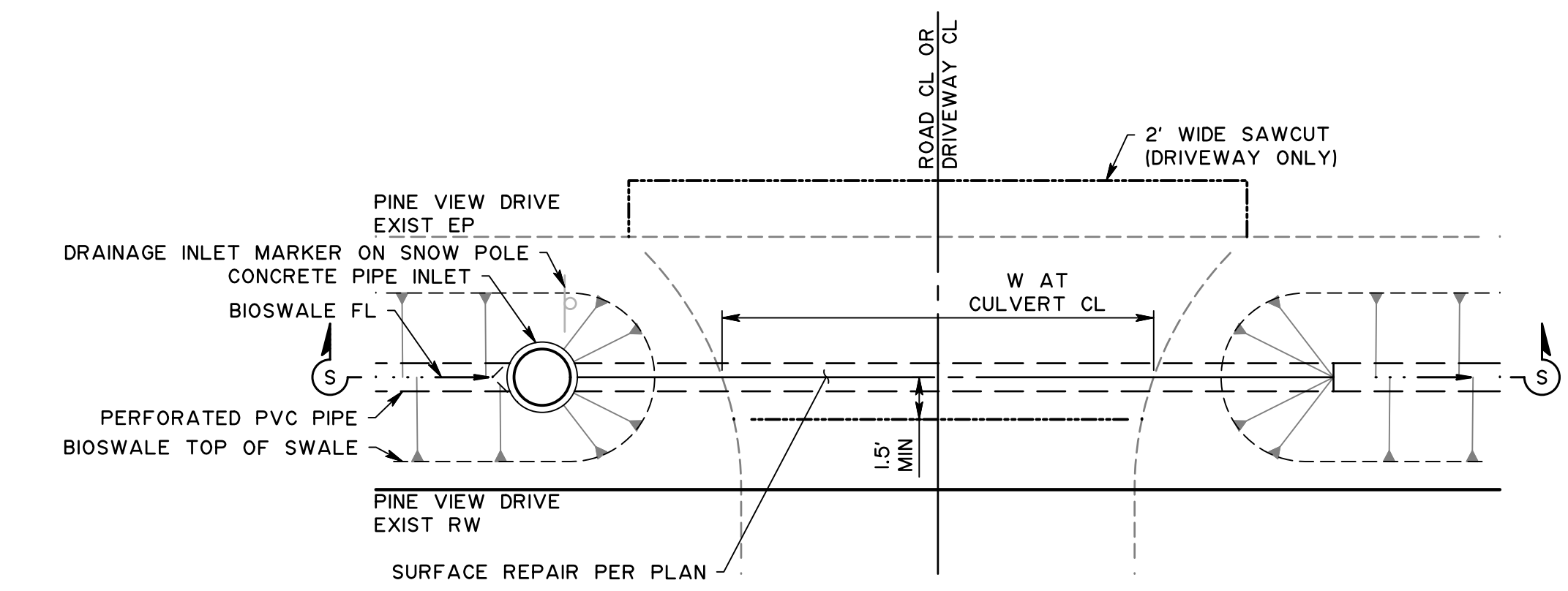
PINE VIEW DRIVE BIOSWALE DETAIL
NTS



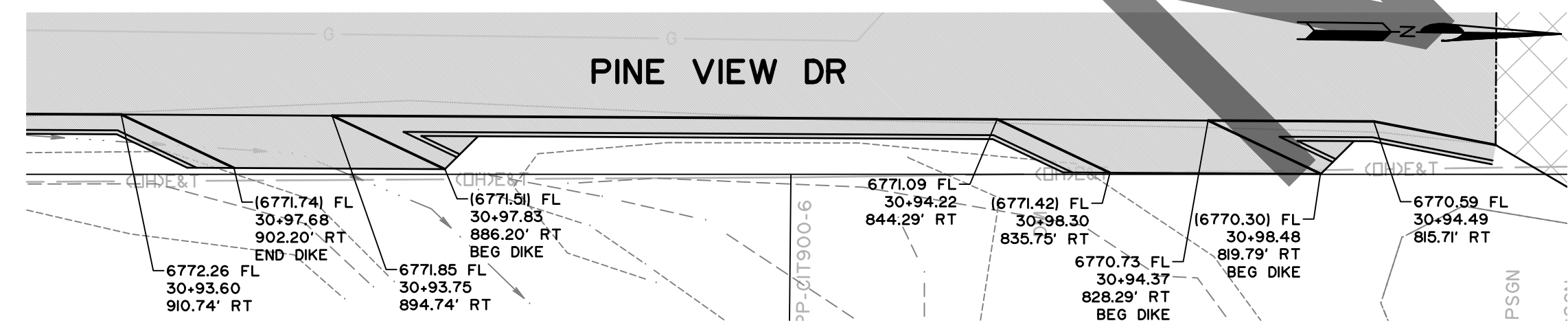
SECTION S-S
NTS



DRIVEWAY DETAIL
NTS



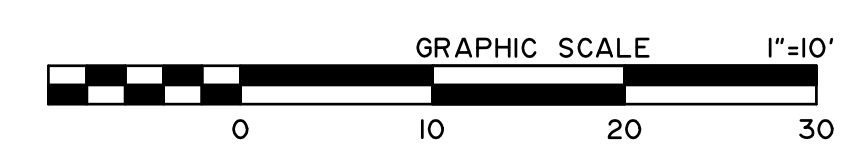
BIOSWALE CULVERT
NTS



OVERSIDE DRAINS DETAIL
NTS



PRELIMINARY
NOT FOR CONSTRUCTION
100% REVIEW



MARK	CHANGES	RESIDENT ENGINEER	DATE



SAN BERNARDINO COUNTY DEPARTMENT OF PUBLIC WORKS			
DESIGNED BY: SP	DRAWN BY: MY	CHECKED BY: MI	RECOMMENDED BY: 8/8/24
APPROVED BY: 07/15/24			DATE: 8/9/24
MICHAEL IP, P.E. MNS ENGINEERS, INC.		MERVAT N. MIKHAIL, P.E. DEPUTY DIRECTOR	

PINE VIEW DRIVE AND BLUE WATER CHANNEL CONSTRUCTION DETAILS DRIVEWAY DETAILS				
J.L. REF: I2091	W.O. NO: H15190	PLAN SCALE: 1"=10'	SHT. ID: CD-2	SHT. NO: 28 / 28

MARK	REVISIONS	DATE